



• Angled Jack Presentation

• Industry Standard 6C Dimensions

• 25 Year System Warranty

Product Description

The 6C 45 degree outlet is a low profile module that has been developed to give the user a reliable cabling outlet that reduces the space required both in front of the outlet and behind in the ducting. Designed for use in the floor box to prevent crushing of the patch cord as it exits the outlet, it is equally at home in a wall or desk outlet.

This 6C angled outlet has been designed to survive the dusty environment of a floor box, the integral shutter ensures that foreign bodies can not damage the pins within the jack.

The integral labelling window offers the customer an ideal method of identifying each outlet. The clear window is designed to magnify the ports identity and protect the label from dust.

Features and Benefits

- Exceeds ISO/IEC 11801 and ANSI/TIA/EIA 568-C.2 performance standards
- Minimal depth in front of module
- Angled jack presentation
- Manufactured to exacting ISO 9001 quality standards
- Shutter to ensure dust free operation
- Rear cable tie point
- Clear labelling
- Magnified window to protect label
- RoHS compliant - lead free
- Backward compatible with Cat5 and voice
- 110 IDC termination

Product Description	Ordering Code	UNS Number
6C 45 degree RJ45 Cat5E Outlet	6C-ANG-C5E/WH	852-30039

Technical Description

The HellermannTyton 6C 45 degree module is an industry standard 6C sized connector, enabling 2 modules to be fitted in a single gang face plate or four modules into a double gang face plate.

The connector uses the HellermannTyton Keystone RJ45 Modular Jack which incorporates a cable management clip for rear strain relief and a clear wire colouring and numbering label to ensure error free termination.

Tested to exceed all ISO/IEC 11801 and ANSI/TIA/EIA 568-C.2 performance standards.

The 'Alpha Label' software package, available for download at www.htdata.co.uk enables straight forward port labelling.

Dimensions and Product Construction Specification

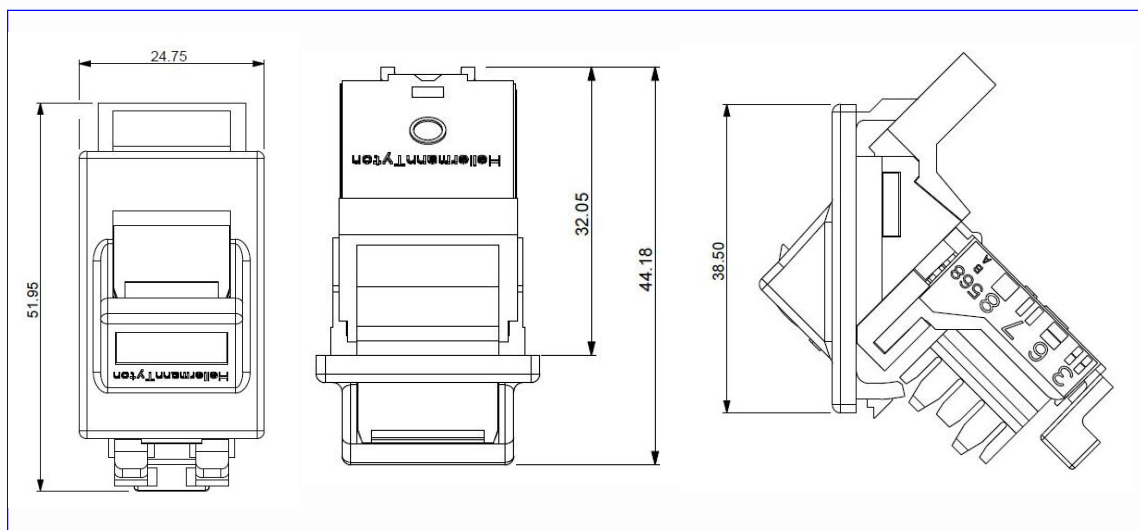
Ordering Code	Height	Width	Depth below plate (installed with cables)	Height above plate (installed with cables)
6C-ANG-C5E/WH	38.50mm	24.75mm	30.05mm	12.00mm

- Jack life min. 1000 insertions
- Max. of two wires per IDC contact (same gauge)
- Module material - ABS/Nylon
- Wire gauge 22-24 AWG
- IDC life up to 50 re-insertions

Applications Supported

The 6C 45 degree Cat5E outlet is designed to support any data or voice protocol that is capable of running over a Cat5E cabling system and is backward compatible with existing Cat5 and voice network infrastructure.

Technical Drawings

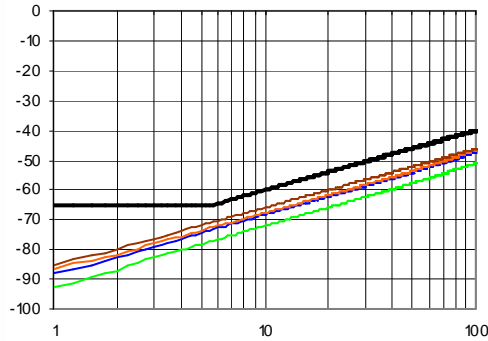


For Panel cut outs the hole needs to be XXMM x XXMM on a panel thickness of XXMM.

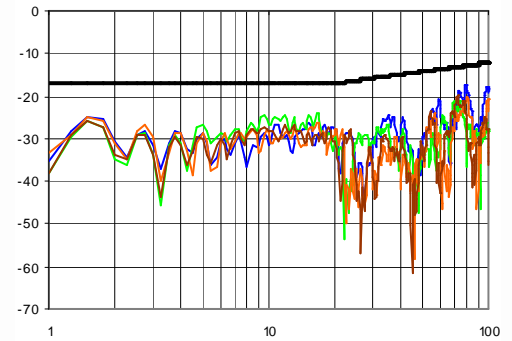
**Connecting Hardware Test
(Outlet only)**

Tested from: 1 MHz
Tested to: 100 MHz
Standard: ISO/IEC 11801 and ANSI/TIA/EIA 568-C.2
Limits: Cat5E - Connector

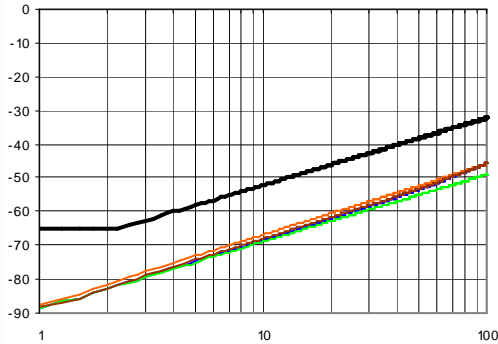
PS NEXT



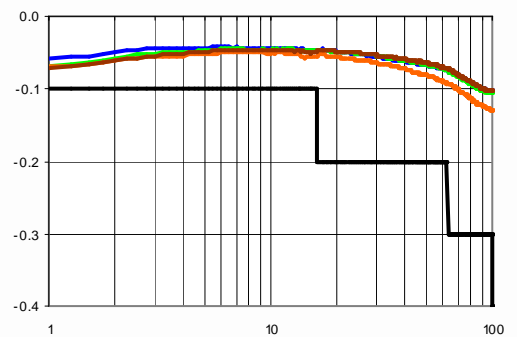
Return Loss



PS FEXT



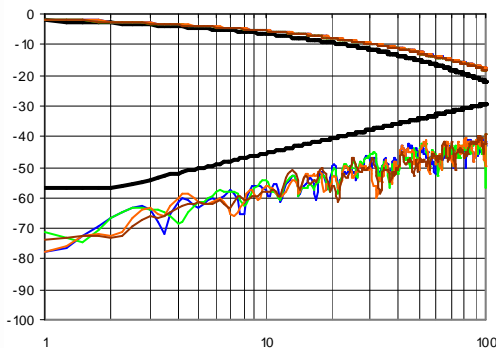
Attenuation



**Permanent Link Test
(Cable, Patch Panel, Outlet, Transition Point)**

Tested from: 1 MHz
Tested to: 100 MHz
Standard: ISO/IEC 11801 and ANSI/TIA/EIA 568-C.2
Limits: Cat5E - Link

Link PS NEXT & Attenuation



Tel: +44 (0) 1604 707420
Web: www.htdata.co.uk
Email: sales@htdata.co.uk