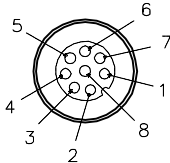
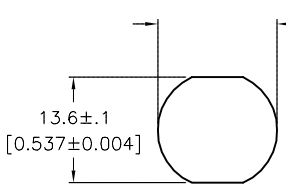
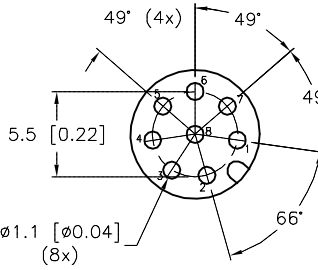
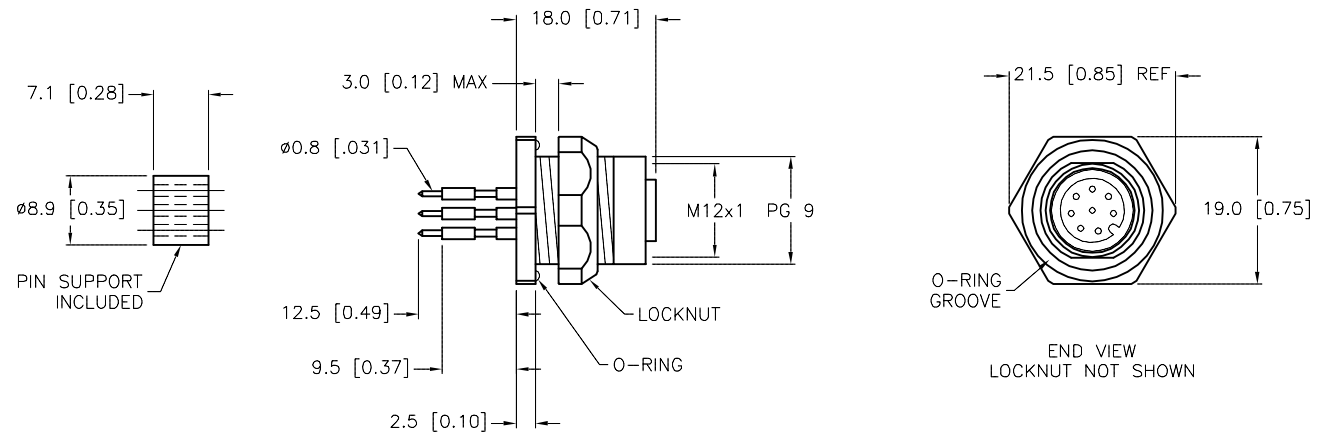
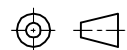


FEMALE END VIEW	TYPICAL PANEL CUTOUT	TYPICAL BOARD LAYOUT	SPECIFICATIONS																	
		 <p>SCALE: 2=1</p>	<table border="1"> <tr><td>CONTACT CARRIER MATERIAL/COLOR</td><td>NYLON OR TPU/BLACK</td></tr> <tr><td>CONTACT MATERIAL/PLATING</td><td>BRASS/GOLD</td></tr> <tr><td>HOUSING/LOCKNUT MATERIAL/PLATING</td><td>BRASS/NICKEL</td></tr> <tr><td>RATED CURRENT [A]</td><td>1.5 A</td></tr> <tr><td>RATED VOLTAGE [V]</td><td>60 VAC/75 VDC</td></tr> <tr><td>NUMBER OF CONDUCTORS [AWG]</td><td>PRINTED CIRCUIT PINS</td></tr> <tr><td>TEMPERATURE RATING</td><td>-40°C TO +90°C (-40°F TO +194°F)</td></tr> <tr><td>PROTECTION CLASS</td><td>MEETS NEMA 1,3,4,6P AND IEC IP68</td></tr> </table>	CONTACT CARRIER MATERIAL/COLOR	NYLON OR TPU/BLACK	CONTACT MATERIAL/PLATING	BRASS/GOLD	HOUSING/LOCKNUT MATERIAL/PLATING	BRASS/NICKEL	RATED CURRENT [A]	1.5 A	RATED VOLTAGE [V]	60 VAC/75 VDC	NUMBER OF CONDUCTORS [AWG]	PRINTED CIRCUIT PINS	TEMPERATURE RATING	-40°C TO +90°C (-40°F TO +194°F)	PROTECTION CLASS	MEETS NEMA 1,3,4,6P AND IEC IP68	
CONTACT CARRIER MATERIAL/COLOR	NYLON OR TPU/BLACK																			
CONTACT MATERIAL/PLATING	BRASS/GOLD																			
HOUSING/LOCKNUT MATERIAL/PLATING	BRASS/NICKEL																			
RATED CURRENT [A]	1.5 A																			
RATED VOLTAGE [V]	60 VAC/75 VDC																			
NUMBER OF CONDUCTORS [AWG]	PRINTED CIRCUIT PINS																			
TEMPERATURE RATING	-40°C TO +90°C (-40°F TO +194°F)																			
PROTECTION CLASS	MEETS NEMA 1,3,4,6P AND IEC IP68																			



SOURCE DRAWING - FOR REFERENCE ONLY

RELATED DOCUMENTS 1. 2. 3. 4.	3RD ANGLE PROJECTION 	THIS DRAWING IS CONFIDENTIAL AND THE PROPERTY OF TURCK INC. USE OF THIS DOCUMENT WITHOUT WRITTEN PERMISSION IS PROHIBITED.	3000 CAMPUS DRIVE MINNEAPOLIS, MN 55441 1-800-544-7769 (763) 553-7300 (763) 553-0708 fax turck.com	
MATERIAL SEE SPECIFICATIONS	ALL DIMENSIONS DISPLAYED ON THIS DRAWING ARE FOR REFERENCE ONLY	DRFT CBM DATE 06/20/00 APVD SCALE 1=1.0	DESCRIPTION FKFD 8	
FINISH SEE SPECIFICATIONS	CONTACT TURCK FOR MORE INFORMATION	UNIT OF MEASUREMENT MILLIMETER [INCH]		IDENTIFICATION NO. U4501-3 REV D
D UPDATE VOLTAGE RATING	RDS 05/07/14 45688	DO NOT SCALE THIS DRAWING		
REV DESCRIPTION	BY DATE ECO NO.	FILE: U4501-3	SHEET 1 OF 1	