



**Double actuator pushbutton, 1N/O+1N/C, + LED
85-264VAC, screw connection**



Powering Business Worldwide™

Part no. M22-DDL-GR-X1/X0/
K11/230-W
Article no. 216509
Catalog No. M22-DDLGR-
X1X0K11QWQ

Delivery programme

Product range
Basic function
Single unit/Complete unit
Description
Button plate

RMQ-Titan (drilling dimensions 22.5 mm)
Double actuators
Complete unit
85 - 264 V AC

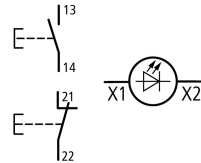


momentary

1 N/O

1 NC

⊕ = safety function, by positive opening to IEC/EN 60947-5-1



Bezel: Silver
no

Function
Contacts
N/O = Normally open
N/C = Normally closed

Notes

Contact sequence

Front ring
Connection to SmartWire-DT

Approvals

Product Standards
UL File No.
UL Category Control No.
CSA File No.
CSA Class No.
North America Certification
Degree of Protection

IEC/EN 60947-5; UL 508; CSA-C22.2 No. 14-05; CSA-C22.2 No. 94-91; CE marking
E29184
NKCR
012528
3211-03
UL listed, CSA certified
UL/CSA Type 3R, 4X, 12, 13

General

Standards
Lifespan, mechanical
Operating frequency
Actuating force
Protection type
Climatic proofing
Ambient temperature
Open
Mounting position
Mechanical shock resistance

Standards		IEC/EN 60947 VDE 0660
Lifespan, mechanical	Operations x 10 ⁶	> 1
Operating frequency	Operations/ h	1800
Actuating force	n	5
Protection type		IP66
Climatic proofing		Damp heat, constant, to IEC 60068-2-78 Damp heat, cyclic, to IEC 60068-2-30
Ambient temperature	°C	
Open	°C	- 25 - + 70
Mounting position		As required
Mechanical shock resistance	g	30 Shock duration 11 ms Sinusoidal according to IEC 60068-2-27

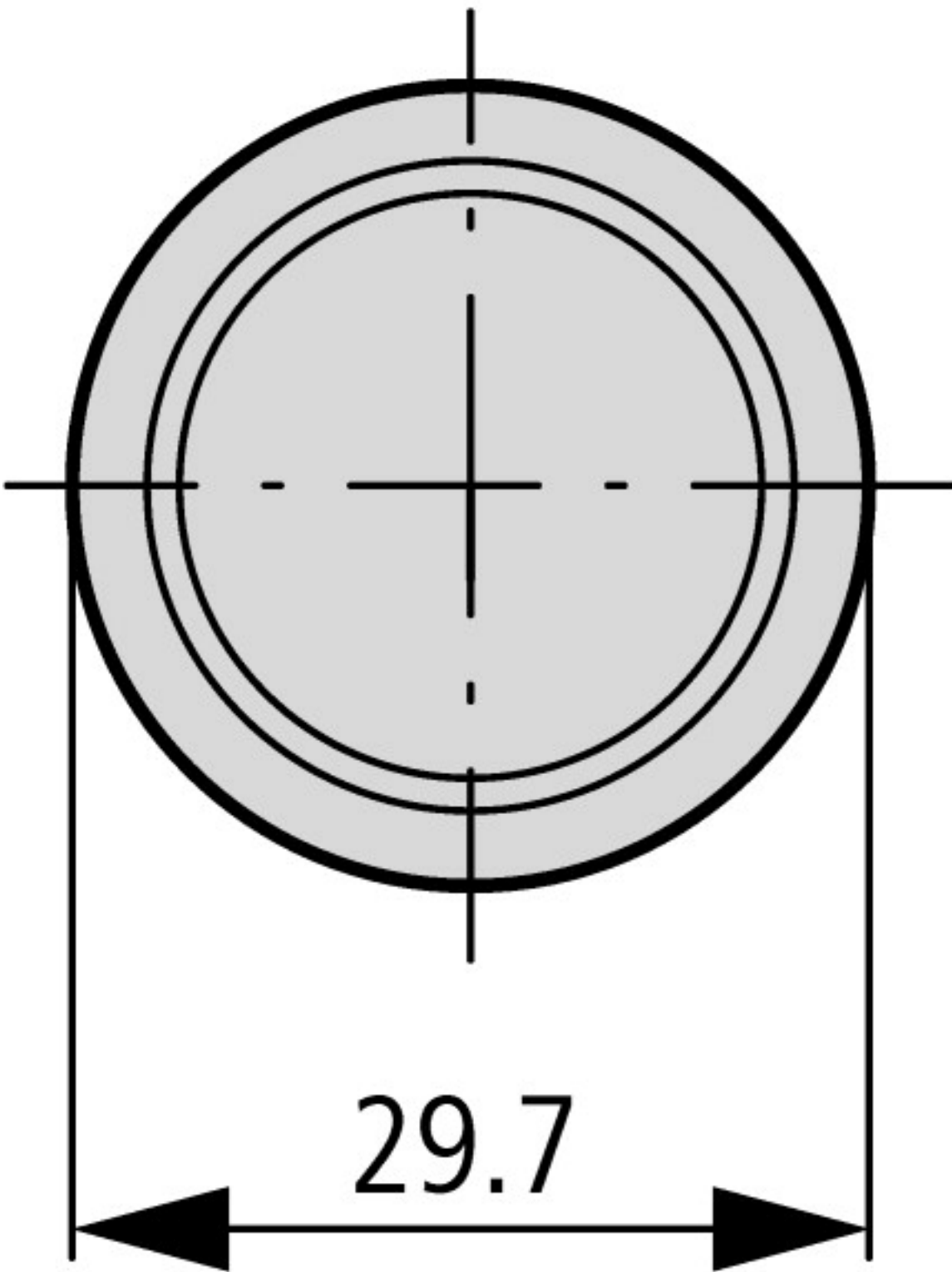
Technical data ETIM 5.0

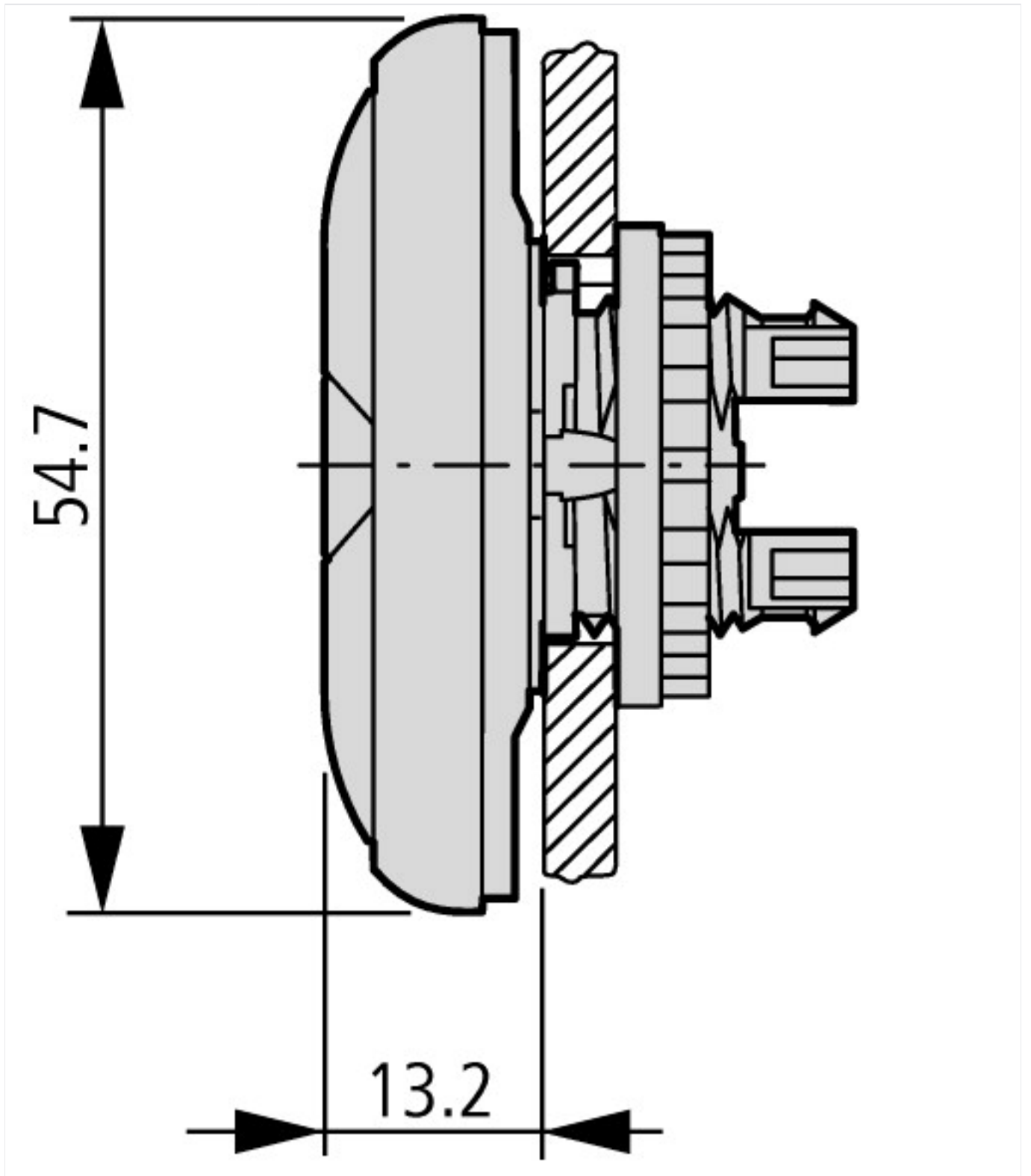
Low-voltage industrial components (EG000017) / Push button, complete (EC001028)

Electric engineering, automation, process control engineering / Low-voltage switch technology / Command and alarm device / Push-button actuator, complete unit
(ecl@ss8-27-37-12-28 [AKFD46010])

Number of command positions		2
Colour button		Red/green
Construction type lens		Round
Hole diameter	mm	22
Width opening	mm	22
Height meter opening	mm	0
Degree of protection (IP)		IP66
Type of button		Flat
Suitable for illumination		Yes
Switching function latching		No
Spring-return		Yes
Supply voltage lamp	V	230
Number of contacts as normally open contact		1
Number of contacts as normally closed contact		1
Number of contacts as change-over contact		0
Type of electric connection		Screw connection
With front ring		Yes
Material front ring		Plastic
Colour front ring		Chrome

Dimensions





Additional product information (links)

IL04716002Z (AWA1160-1745) RMQ-Titan System

IL04716002Z (AWA1160-1745) RMQ-Titan System

ftp://ftp.moeller.net/DOCUMENTATION/AWA_INSTRUCTIONS/IL04716002Z2013_08.pdf