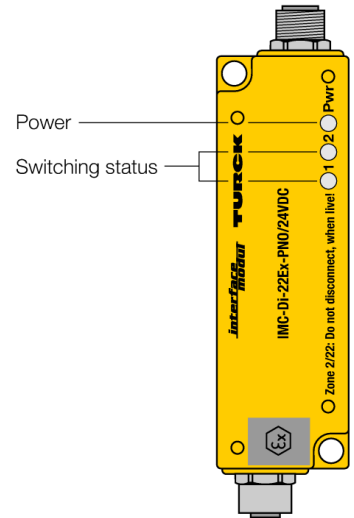
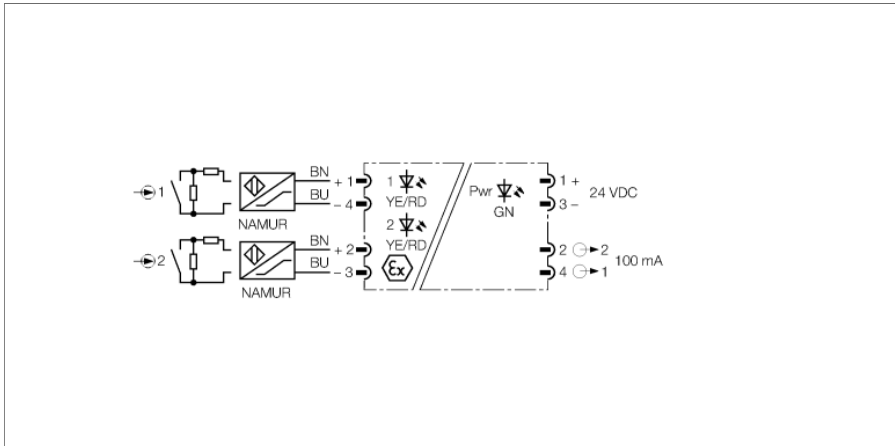




Isolating switching amplifier
2-channel
IMC-Di-22Ex-PNO/24VDC

TURCK

Industrial
Automation



The 2-channel isolating switching amplifier IMC-Di-22Ex-PNO/24VDC is equipped with intrinsically safe input circuits.

Sensors according to EN 60947-5-6 (NAMUR), variable resistors or potential free contacts can be connected to the device.

The output circuits feature two NO transistors.

The device must be protected against mechanical load on connector and housing when mounted in zone 2 or 22. For this, use the TURCK cover plate IMC-SG (ident no.7560016).

The Pwr LED lights green to indicate operational readiness.

- ATEX, IECEx, GOST
- Zone 2/22
- SIL 2
- Isolating switching amplifier with M12 x 1 males, 2-channel
- Line monitored for wire-break/short-circuit
- PNP transistor output NO
- Complete galvanic isolation
- Protection class IP67



Isolating switching amplifier

2-channel

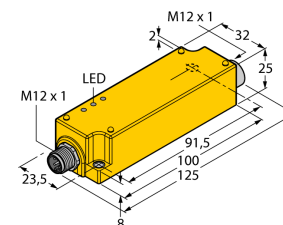
IMC-Di-22Ex-PNO/24VDC

TURCK

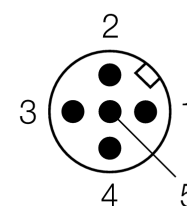
Industrial
Automation

Type code	IMC-Di-22Ex-PNO/24VDC															
Ident no.	7560003															
Nominal voltage	24 VDC															
Operating voltage range	20...30 VDC															
NAMUR	EN-60947-5-6															
No-load voltage	8.2 VDC															
Short-circuit current	8.2 mA															
Input resistance	1 kΩ															
Cable resistance	≤ 50 Ω															
Switch-on threshold:	1.55 mA															
Switch-off threshold:	1.75 mA															
Voltage drop	≤ 2.5 V															
Semiconductor output circuit(s)																
Output circuits (digital)	2 x transistors (pnp, short-circuit proof)															
Switching voltage	≤ 30 VDC															
Switching current per output	≤ 50 mA															
Switching frequency	≤ 3000 Hz															
Galvanic isolation																
Test voltage	2.5 kV															
Ex approval acc. to conformity certificate	TÜV 07 ATEX 553447															
Application area	II (1) GD															
Protection type	[Ex ia] IIC/IIB															
Max. values:	female M12 connection: 1+4 / 1+3															
Max. output voltage U_o	≤ 9.6 V															
Max. output current I_o	≤ 10 mA															
Max. output power P_o	≤ 24 mW															
Characteristic	linear															
Rated voltage	250 V															
Internal inductance/capacitance L/C,	$L_i = 0.15$ mH, $C_i =$ negligibly small															
External inductance/capacitance L/C,																
	<table border="1"> <thead> <tr> <th>Ex ia</th> <th colspan="2">IIC</th> <th colspan="2">IIB</th> </tr> </thead> <tbody> <tr> <td>Lo [mH]</td> <td>0.85</td> <td>10</td> <td>1.85</td> <td>20</td> </tr> <tr> <td>Co [nF]</td> <td>1100</td> <td>750</td> <td>5300</td> <td>3400</td> </tr> </tbody> </table>	Ex ia	IIC		IIB		Lo [mH]	0.85	10	1.85	20	Co [nF]	1100	750	5300	3400
Ex ia	IIC		IIB													
Lo [mH]	0.85	10	1.85	20												
Co [nF]	1100	750	5300	3400												
Max. output voltage U_o	≤ 9.6 V															
Max. output current I_o	≤ 10 mA															
Max. output power P_o	≤ 24 mW															
Characteristic	linear															
Internal inductance/capacitance L/C,	$L_i = 0.15$ mH, $C_i =$ negligibly small															
External inductance/capacitance L/C,																
	<table border="1"> <thead> <tr> <th>Ex nL</th> <th colspan="2">IIC</th> <th colspan="2">IIB</th> </tr> </thead> <tbody> <tr> <td>Lo [mH]</td> <td>5.0</td> <td>0.85</td> <td>10</td> <td>0.85</td> </tr> <tr> <td>Co [nF]</td> <td>1400</td> <td>1900</td> <td>6600</td> <td>11000</td> </tr> </tbody> </table>	Ex nL	IIC		IIB		Lo [mH]	5.0	0.85	10	0.85	Co [nF]	1400	1900	6600	11000
Ex nL	IIC		IIB													
Lo [mH]	5.0	0.85	10	0.85												
Co [nF]	1400	1900	6600	11000												
Ex approval acc. to conformity certificate	TÜV 07 ATEX 554027 X															
Application area	II 3 GD															
Protection type	Ex nA [nL] IIC/IIB T4 or rather Ex tD A22 IP67 T96 °C															
Max. values:	female M12 connection: 1+4 / 2+3															
Max. output voltage U_o	≤ 9.6 V															
Max. output current I_o	≤ 10 mA															
Max. output power P_o	≤ 24 mW															
Characteristic	linear															
Internal inductance/capacitance L/C,	$L_i = 0.15$ mH, $C_i =$ negligibly small															
External inductance/capacitance L/C,																
	<table border="1"> <thead> <tr> <th>Ex nL</th> <th colspan="2">IIC</th> <th colspan="2">IIB</th> </tr> </thead> <tbody> <tr> <td>Lo [mH]</td> <td>5.0</td> <td>0.85</td> <td>10</td> <td>0.85</td> </tr> <tr> <td>Co [nF]</td> <td>1400</td> <td>1900</td> <td>6600</td> <td>11000</td> </tr> </tbody> </table>	Ex nL	IIC		IIB		Lo [mH]	5.0	0.85	10	0.85	Co [nF]	1400	1900	6600	11000
Ex nL	IIC		IIB													
Lo [mH]	5.0	0.85	10	0.85												
Co [nF]	1400	1900	6600	11000												
Ex approval acc. to conformity certificate	TÜV 07 ATEX 554027 X															
Approval	SIL2 acc. to EXIDA FMEDA															
MTTF	400 years acc. to SN 29500 (Ed. 99) 40 °C															

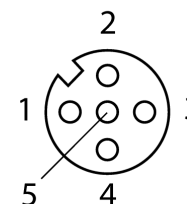
Dimensions



Pin assignment male M12



Pin assignment female M12 (Ex side)





Isolating switching amplifier
2-channel
IMC-Di-22Ex-PNO/24VDC

TURCK

Industrial
Automation

Indication

Operational readiness	green
Switching state	yellow
Error indication	red

Protection class

Ambient temperature	-25...+70 °C
Storage temperature	-40...+80°C
Dimensions	100 x 32 x 25 mm
Weight	153 g
Mounting instruction	Mounting on backplane
Housing material	polycarbonate/ABS
Electrical connection	M12 flange connection
Tightening torque	3.5 Nm