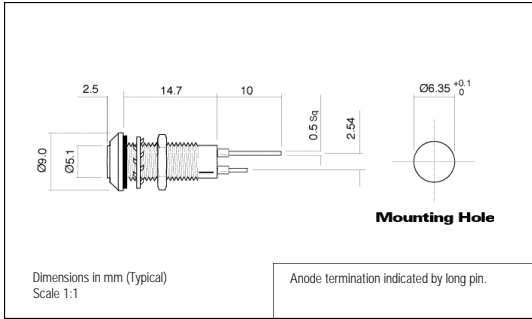


● PROFESSIONAL LED INDICATORS - Ø 6.35mm Mounting



- Black anodised aluminium housing
- Low profile lens assembly
- Sealed to IP67
- Smoked & water clear lens options



611 SERIES

MLQ = 10

Ordering Information & Typical Technical Characteristics (Ta = 25°C)

Mean Time Between Failure = 100,000 Hours. Luminous intensity figures refer to the unmodified discrete LED.

PART NUMBER	COLOUR	LENS	VOLTAGE DC Vopr	CURRENT DC Iopr	LUMINOUS INTENSITY Iv@20mA	WAVE LENGTH p	VIEWING ANGLE	OPERATING TEMP Topr	STORAGE TEMP Tstg				
<b>STANDARD INTENSITY</b>													
611-303-04	Red	Coloured Diffused	2.0*	20	100@10mA	625	Wide	-20 ~ +60	-30 ~ +85				
611-309-04	Yellow		2.1*	20	30@10mA	590							
611-312-04	Green		2.2*	20	50@10mA	565							
611-303-20	Red		5/6	15/20	100@10mA	625							
611-309-20	Yellow		5/6	15/20	30@10mA	590							
611-312-20	Green		5/6	15/20	50@10mA	565							
611-303-21	Red		12	20	100@10mA	625							
611-309-21	Yellow		12	20	30@10mA	590							
611-312-21	Green		12	20	50@10mA	565							
611-303-22	Red		24	20	100@10mA	625							
611-309-22	Yellow		24	20	30@10mA	590							
611-312-22	Green		24	20	50@10mA	565							
<b>HIGH INTENSITY</b>													
611-301-04	Red	Coloured Diffused	1.9*	20	850	660	Wide	-20 ~ +60	-30 ~ +85				
611-325-04	Yellow		2.1*	20	4400	590							
611-324-04	Green		3.4*	20	3400	525							
611-934-04	Blue		3.4*	20	1000	470							
611-998-04	White		3.4*	20	2000	•							
611-301-21	Red		12	20	850	660							
611-325-21	Yellow		12	20	4400	590							
611-324-21	Green		12	20	3400	525							
611-934-21	Blue		12	20	1000	470							
611-998-21	White		12	20	2000	•							
<b>UNITS</b>				<b>Vdc</b>	<b>mA</b>	<b>mcd</b>				<b>nm</b>		<b>°C</b>	<b>°C</b>

\* = Voltage DC for 20mA product is Vf@20mA, not Vopr

• = Typical emission colour: x=0.31, y=0.32. Colour temperature 8000K. Intensities (Iv) and colour shades of white (x,y co-ordinates) may vary between LEDs within a batch.

Please note - This product is also available at 24, 28, 48 and 75Vdc. Please contact our Sales department for further details.