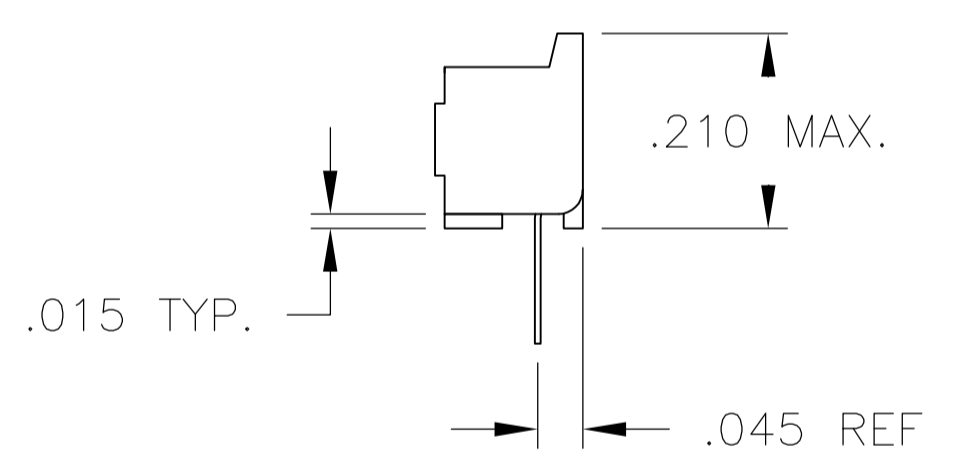
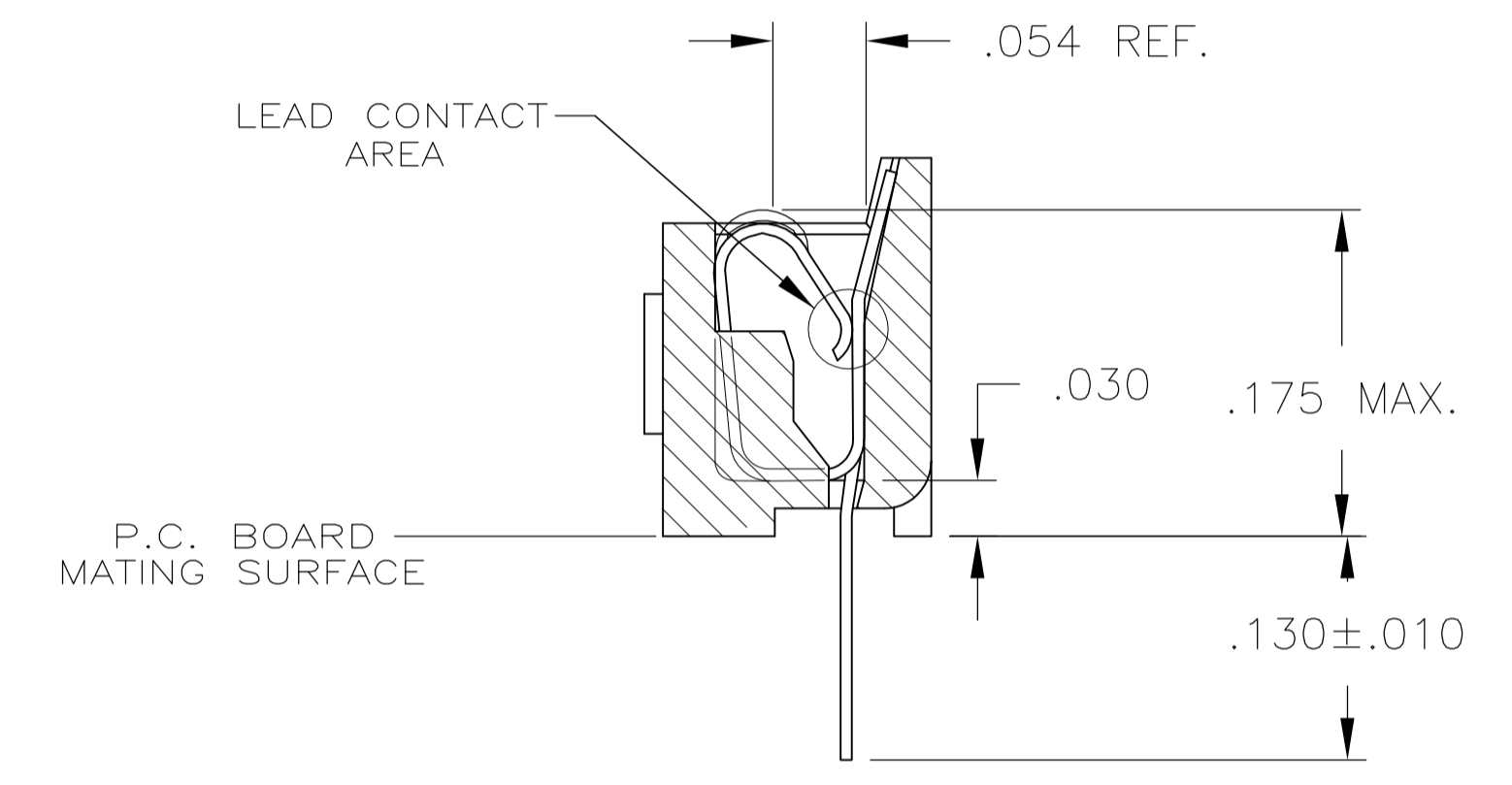


SECTION A-A
ROTATED 90° CW
SCALE 10:1
FOR -6, -7 & -8 ONLY



1. RECEPTACLE ACCEPTS AN .008-.014 THK. I.C. LEAD.
- ② TWO .000030 MIN. THK. GOLD STRIPES IN CONTACT AREA, TIN-LEAD(93-7) ON CONTACT LEGS, BALANCE OF CONTACT NICKEL PLATED.
- ③ TWO .000015 MIN. THK. GOLD STRIPES IN CONTACT AREA, TIN-LEAD(93-7) ON CONTACT LEGS, BALANCE OF CONTACT NICKEL PLATED.
- ④ TUBE LOADED.



SECTION A-A
ROTATED 90° CW
SCALE 10:1
FOR -1, -2 & -3 ONLY

④	OBSOLETE	TINNED	PHOS.BRZ.	GLASS-FILLED THERMOPLASTIC, 94V-O, BLACK	2-643652-3
	OBSOLETE	TINNED	PHOS.BRZ.	GLASS-FILLED THERMOPLASTIC, 94V-O, BLACK	643652-8
SUSP BY 643652-2		③	BE.CU.	GLASS-FILLED THERMOPLASTIC, 94V-O, BLACK	643652-7
		TINNED	BE.CU.	GLASS-FILLED THERMOPLASTIC, 94V-O, BLACK	643652-6
OBSOLETE		③	PHOS.BRZ.	GLASS-FILLED THERMOPLASTIC, 94V-O, BLACK	643652-4
		TINNED	PHOS.BRZ.	GLASS-FILLED THERMOPLASTIC, 94V-O, BLACK	643652-3
	OBSOLETE	③	BE.CU.	GLASS-FILLED THERMOPLASTIC, 94V-O, BLACK	643652-2
		TINNED	BE.CU.	GLASS-FILLED THERMOPLASTIC, 94V-O, BLACK	643652-1
		CONTACT FINISH	CONTACT MAT'L	HOUSING MATERIAL	PART NO.

THIS DRAWING IS A CONTROLLED DOCUMENT.

DIMENSIONS: INCHES	TOLERANCES UNLESS OTHERWISE SPECIFIED:	DIN	6-1-84	TE Connectivity
0 PLC ± -	1 PLC ± -	M. CYRUS	7-3-84	
2 PLC ± -	3 PLC ± .005	N. JONES	7-10-84	NAME
4 PLC ± -	ANGLES ± -	J. GRAY		PRODUCT SPEC
MATERIAL SEE TABLE	FINISH SEE TABLE			108-1066
				APPLICATION SPEC
				114-1049
				SIZE
				A1
				WEIGHT
				00779
				643652
				CUSTOMER DRAWING
				SCALE 5:1 SHEET 1 OF 1 REV L1