

Customer Information Sheet

DRAWING No.: M52-510XX45

SHEET 2 OF 2

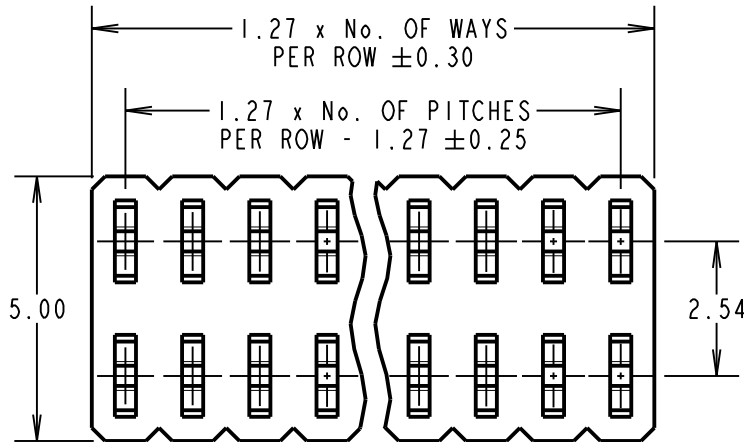
IF IN DOUBT - ASK

©

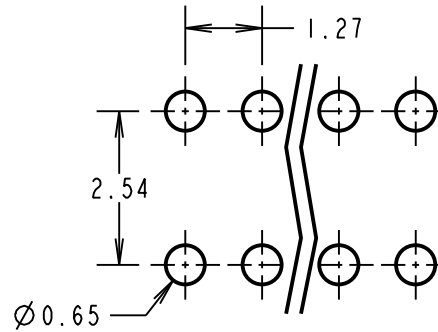
NOT TO SCALE

THIRD ANGLE PROJECTION

ALL DIMENSIONS IN mm



RECOMMENDED PCB LAYOUT
(PCB TOLERANCE ± 0.05)



SPECIFICATIONS:

MATERIAL:

MOULDING = LCP UL94V-0, BLACK

CONTACT = PHOSPHOR BRONZE

FINISH:

CONTACT = GOLD OVER NICKEL

ELECTRICAL:

CURRENT RATING = 1A

VOLTAGE PROOF = 300V AC FOR 1 MINUTE

CONTACT RESISTANCE = $20m\Omega$ MAX

INSULATION RESISTANCE = $1,000M\Omega$ MIN

MECHANICAL:

INSERTION FORCES = 2N MAX PER PIN

WITHDRAWAL FORCES = 0.15N MIN PER PIN

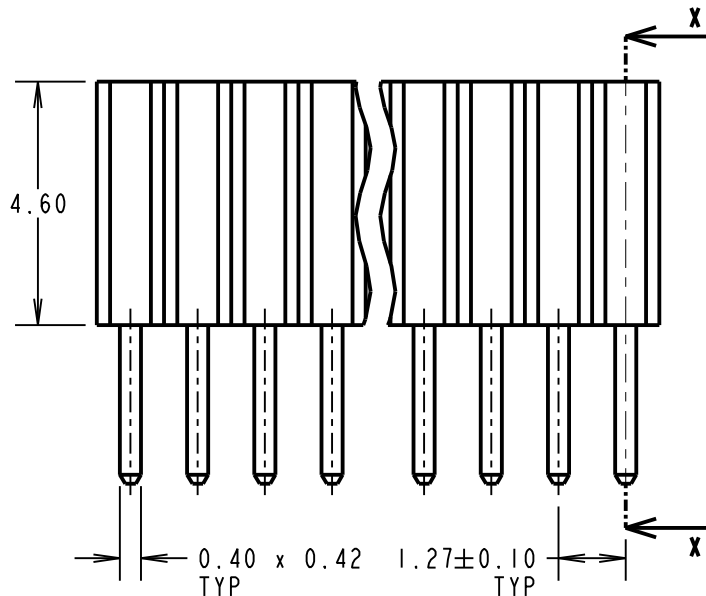
DURABILITY = 100 CYCLES

ENVIRONMENTAL:

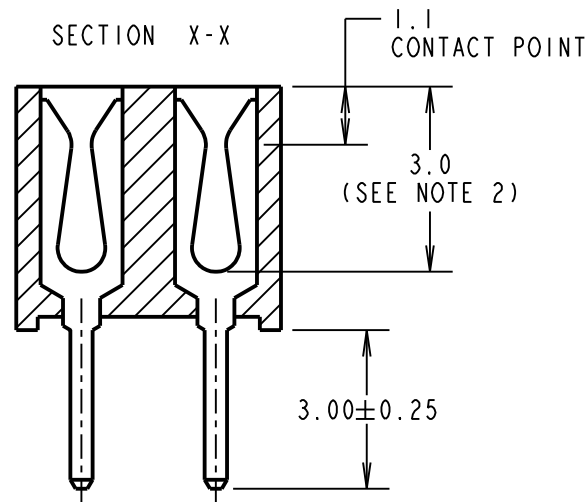
OPERATING TEMPERATURE = $-40^{\circ}C$ TO $+105^{\circ}C$

PACKING:

TUBE



SECTION X-X



ORDER CODE:

M52-510XX45

No. OF WAYS PER ROW
03 TO 50

FINISH: GOLD

NOTES:

1. MAXIMUM MATING PIN LENGTH = 3.00mm.

2. ALL TOLERANCES ARE ± 0.15 UNLESS OTHERWISE STATED.

SM	7	25.08.11	11437
NAME	ISS.	DATE	C/NOTE
APPROVED: S. MCCULLAGH			
CHECKED:		R. ADDE	
DRAWN: J. ENRIGHT			
CUSTOMER REF.:			
ASSEMBLY DRG:			

HARWIN

HARWIN USA
TEL: 603 893 5376
FAX: 603 893 5396
mis@harwin.com

HARWIN Europe (UK)
TEL: 023 9231 4545
FAX: 023 9231 4590
mis@harwin.co.uk

HARWIN Asia
TEL: +65 6 779 4909
FAX: +65 6 779 3868
mis@harwin.com.sg

THIS DRAWING AND ANY INFORMATION OR DESCRIPTIVE MATTER SET OUT HEREON ARE CONFIDENTIAL AND COPYRIGHT PROPERTY OF THE HARWIN GROUP AND MUST NOT BE DISCLOSED, LOANED, COPIED OR USED FOR MANUFACTURING, TENDERING OR FOR ANY OTHER PURPOSE WITHOUT THEIR WRITTEN PERMISSION.

TOLERANCES

X = $\pm 1mm$
X.X = $\pm 0.25mm$
X.XX = $\pm 0.10mm$
X.XXX = $\pm 0.01mm$

ANGLES = $\pm 5^{\circ}$

UNLESS STATED

MATERIAL:

SEE ABOVE

FINISH: SEE ABOVE

S/AREA:

mm²

TITLE:

1.27mm PITCH DIL
VERTICAL PC TAIL SOCKET ASSY

DRAWING NUMBER:

M52-510XX45

SHT
2
OF
2