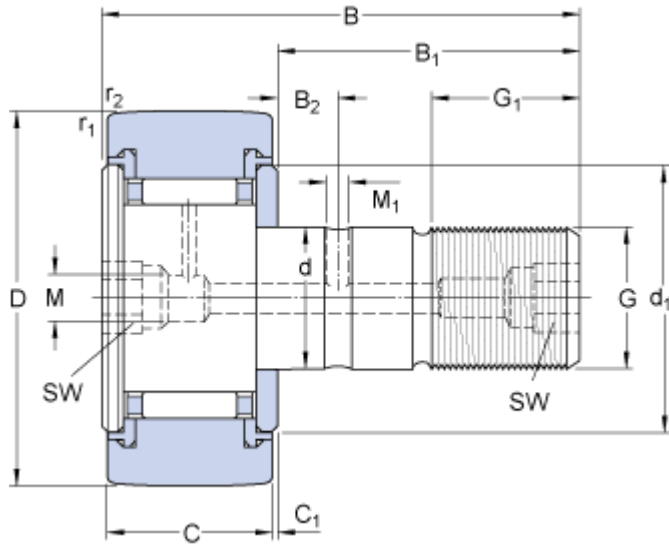


KR 52 PPA

Dimensions



D	52	mm
d	20	mm
B	66	mm
C	24	mm
B ₁	40.5	mm
B ₂	9	mm
C ₁	0.8	mm
d ₁	36.5	mm
G	M 20x1.5	
G ₁	21	mm
M	6	mm
M ₁	4	mm
SW	10	mm
r _{1,2}	min.	1

Calculation data

Basic dynamic load rating	C	15.7	kN
Basic static basic load rating	C ₀	27	kN
Fatigue load limit	P _u	3.2	kN
Maximum dynamic radial loads	F _r	36	kN
Maximum static radial loads	F _{0r}	51	kN
Limiting speed		3000	r/min

Mass

Mass cam follower	0.454	kg
-------------------	-------	----

Mounting information

Recommended tightening torque	120	N·m
-------------------------------	-----	-----

Appertaining products

Grease fitting

NIP A2x7.5

Hexagonal nut

M 20x1.5

Appropriate products

Lubrication adapter

AP 10