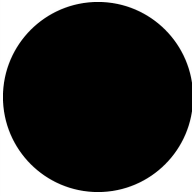




Pushbutton, raised, black, momentary



**Part no.** M22-DH-S  
**Article no.** 216636  
**Catalog No.** M22-DH-SQ

## Delivery programme

|   |   |  |  |
|---|---|--|--|
| Product range   |   |  | RMQ-Titan (drilling dimensions 22.5 mm)  |
| Basic function  |   |  | Pushbutton actuators   |
| Single unit/Complete unit   |   |  | Single unit  |
| Design  |   |  | Extended<br>momentary  |
| <b>Button plate</b>   |   |  |  |
| button plate  |   |  | black  |
| Button plate  |   |  |  |
|   |   |  | Blank  |
| Degree of Protection  |   |  | IP67, IP69K  |
| Front ring  |   |  | Bezel: titanium  |
| Connection to SmartWire-DT  |   |  | Yes, with SWD-RMQ connections  |
| <b>Actuator travel and actuation force as per DIN EN 60947-5-1, K.5.4.1</b> |   |  |  |
| Minimum force for positive opening  | N |  | 0  |
| Front dimensions  |   |  | 22 x 22  |

## Technical data

### General

|                             |              |               |  |
|-----------------------------|--------------|---------------|--|
| Standards                   |              |               | IEC/EN 60947<br>VDE 0660   |
| Lifespan, mechanical        | Operations   | $\times 10^6$ | > 5  |
| Operating frequency         | Operations/h |               |  3600 |
| Actuating force             | n            |               |  5    |
| Climatic proofing           |              |               | Damp heat, constant, to IEC 60068-2-78<br>Damp heat, cyclic, to IEC 60068-2-30           |
| Ambient temperature         |              |               |  |
| Open                        |              | °C            | -25 - +70  |
| Storage                     |              | °C            | -40 - +80  |
| Mounting position           |              |               | As required  |
| Mechanical shock resistance |              | g             | 30<br>Shock duration 11 ms<br>Sinusoidal<br>according to IEC 60068-2-27                  |

## Design verification as per IEC/EN 61439

|  |            |    |     |
|--|------------|----|-----|
| Technical data for design verification                   |            |    |     |
| Rated operational current for specified heat dissipation | $I_n$      | A  | 0   |
| Heat dissipation per pole, current-dependent             | $P_{vid}$  | W  | 0   |
| Equipment heat dissipation, current-dependent            | $P_{vid}$  | W  | 0   |
| Static heat dissipation, non-current-dependent           | $P_{vs}$   | W  | 0   |
| Heat dissipation capacity                                | $P_{diss}$ | W  | 0   |
| Operating ambient temperature min.                       |            | °C | -25 |
| Operating ambient temperature max.                       |            | °C | 70  |
| IEC/EN 61439 design verification                         |            |    |     |

|  |  |  |  |
|--|--|--|--|
| 10.2 Strength of materials and parts   |  |  |  |
| 10.2.2 Corrosion resistance  |  |  | Meets the product standard's requirements.   |
| 10.2.3.1 Verification of thermal stability of enclosures   |  |  | Meets the product standard's requirements.   |
| 10.2.3.2 Verification of resistance of insulating materials to normal heat   |  |  | Meets the product standard's requirements.   |
| 10.2.3.3 Verification of resistance of insulating materials to abnormal heat and fire due to internal electric effects |  |  | Meets the product standard's requirements.   |
| 10.2.4 Resistance to ultra-violet (UV) radiation   |  |  | Please enquire   |
| 10.2.5 Lifting   |  |  | Does not apply, since the entire switchgear needs to be evaluated.                                       |
| 10.2.6 Mechanical impact   |  |  | Does not apply, since the entire switchgear needs to be evaluated.                                       |
| 10.2.7 Inscriptions  |  |  | Meets the product standard's requirements.   |
| 10.3 Degree of protection of ASSEMBLIES  |  |  | Does not apply, since the entire switchgear needs to be evaluated.                                       |
| 10.4 Clearances and creepage distances   |  |  | Meets the product standard's requirements.   |
| 10.5 Protection against electric shock   |  |  | Does not apply, since the entire switchgear needs to be evaluated.                                       |
| 10.6 Incorporation of switching devices and components   |  |  | Does not apply, since the entire switchgear needs to be evaluated.                                       |
| 10.7 Internal electrical circuits and connections  |  |  | Is the panel builder's responsibility.   |
| 10.8 Connections for external conductors   |  |  | Is the panel builder's responsibility.   |
| 10.9 Insulation properties   |  |  |  |
| 10.9.2 Power-frequency electric strength   |  |  | Is the panel builder's responsibility.   |
| 10.9.3 Impulse withstand voltage   |  |  | Is the panel builder's responsibility.   |
| 10.9.4 Testing of enclosures made of insulating material   |  |  | Is the panel builder's responsibility.   |
| 10.10 Temperature rise   |  |  | Not applicable.  |
| 10.11 Short-circuit rating   |  |  | Is the panel builder's responsibility. The specifications for the switchgear must be observed.           |
| 10.12 Electromagnetic compatibility  |  |  | Is the panel builder's responsibility. The specifications for the switchgear must be observed.           |
| 10.13 Mechanical function  |  |  | The device meets the requirements, provided the information in the instruction leaflet (IL) is observed. |

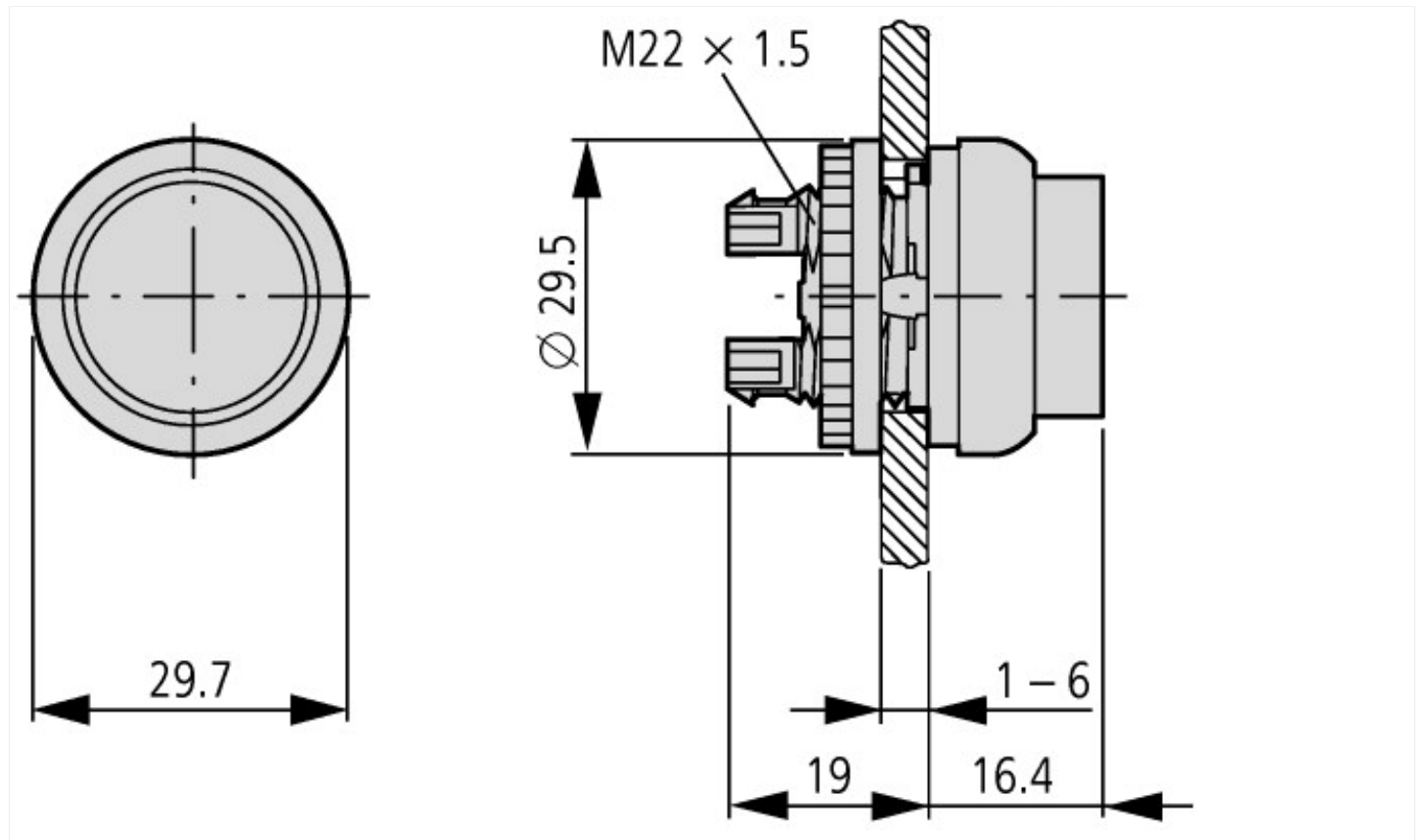
## Technical data ETIM 6.0

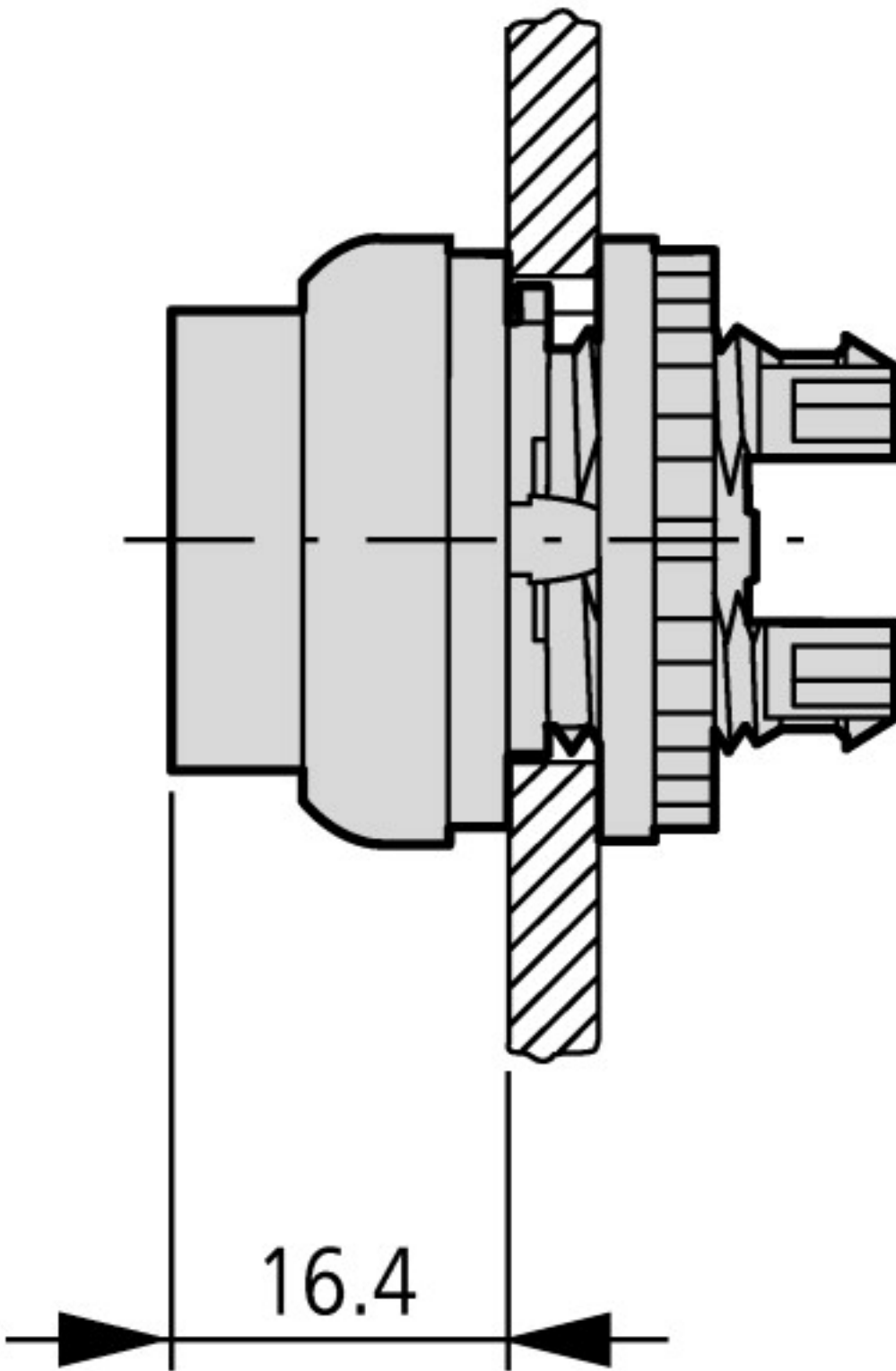
|  |  |    |         |
|--|--|----|---------|
| Low-voltage industrial components (EG000017) / Front element for push button (EC000221)  |  |    |         |
| Electric engineering, automation, process control engineering / Low-voltage switch technology / Command and alarm device / Front element for push-button actuators (ecl@ss8.1-27-37-12-10 [AKF028011]) |  |    |         |
| Colour button  |  |    | Black   |
| Number of command positions  |  |    | 1       |
| Construction type lens   |  |    | Round   |
| Hole diameter  |  | mm | 22      |
| Width opening  |  | mm | 22      |
| Height meter opening   |  | mm | 6       |
| Degree of protection (IP), front side  |  |    | IP67    |
| Type of button   |  |    | High    |
| Suitable for illumination  |  |    | No      |
| With protection cover  |  |    | No      |
| Labelled   |  |    | No      |
| Switching function latching  |  |    | No      |
| Spring-return  |  |    | Yes     |
| With front ring  |  |    | Yes     |
| Material front ring  |  |    | Plastic |
| Colour front ring  |  |    | Chrome  |

## Approvals

|  |  |  |  |
|--|--|--|--|
|  |  |  | IEC/EN 60947-5; UL 508; CSA-C22.2 No. 14-05; CSA-C22.2 No. 94-91; CE marking |
|  |  |  | E29184   |
|  |  |  | NKCR   |
|  |  |  | 012528   |
|  |  |  | 3211-03  |
|  |  |  | UL listed, CSA certified   |
|  |  |  | UL/CSA Type 3R, 4X, 12, 13   |

## Dimensions





### Additional product information (links)

IL0471600Z (AWA1160-1745) RMQ-Titan System

IL0471600Z (AWA1160-1745) RMQ-Titan System

[ftp://ftp.moeller.net/DOCUMENTATION/AWA\\_INSTRUCTIONS/IL0471600Z2015\\_02.pdf](ftp://ftp.moeller.net/DOCUMENTATION/AWA_INSTRUCTIONS/IL0471600Z2015_02.pdf)