

Connector set - DC-B 6-SET-HD-M20-M-7X4-UT - 1602216

Please be informed that the data shown in this PDF Document is generated from our Online Catalog. Please find the complete data in the user's documentation. Our General Terms of Use for Downloads are valid (<http://download.phoenixcontact.com>)



Duplicon, aluminum stackable connector set with a stackable housing with M20 cable screw connection thread (without cable screw connection), and a contact insert 6 x 4 mm² + PE, 400/690 V, 25 A, screw connection, type B6, IP67 protection



Key commercial data

Packing unit	1 pc
GTIN	 4 046356 027915
Weight per Piece (excluding packing)	242.5 g
Custom tariff number	85366990
Country of origin	Germany

Technical data

Dimensions

Height	55 mm
--------	-------

Ambient conditions

Degree of protection	IP65/IP66/IP67
Ambient temperature (operation)	-40 °C ... 100 °C

Electrical characteristics

Rated voltage (III/3)	400 V (L-PE)
	690 V (L-L)
Rated surge voltage	6 kV
Rated current	25 A (with 4 mm ² conductor cross section)
Maximum load current	32 A (L1/L2/L3)
Surge voltage category	III
Pollution degree	3

Material data

Contact material	Cu
Contact surface material	Ag

Connector set - DC-B 6-SET-HD-M20-M-7X4-UT - 1602216

Technical data

Material data

Contact carrier material	PA
Housing material	Aluminum die-cast
Housing surface material	EMC-conductive
Seal material	NBR
Locking latch material	Stainless steel
Material grip body interlock	PA

General

Type	DC-B6
Color	pearl gray
Insertion/withdrawal cycles	≥ 100
Number of positions	6
Stripping length of the individual wire	10 mm
Conductor cross section	0.2 mm ² ... 4 mm ² (6 mm ² without ferrule)
Connection cross section AWG	24 ... 12 (AWG 10 without ferrule)
Tightening torque	0.5 Nm ... 0.6 Nm
Pg screw connection	none
Type of the screw connection	with M20 thread
Cable exit	Lateral

Classifications

eCl@ss

eCl@ss 4.0	27140816
eCl@ss 4.1	27140816
eCl@ss 5.0	27143424
eCl@ss 5.1	27143424
eCl@ss 6.0	27143424
eCl@ss 7.0	27440209
eCl@ss 8.0	27440209

ETIM

ETIM 2.0	EC001121
ETIM 3.0	EC000437
ETIM 4.0	EC000437
ETIM 5.0	EC000437

UNSPSC

UNSPSC 6.01	30211923
UNSPSC 7.0901	39121522
UNSPSC 11	39121522
UNSPSC 12.01	39121522

Connector set - DC-B 6-SET-HD-M20-M-7X4-UT - 1602216

Classifications

UNSPSC

UNSPSC 13.2	39121522
-------------	----------

Approvals

Approvals

Approvals

UL Recognized / VDE Gutachten mit Fertigungsüberwachung / cUL Recognized / cULus Recognized

Ex Approvals

Approvals submitted

Approval details

UL Recognized	
mm ² /AWG/kcmil	12
Nominal current I _N	25 A
Nominal voltage U _N	600 V

VDE Gutachten mit Fertigungsüberwachung	
Nominal current I _N	25 A
Nominal voltage U _N	690 V

cUL Recognized	
mm ² /AWG/kcmil	12
Nominal current I _N	25 A
Nominal voltage U _N	600 V

Connector set - DC-B 6-SET-HD-M20-M-7X4-UT - 1602216

Approvals

cULus Recognized 

Accessories

Accessories

Coding element

Coding star - PC - 3040588



Coding star, Length: 3 mm, Width: 3 mm, Height: 6 mm, Color: red

Full screw connection

Cable gland - HC-M-KV-M20(9-13) - 1690561



Metal screw connection up to 5 bar, thread length: 6 mm, cable diameter: 9 - 13 mm, WAF 22, screw connection: M20

Cable gland - HC-M-KV-M20(11-16) - 1645998



Metal screw connection up to 5 bar, thread length: 6 mm, cable diameter: 11 - 16 mm, WAF 27, screw connection: M20

Plug for cable screw gland

Filler plugs - HC-M-BS-M20 - 1645846



Filler plug, metal, size: M20

Seal

Connector set - DC-B 6-SET-HD-M20-M-7X4-UT - 1602216

Accessories

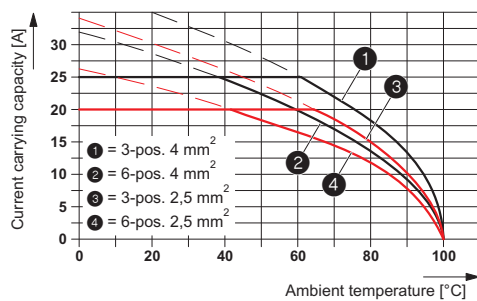
Grommet - DC-B 6-A-HD-G - 1602326



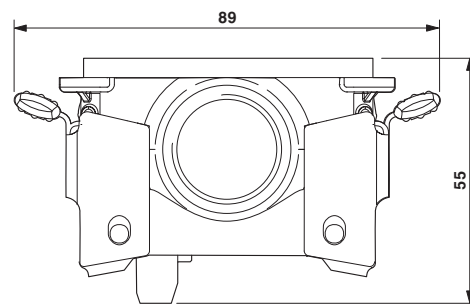
DUPLICON, profile gasket for stackable housing, made of conductive EPDM

Drawings

Diagram



Dimensioned drawing



Dimensional drawing