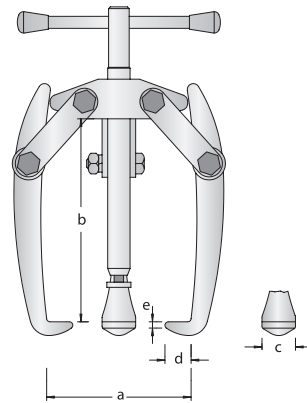




1.13 Battery-terminal puller 3-arm pattern

- Ideal for removing small parts such as battery terminals, pulleys, wheels, ball bearings, etc.
- The legs grip automatically



a _{max}	b	max. t		c	d	e	 Code	No.
60	40	0.75	M 10x1,5 x 60	10	5	2	0.200 8004650	1.13/02
60	60	0.75	M 10x1,5 x 80	10	5	2	0.200 8004570	1.13/01
70	80	1.0	M 10x1,5 x 100	14	8	2	0.400 1628410	1.13/00