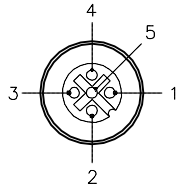
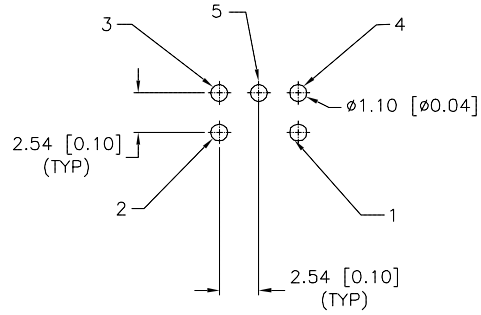


FEMALE END VIEW

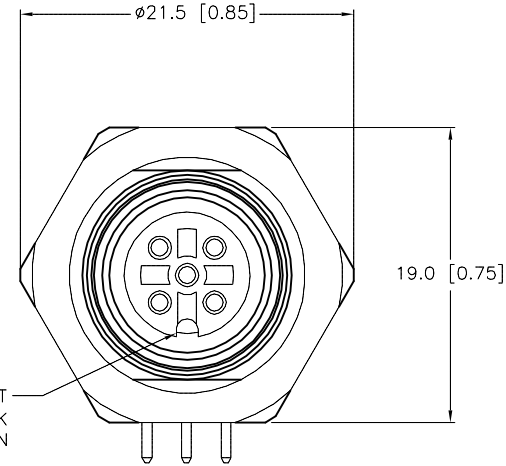
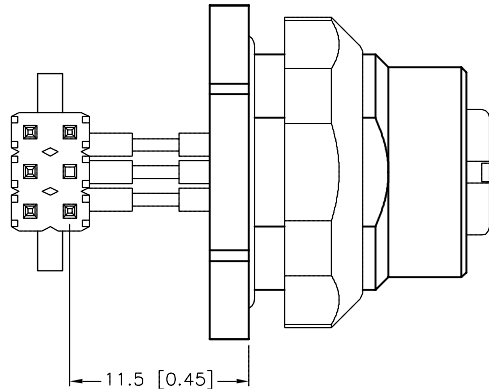
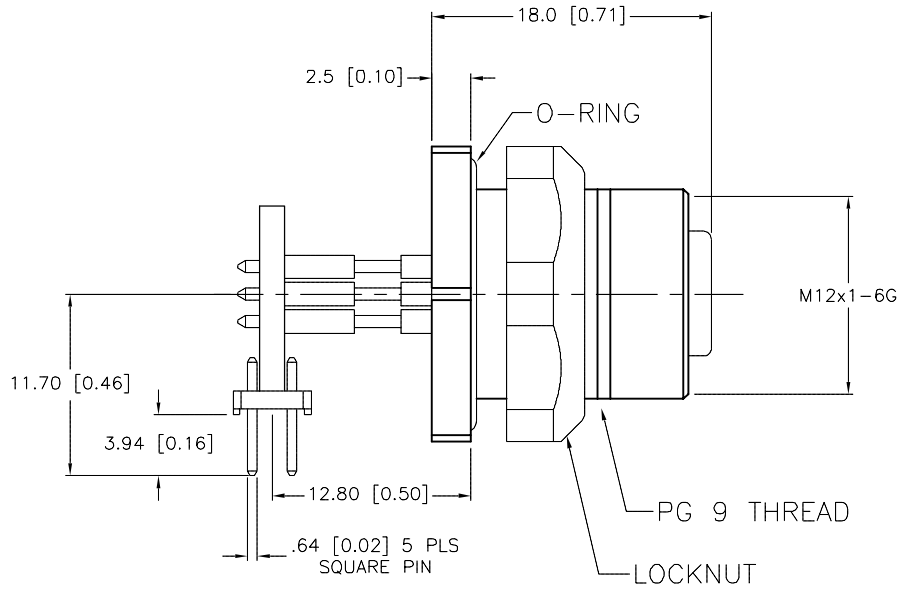


BOARD LAYOUT (2:1)

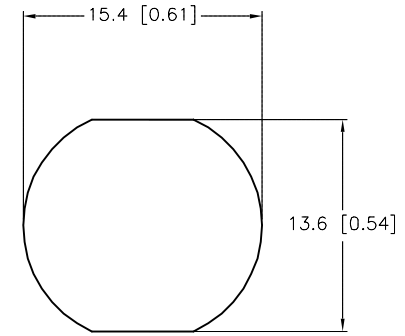


SPECIFICATIONS

CONTACT CARRIER MATERIAL	NYLON OR TPU
CONTACT MATERIAL/PLATING	BRASS/GOLD
HOUSING/LOCKNUT MATERIAL	BRASS/NICKEL
RATED CURRENT [A]	2.5 A
RATED VOLTAGE [V]	250 V
TERMINAL PIN MATERIAL	PHOSPHOR BRONZE
TEMPERATURE RATING	-40°C to +90°C (-40°F to +194°F)
PROTECTION CLASS	MEETS NEMA 1,3,4,6P AND IEC IP67



END VIEW



TYPICAL PANEL CUTOUT

SOURCE DRAWING - FOR REFERENCE ONLY

RELATED DOCUMENTS		3RD ANGLE PROJECTION		THIS DRAWING IS CONFIDENTIAL AND THE PROPERTY OF TURCK INC. USE OF THIS DOCUMENT WITHOUT WRITTEN PERMISSION IS PROHIBITED.		3000 CAMPUS DRIVE MINNEAPOLIS, MN 55441 1-800-544-7769 (763) 553-7300 (763) 553-0708 fax turck.com	
1. 2. 3. 4.				DRFT PLJ DATE 02/23/05 DSGN SCALE 2=1.0		DESCRIPTION WFKD 4.5-PCBH	
MATERIAL		ALL DIMENSIONS DISPLAYED ON THIS DRAWING ARE FOR REFERENCE ONLY		UNIT OF MEASUREMENT MILLIMETER [INCH]		IDENTIFICATION NO. U2-01916	
FINISH		CONTACT TURCK FOR MORE INFORMATION		DO NOT SCALE THIS DRAWING		REV D	
D DRAWING PROCESSED AS PART OF ECO 33971		CBM 04/07/11 33971		FILE: U2-01916		SHEET 1 OF 1	
REV DESCRIPTION		BY DATE ECO NO.					