

6

5

4

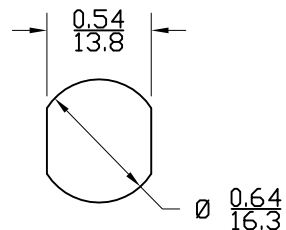
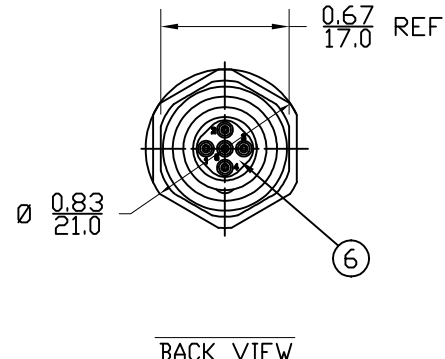
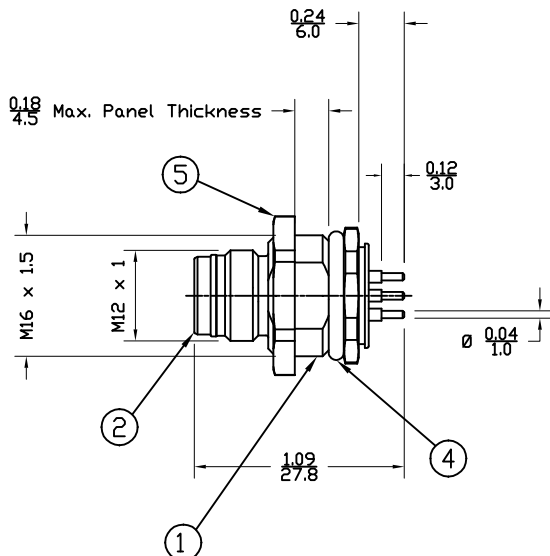
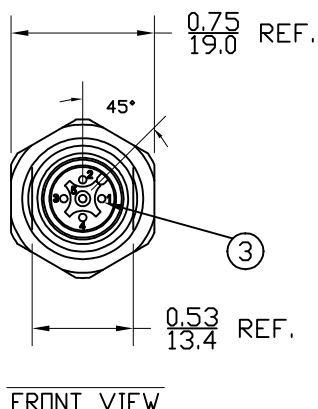
3

2

1

SAP P/N#	ENGINEERING NO.
1200840031	WR5U46000

AUX VIEW
SCALE 3:4



- NOTES:
1. MATERIAL: SEE TABLE
 2. FINISHES: SEE TABLE
 3. MATES WITH: ULTRA-LOCK FEMALE CORD ASSY
 4. ELECTRICAL SPECIFICATIONS:
VOLTAGE RATING: 60V AC/DC
CURRENT RATING: 4 AMPS
 5. ASSEMBLY IS RoHS COMPLIANT

ITEM	QTY.	DESCRIPTION	MATERIAL	FINISH
6	1	POTTING MATERIAL	EPDXY	
5	1	PANEL NUT, M16 X 1.5	CU ALLOY	NICKEL PLATED
4	1	D-RING	NITRILE	BLACK
3	5	PIN CONTACT	CU ALLOY	GOLD PLATED
2	1	INSERT	NYLON	BLACK
1	1	RECEPTACLE SHELL	BRASS	NICKEL PLATED

SD RELEASE
EC NO: WEL2010-0046
8/28/09
DRWN: VOU
CHKD: BWOODMAN09/08/31
APPR: JFMURPHY 2009/08/31

QUALITY SYMBOLS
▽=0
▽C=0

GENERAL TOLERANCES (UNLESS SPECIFIED)

	mm	INCH
4 PLACES	±---	±---
3 PLACES	±---	±.005
2 PLACES	±---	±.010
1 PLACE	±---	±.020

ANGULAR ±1°

DRAFT WHERE APPLICABLE
MUST REMAIN
WITHIN DIMENSIONS

DIMENSION STYLE
INCH/MM

DRAWN BY: VOU DATE: 2009/08/28

CHECKED BY: BWOODMAN DATE: 2009/08/31

APPROVED BY: JFMURPHY DATE: 2009/08/28

MATERIAL NO.

SEE CHART

SIZE A

SCALE 1:1

DESIGN UNITS INCH

THIRD ANGLE PROJECTION

TITLE
ULTRA-LOCK RECPT BPM M16
MALE 5P M12 A-CODE
PCB MOUNT

MOLEX INCORPORATED

DOCUMENT NO. SD-120084-002

SHEET NO. 1 OF 1

THIS DRAWING CONTAINS INFORMATION THAT IS PROPRIETARY TO MOLEX INCORPORATED AND SHOULD NOT BE USED WITHOUT WRITTEN PERMISSION

6

5

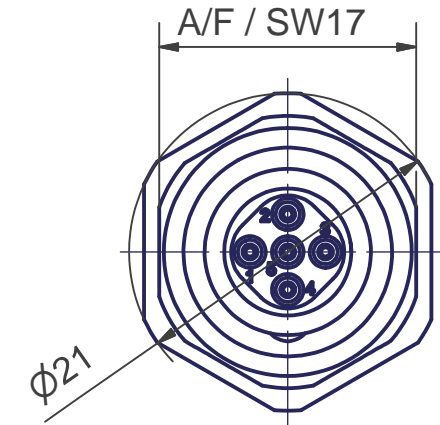
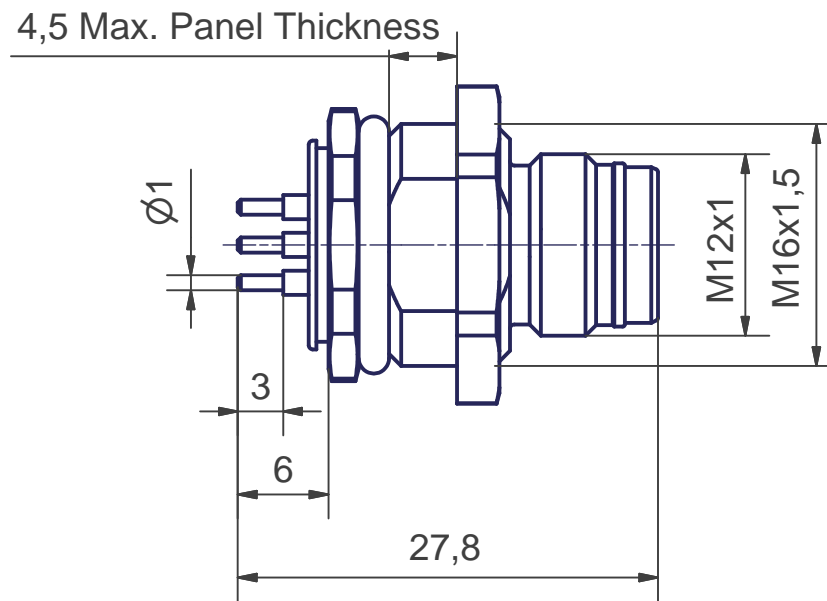
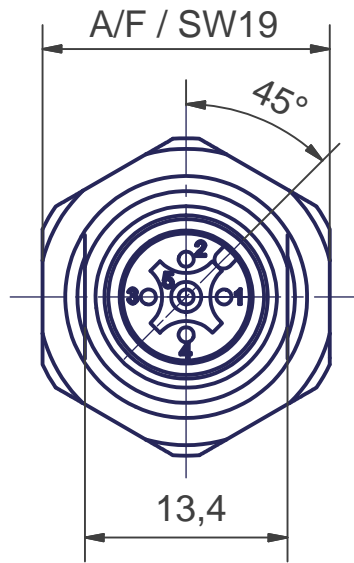
4

3

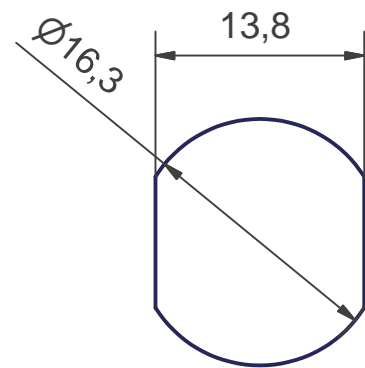
2

1

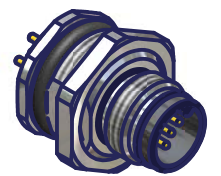
Art. Nr. / p/n	SAP Nr.
WR5U46000	1200840031



Ausschnitt / Cutout



(1:1)



Allgemeine Kennwerte General Characteristics		Norm Standard			
Polzahl	Number of contacts	IEC 947-5-2	5		
Bemessungsspannung	Rated Voltage	IEC 664	60V AC / DC		
Verschmutzungsgrad	Pollution Degree	IEC 664	3		
Betriebsstrom	Current carrying capacity	IEC 512-3 Test 5 b	4A		
Durchgangswiderstand	Contact Resistance	IEC 512-2 Test 2 A	< 5m0		
Bemessungsstoßspannung	Rated Impulse	IEC 664	2kV		
Prüfspannung	Test Voltage	IEC 60512-2 Test 4 A	1 kV / 60 sec		
Isolationswiderstand	Insulation Resistance	IEC 512-2 Test 3 A	< 10 G0		
IP - Schutzart	IP Degree Of Protection	IEC 529	IP 67		
Stift Durchmesser	Pin Diameter		1,0mm		
Werkstoffe	Kontakte	Materials	Contacts	Kupferlegierung / copper alloy	
	Kontaktoberfläche		Contacts Plating	Au/Ni	
	Kontaktträger		Dielectric Material	PA 6.6	
	Dichtung (O-Ring)		Gaskets (O-Ring)	NBR	
	Gehäuse		Housing	CuZn (brass) mit Ni-Oberfläche Nickel Plated	
Anschlußart	Termination		Solder		
Brennbarkeit	Kontaktträger	Flammability	Inserts	UL 94	V-0
	Leitung / Kabel		Cable		VDE 0472 / 804
Mechanische Lebensdauer	Mechanical Operation		500 Steckzyklen / Mating Cycles		
Temperaturbereich	Temperature Range	IEC 60668-1	-25°C / +90°C		

This drawing and its contents are the proprietary and confidential property of Woodhead Industries Inc. and/or its subsidiaries and may not be used or disclosed to others without the express prior written consent of Woodhead Industries Inc. and/or its subsidiaries.			
		UNLESS OTHERWISE SPECIFIED x = ± 1 X.X = ± 0,1 X.XX = ± 0,05 Winkel = 1°	Scale 2:1 (1:1) Dimensions mm
PROJECTION 1 : GER		Date Name	M12U 5-P Rec Male Back Shielded M16x1.5
		PROC 20.11.2007 US	
		CHK 20.11.2007 NS	
		Norm. 20.11.2007 NS	
		Woodhead Connectivity GmbH	
		Gewerbestraße 60 75015 Bretten-Gölshausen Tel.: 07252/9496-0 Fax: 07252/9496-199	
01	WEU2009-0056	20.11.07	US
Rev.	Change	Date	Name
		SD-WR5U46000	
		Filename SD-WR5U46000.idw	
		Sheet 1	
		A3	