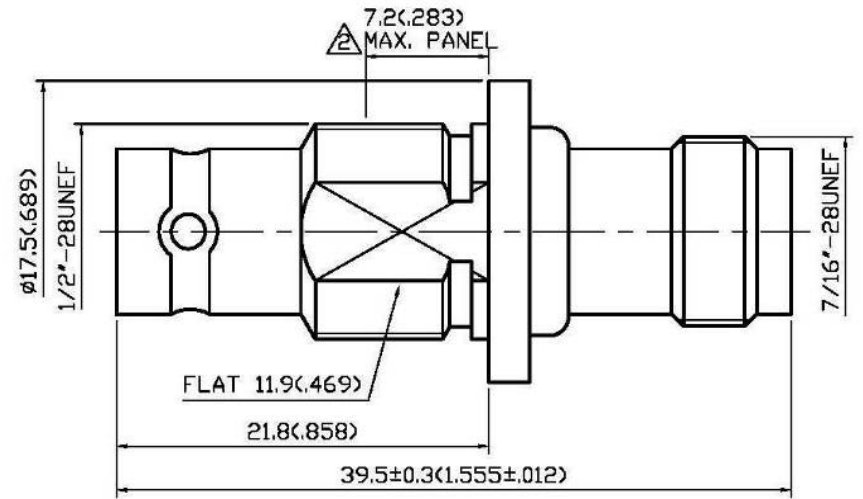
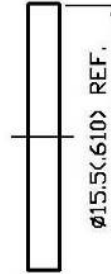
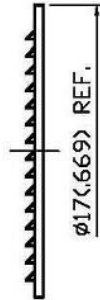
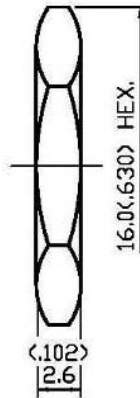
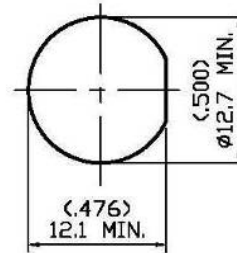


| NO | DESCRIPTION  | DATE      |
|----|--|-----------|
| ①  | MODIFY 5.2   | 08.01.12' |
| ②  | 7.7 → 7.2  | 09.05.12' |
| ③  | DEL PROOF VOLTAGE<br>WORKING VOLTAGE<br>→ VOLTAGE RATING | 12.28.12' |
| ④  | ADD VSWR   | 07.08.13' |



07/19/2013



MOUNTING HOLE  
SCALE 2:1

#### 1.0 ELECTRICAL

- 1.1 FREQUENCY RANGE: DC-4 GHz
- 1.2 NOMINAL IMPEDANCE: 50 OHM
- 1.3 VOLTAGE RATING: 500 VOLTS MAX. ③
- 1.4 VSWR: 1.5 MAX. ④

#### 2.0 MATERIALS

- 2.1 BODIES: BRASS PER JIS-C3604
- 2.2 CENTER CONTACT: BRASS PER JIS-C3604
- 2.3 INSULATION: TEFLON PER ASTM D1457 AND ASTM D1710

#### 3.0 FINISHES AND OTHERS

- 3.1 SEE BELOW TABLE FOR DETAILS.

#### 4.0 MECHANICAL

- 4.1 INTERFACE IN ACCORDANCE WITH: MIL-STD-348A

#### 5.0 ENVIRONMENTAL

- 5.1 OPERATING TEMPERATURE RANGE: -85° C TO +165° C
- 5.2 CONNECTOR MUST WITHSTAND WATERPROOF LEAK TEST PRESSURE 7kg/cm<sup>2</sup> MIN. ①

| 9  | CENTER CONTACT      | BRASS    | 2    | GOLD 30μ" MIN.    |
|----|---------------------|----------|------|-------------------|
| 8  | CHASSIS             | BRASS    | 1    | NICKEL 100μ" MIN. |
| 7  | HERMETICALLY SEALED | —        | 1    | NONE              |
| 6  | BODY                | BRASS    | 1    | NICKEL 100μ" MIN. |
| 5  | INSULATION          | TEFLON   | 2    | NONE              |
| 4  | WASHER              | BRASS    | 1    | NICKEL            |
| 3  | GASKET              | SILICONE | 1    | RED               |
| 2  | WASHER              | STEEL    | 1    | NICKEL            |
| 1  | NUT                 | BRASS    | 1    | NICKEL            |
| NO | DESCRIPTION         | MATERIAL | Q'TY | FINISH            |

APPROVED

by \_\_\_\_\_ DATE: \_\_\_\_\_



| DESCRIPTION |                           | HERMETICALLY SEALED STRAIGHT BULKHEAD BNC JACK-TNC JACK ADAPTER |   |
|-------------|---------------------------|---|---|
| 製圖          | DRAWN<br><i>Kristina</i>  | TOLERANCE   | 品名 13-29-11 T.G.N                             |
| 檢圖          | CHECK<br><i>Ivan</i>      | .X ±0.2   | TITLE \ROHS COMPLIANT (<math>50\Omega</math>) |
| 認定          | APPROVAL<br><i>Angela</i> | .XX ±0.1  | 單位 mm(in)                                     |
|             |                           | .XXX ±0.05  | DWG.NO. 13-0620                               |
|             |                           | ANGLE ±5°   | SCALE 3:1                                     |
|             |                           |   | DATE 05.14.12'                                |
|             |                           |   | 版次 A-4  |