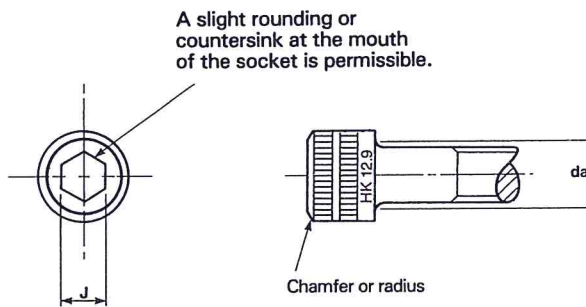
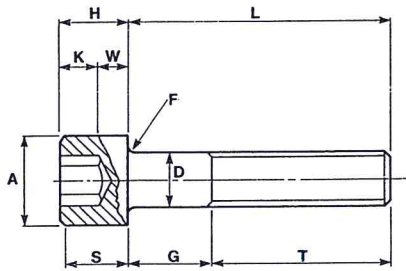


# Dimensions of Hexagon Socket Head Cap Screws

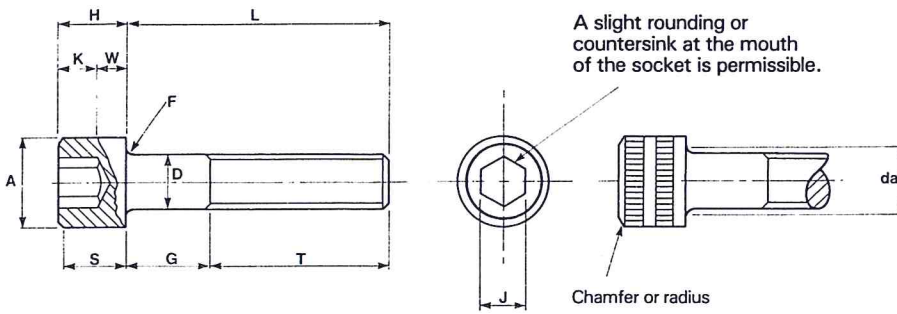


## Metric Cap Screws

Nominal Size	D	A	H	S	J	K	Fillet Radius		W
	Body Diameter	Head Diameter	Head Height	Head Side Height	Hex Socket Size	Key Engagement	F	da	Wall Thickness
	Max	Max	Max	Min	Nom	Min	Min	Max	Min
M1.4	1.40	2.60*	1.40	1.26	1.30	0.60	0.10	1.80	0.50
M1.6	1.60	3.00*	1.60	1.44	1.50	0.70	0.10	2.00	0.55
M2.0	2.00	3.80*	2.00	1.80	1.50	1.00	0.10	2.60	0.55
M2.5	2.50	4.50*	2.50	2.25	2.00	1.10	0.10	3.10	0.85
M3	3.00	5.68	3.00	2.70	2.50	1.30	0.10	3.60	1.15
M4	4.00	7.22	4.00	3.60	3.00	2.00	0.20	4.70	1.40
M5	5.00	8.72	5.00	4.50	4.00	2.50	0.20	5.70	1.90
M6	6.00	10.22	6.00	5.40	5.00	3.00	0.25	6.80	2.30
M8	8.00	13.27	8.00	7.20	6.00	4.00	0.40	9.20	3.30
M10	10.00	16.27	10.00	9.00	8.00	5.00	0.40	11.20	4.00
M12	12.00	18.27	12.00	10.80	10.00	6.00	0.60	13.70	4.80
(M14)	14.00	21.33	14.00	12.60	12.00	7.00	0.60	15.70	5.80
M16	16.00	24.33	16.00	14.40	14.00	8.00	0.60	17.70	6.80
(M18)	18.00	27.33	18.00	16.20	14.00	9.00	0.60	19.70	7.80
M20	20.00	30.33	20.00	18.00	17.00	10.00	0.80	22.40	8.60
M24	24.00	36.39	24.00	21.60	19.00	12.00	0.80	26.40	10.40
M30	30.00	45.39	30.00	27.00	22.00	15.50	1.00	33.40	13.10
M36	36.00	54.46	36.00	32.40	27.00	19.00	1.00	39.40	15.30
M42	42.00	63.46	42.00	37.80	32.00	24.00	1.20	45.60	16.30

Sizes shown in brackets are non-preferred. \*NOTE: M2.5 sizes and below supplied with unknurled head diameter. All dimensions are in millimetres.

# Dimensions of Hexagon Socket Head Cap Screws



## ISO inch (Unified) threads

Nominal Size	D	A	H	S	J	K	Fillet radius		W
	Body Diameter	Head Diameter	Head Height	Head Side Height	Hexagon Socket Size	Key Engagement	F	da	Wall thickness
	Max	Max	Max	Min	Nom	Min	Min	Max	Min
0	0.0600	0.096*	0.060	0.054	0.050	0.025	0.003	0.074	0.020
1	0.0730	0.118*	0.073	0.066	0.050	0.031	0.003	0.087	0.025
2	0.0860	0.140*	0.086	0.077	1/16	0.038	0.004	0.102	0.029
3	0.0990	0.161	0.099	0.089	5/64	0.044	0.004	0.115	0.034
4	0.1120	0.183	0.112	0.101	3/32	0.051	0.005	0.130	0.038
5	0.1250	0.205	0.125	0.112	1/8	0.057	0.006	0.145	0.043
6	0.1380	0.226	0.138	0.124	5/32	0.064	0.006	0.158	0.047
8	0.1640	0.270	0.164	0.148	3/16	0.077	0.007	0.188	0.056
10	0.1900	0.312	0.190	0.171	1/4	0.090	0.009	0.218	0.065
1/4	0.2500	0.375	0.250	0.225	3/16	0.120	0.009	0.278	0.095
5/16	0.3125	0.437	0.312	0.281	7/32	0.151	0.012	0.3465	0.119
3/8	0.3750	0.562	0.375	0.337	1/2	0.182	0.015	0.415	0.143
7/16	0.4375	0.625	0.437	0.394	5/8	0.213	0.018	0.4835	0.166
1/2	0.5000	0.750	0.500	0.450	3/4	0.245	0.020	0.552	0.190
5/8	0.6250	0.875	0.625	0.562	7/8	0.307	0.024	0.689	0.238
3/4	0.7500	1.000	0.750	0.675	1	0.370	0.030	0.828	0.285
7/8	0.8750	1.125	0.875	0.787	1 1/8	0.432	0.034	0.963	0.333
1	1.0000	1.312	1.000	0.900	1 1/4	0.495	0.040	1.100	0.380

1/4", 1/2" dimensions are common with Unified 1960 Series.

All dimensions are in inches.

## Unified 1960 Series

Nominal Size	D	A	H	S	J	K	Fillet radius		W
	Body Diameter	Head Diameter	Head Height	Head Side Height	Hexagon Socket Size	Key Engagement	F	da	Wall thickness
	Max	Max	Max	Min	Nom	Min	Min	Max	Min
1	0.0730	0.118*	0.073	0.066	1/16	0.031	0.003	0.087	0.025
2	0.0860	0.140*	0.086	0.077	5/64	0.038	0.004	0.102	0.029
4	0.1120	0.183	0.112	0.101	3/32	0.051	0.005	0.130	0.038
6	0.1380	0.226	0.138	0.124	7/64	0.064	0.006	0.158	0.047
8	0.1640	0.270	0.164	0.148	9/64	0.077	0.007	0.188	0.056
5/16	0.3125	0.469	0.312	0.281	1/4	0.151	0.012	0.3465	0.119
7/16	0.4375	0.656	0.438	0.394	3/8	0.213	0.018	0.4835	0.166
5/8	0.6250	0.938	0.625	0.562	1/2	0.307	0.024	0.689	0.238
3/4	0.7500	1.125	0.750	0.675	5/8	0.370	0.030	0.828	0.285
7/8	0.8750	1.312	0.875	0.787	3/4	0.432	0.034	0.963	0.333
1	1.0000	1.500	1.000	0.900	3/4	0.495	0.040	1.100	0.380
1 1/4	1.2500	1.875	1.250	1.125	7/8	0.620	0.050	1.370	0.475
1 1/2	1.5000	2.250	1.500	1.350	1	0.745	0.060	1.640	0.570

\*NOTE: #2 sizes and below supplied with unknurled head diameter.

Sizes not tabulated are common with ISO Inch (Unified).

All dimensions are in inches.