

PSR-SPP- 24UC/THC4/2X1/1X2

Order No.: 2963983


The figure shows a version with a screw connection



<http://catalog.phoenixcontact.net/phoenix/treeViewClick.do?UID=2963983>

Safety relay for two-hand control devices to EN 574 type IIIC to SIL 3 or Cat. 4, PL e according to EN ISO 13849, simultaneity monitoring < 0.5 s, 2 N/O contacts, 1 N/C contact, safe isolation, pluggable connecting terminal blocks, width: 22.5 mm



Commercial data	
EAN	4 017918 904807 
Pack	1 Pcs.
Customs tariff	85044090
Product key	106530
Catalog page information	Page 17 (IF-2011)

Product notes

WEEE/RoHS-compliant since:
08/21/2006



<http://www.download.phoenixcontact.com>
Please note that the data given here has been taken from the online catalog. For comprehensive information and data, please refer to the user documentation. The General Terms and Conditions of Use apply to Internet downloads.

Technical data

Input data

Nominal input voltage U_N	24 V AC/DC
Input voltage range in reference to U_N	0.85 ... 1.1

Typical input current at U_N	125 mA AC
	60 mA DC
Voltage at input/start and feedback circuit	Approx. 24 V DC
Typical response time	50 ms
Typical release time	20 ms
Concurrence input 1/2	< 0.5 s
Recovery time	1 s

Output data

Contact type	2 enabling current paths
	1 signaling current path
Contact material	AgSnO ₂ , + 0.2 μm Au
Maximum switching voltage	250 V AC/DC
Minimum switching voltage	15 V AC/DC
Limiting continuous current	6 A
Maximum inrush current	6 A
Inrush current, minimum	25 mA
Interrupting rating (ohmic load) max.	144 W (24 V DC, τ = 0 ms)
	288 W (48 V DC, τ = 0 ms)
	110 W (110 V DC, τ = 0 ms)
	88 W (220 V DC, τ = 0 ms)
	1500 VA (250 V AC, τ = 0 ms)
Maximum interrupting rating (inductive load)	42 W (24 V DC, τ = 40 ms)
	42 W (48 V DC, τ = 40 ms)
	42 W (110 V DC, τ = 40 ms)
	42 W (220 V DC, τ = 40 ms)
Switching capacity min.	0.4 W
Output fuse	10 A gL/gG NEOZED (N/O contact)
	6 A gL/gG NEOZED (N/C contact)

General data

Width	22.5 mm
Height	112 mm
Depth	114.5 mm
Ambient temperature (operation)	-20 °C ... 55 °C
Ambient temperature (storage/transport)	-40 °C ... 70 °C

Relay type	Electromechanically forcibly guided, dust-proof relay.
Mechanical service life	Approx. 10^7 cycles
Mounting position	Any
Category according to EN 13849-1	4
Stop category	0
Name	Air and creepage distances between the power circuits
Standards/regulations	DIN EN 50178/VDE 0160
Rated surge voltage / insulation	6 kV / Safe isolation, increased insulation
Rated insulation voltage	250 V
Pollution degree	2
Surge voltage category	III

Connection data

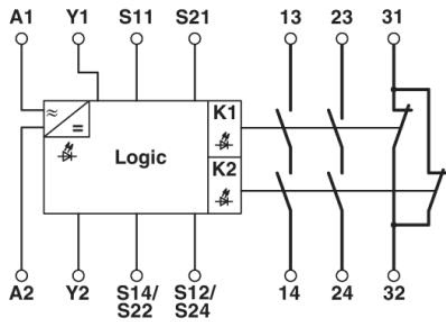
Conductor cross section solid min.	0.2 mm ²
Conductor cross section solid max.	1.5 mm ²
Conductor cross section stranded min.	0.2 mm ²
Conductor cross section stranded max.	1.5 mm ²
Conductor cross section AWG/kcmil min.	24
Conductor cross section AWG/kcmil max	16
Stripping length	8 mm
Connection method	Spring-cage conn.

Certificates / Approvals

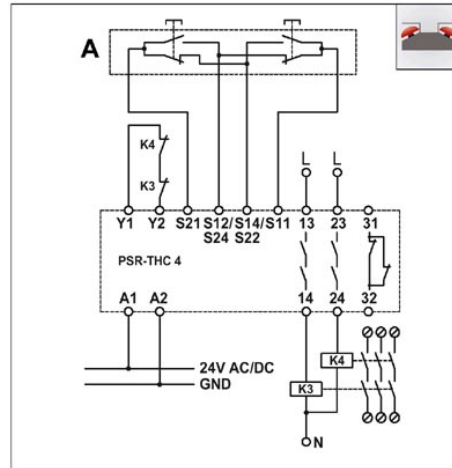
Certification CUL Listed, GOST, TUEV-RH, UL Listed

Drawings

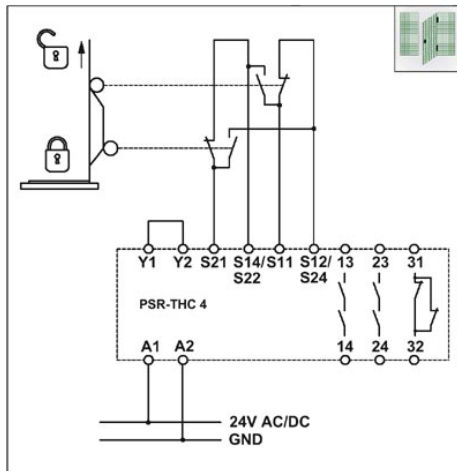
Circuit diagram



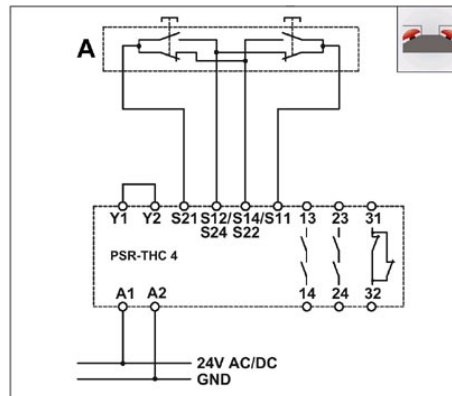
1 = logics



Monitoring of controlling, disabling protective devices in acc. with EN 1088 with equality monitoring < 0.5 s, suitable up to safety category 4.

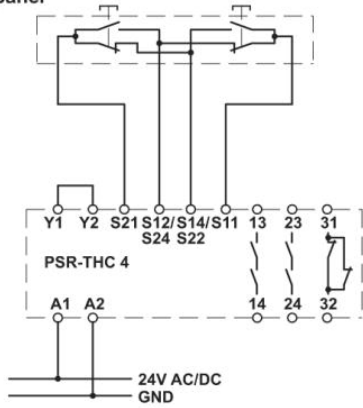


A = two-hand control panel
 Two-hand control systems with equality monitoring < 0.5 s and monitored contact expansion, corresponds to EN 574 type IIC, suitable up to safety category 4.

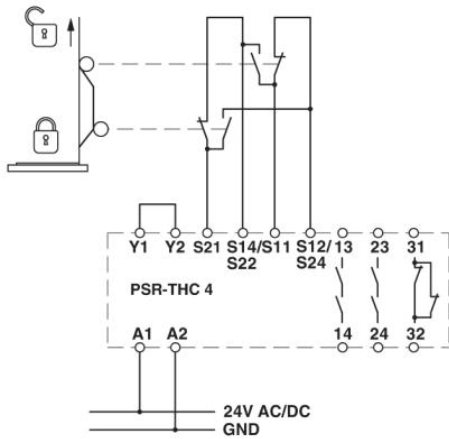
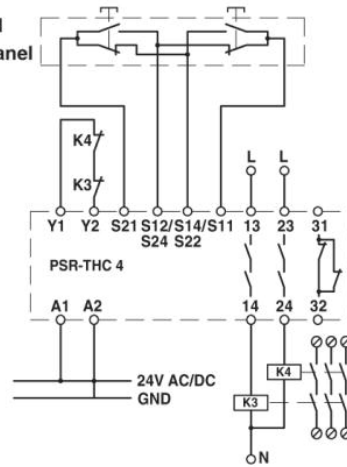


A = two-hand control panel
 Two-hand control systems with equality monitoring < 0.5 s, Corresponds to EN 574 type IIC, suitable up to safety category 4.

Two-hand control panel



Two-hand control panel



Connection data incl. use groups





Address

Nanjing Phoenix Contact Co. Ltd.
No. 36 Phoenix Road - Jiangning Development Zone /
P.O. Box 236 Jiangning Nanjing
CN-211100 Nanjing, China
Phone +86/25-5212-1888
Fax +86/25-5212-1999 or 1555
<http://www.phoenixcontact.com.cn>



© 2012 Phoenix Contact
Technical modifications reserved;