

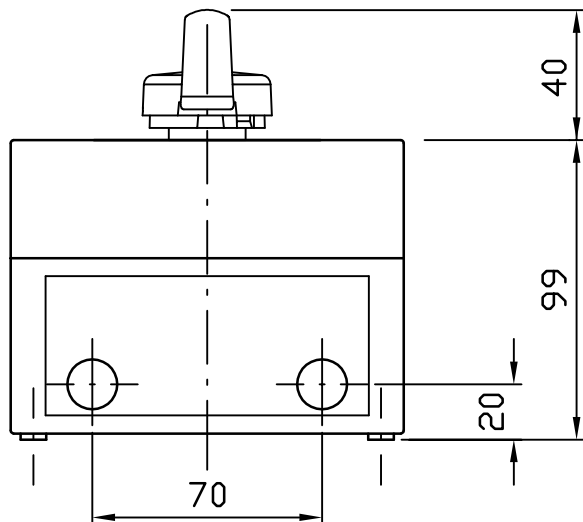
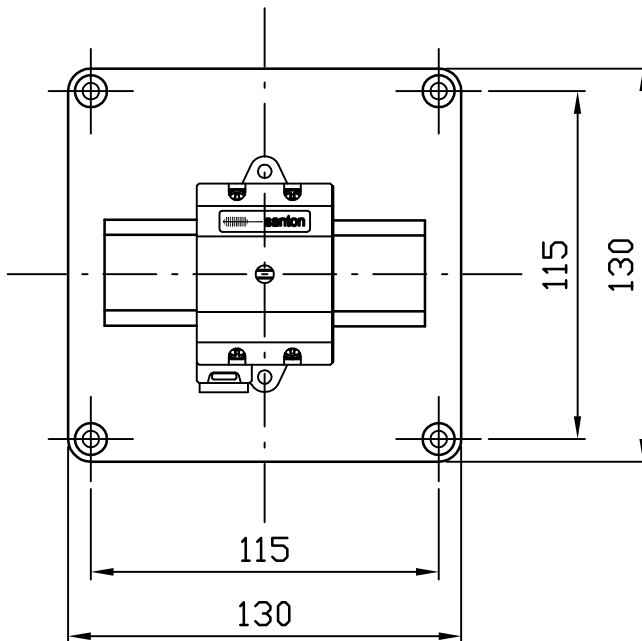
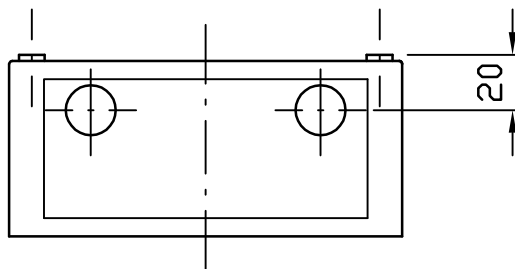
POSITION OF HANDLE

0
OFF
(LID REMOVABLE)

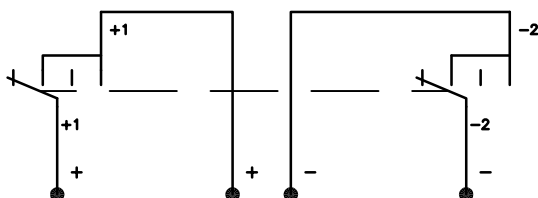
1
+1--+1
-1---1

0
LOCK
OFF
(LID TRAPPED)

1
+1--+1
-1---1



Ith	Ie	Ue
25A		
	25A	600V DC21



B				
A				
Rev.			Drn by	Date
				App. by

SANTON TYPENR. X60.25B2//D-R WITH PRINTING

Drn by <i>D.V.</i>	Date : 08-02-2011	App. by :
 santon	Santon Switchgear Ltd Unit 9, Waterside Court Newport NP20 5NT South Wales Tel. +44 (0)1633 854 111 Fax +44 (0)1633 854 999 info@santonswitchgear.co.uk www.santonswitchgear.com	Computer nr. 80073