

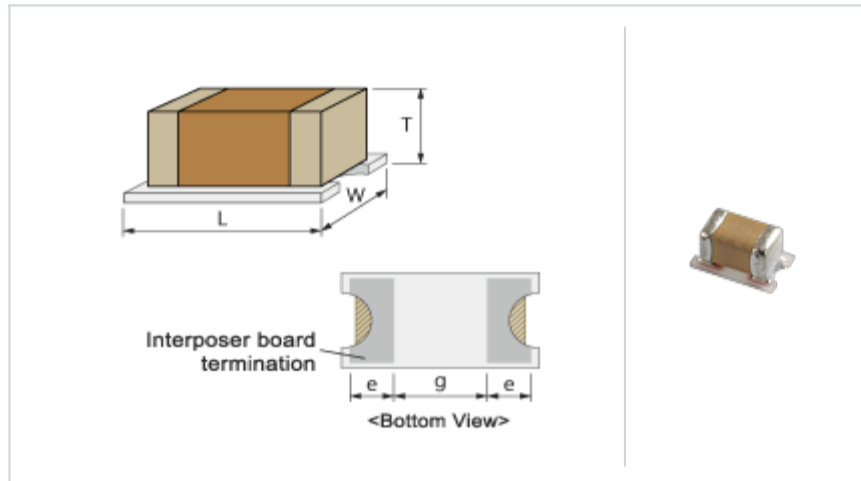
# ZRA21MR60G476ME11#

" # " indicates a package specification code.

Available General **85°C** Anti-noise Reflow OK RoHS Lead free Derating

< List of part numbers with package codes >  
ZRA21MR60G476ME11L

## Shape



L size	2.4 ± 0.1mm
W size	1.65 ± 0.1mm
T size	1.15 +0.05/-0.15mm
External terminal width e	0.7 ± 0.1mm
Distance between external terminals g	0.8 ± 0.1mm

## Specifications

Capacitance	47µF ± 20%
Rated voltage	4Vdc
Temperature characteristics (complied standard)	X5R(EIA)
Capacitance change rate	± 15.0%
Temperature range of temperature characteristics	-55 to 85
Operating temperature range	-55 to 85

## Notes

Volt. & temp. derating recommended product

## References

Packaging	Specifications	Minimum quantity
L	180mm Embossed taping	3000

Mass (typ.)	
1 piece	13mg

## Attention

- 1.This datasheet is downloaded from the website of Murata Manufacturing Co., Ltd. Therefore, it ' s specifications are subject to change or our products in it may be discontinued without advance notice. Please check with our sales representatives or product engineers before ordering.
- 2.This datasheet has only typical specifications because there is no space for detailed specifications. Therefore, please review our product specifications or consult the approval sheet for product specifications before ordering.