

Mini-Lynx Fast-Start Home

MI Home 20w 827 B22 Slv

0031583



Range features

- Up to 80% energy saving compared to incandescent lamps
- Instant flicker free start (<0.3 seconds)
- Delivers 60% light in less than 30 seconds
- No liquid mercury (<2.5mg pill)
- Good colour rendering (CRI=80)
- Available in Homelight (2700K), Cool White (4000K) and Daylight (6500K)
- Average rated life 8,000 hrs
- To be used in dry applications or fully enclosed fixtures



PRODUCT OVERVIEW

Light colour	827 Homelight
Ordering number	0031583
Technology	Compact Fluorescent
Average life (Rated) (h)	8000
Energy class	A
Cap/Base	B22
EAN code	5410288315836
CRI (Ra)	80
Colour temperature (K)	2700
Luminous flux (Rated) (lm)	1300
Watt (Nominal) (W)	20
Equivalent watt (W)	94
Voltage (V)	230

Mini-Lynx Fast-Start Home

MI Home 20w 827 B22 Slv

0031583

DATA TABLE

General data

Ordering number	0031583
Technology	Compact Fluorescent
Dry applications use only	Yes
Average life (Rated) (h)	8000
Energy class	A
Average life (Nominal) (h)	8000
Energy saving lamp	Yes
Cap/Base	B22
EAN code	5410288315836
Long description	Up to 80% energy saving compared to incandescent lamps. Instant flicker free start (<0.3 seconds). Delivers 60% light in less than 30 seconds. No liquid mercury (<2.5mg pill). Good colour rendering (CRI=80). Available in Homelight (2700K), Cool White (4000K) and Daylight (6500K). Average rated life 8,000 hrs. To be used in dry applications or fully enclosed fixtures
Product name	MI Home 20w 827 B22 Slv
Intended purpose	General lighting
Special purpose lamp	No
Sales pack quantity	10
Optimal operating condition (°C)	25° C, cap-up, Stated lumen output may vary if operated in non-standard position

Optical data

Light colour	827 Homelight
CRI (Ra)	80
Colour temperature (K)	2700
Luminous flux (Rated) (lm)	1300
Lumen maintenance at end of nominal life (%)	80
Luminous flux (Nominal) (lm)	1300

Electrical data

kWh per 1000 hours burning time	20
Watt (Rated) (W)	20
Watt (Nominal) (W)	20
Equivalent watt (W)	94
Voltage (V)	230

Physical data

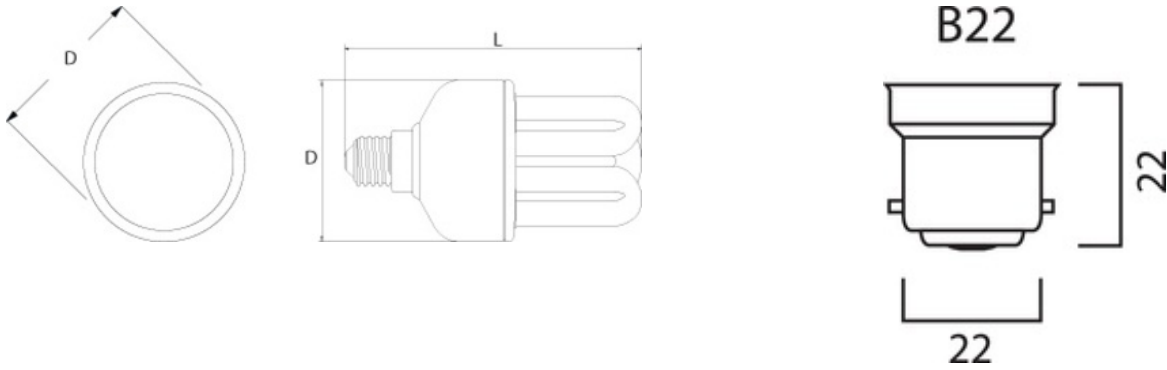
Weight (kg)	0.08
--------------------	------

Mini-Lynx Fast-Start Home

MI Home 20w 827 B22 Slv

0031583

TECHNICAL DRAWINGS



ENERGY LABEL

