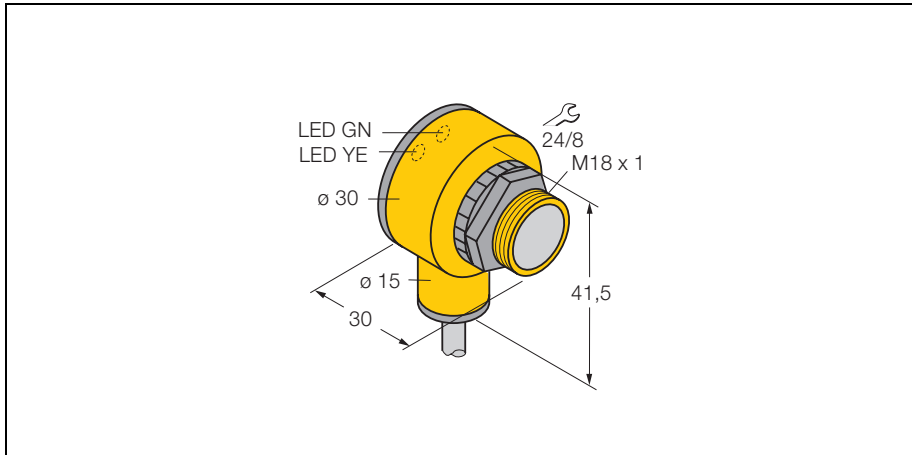


## Photoelectric sensor

### T18-SP6-R

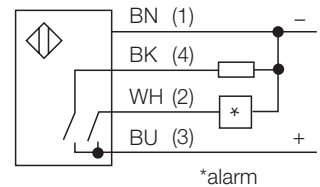
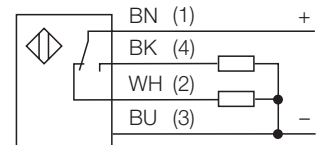


- Opposed mode (receiver)

- Cable, 2 m

- 

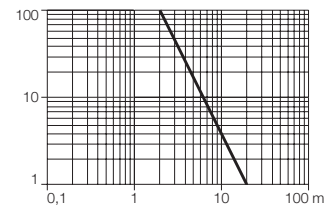
#### Wiring diagram



#### Function principles

#### Excess gain curve

Excess gain in relation to the distance



<b>Type</b>	T18-SP6-R
Ident-No.	3464200
<b>Operating mode</b>	Opposed mode (receiver)
Type of light	IR
Wave length	950 nm
Range	≤ 20 m
<b>Rated operational voltage (DC) <math>U_B</math></b>	10... 30 VDC
Rated operational current (DC) $I_e$	≤ 150 mA
No-load current $I_0$	≤ 25 mA
Short-circuit protection	yes, cyclic
Reverse polarity protection	yes
Output function	connection programmable, PNP
Max. switching frequency	≤ 0,16 kHz
Max. switch-on delay	≤ 100 ms
Overload trip point	>220 mA
Degree of protection	IP 67
Operation temperature	-40...+ 70 °C
<b>Housing style</b>	cylindrical/thread; T18
Dimensions	41,5 x 30 mm
Housing material	plastic, PBT
Lens	Lexan
Wiring	cable, PVC
Cable length	2 m
Cable cross section	4 x 0,5 mm <sup>2</sup>
<b>Supply voltage indication</b>	LED green
Switching status indication	LED yellow
Error indication	LED green blinkend
Alarm indication	LED yellow blinkend