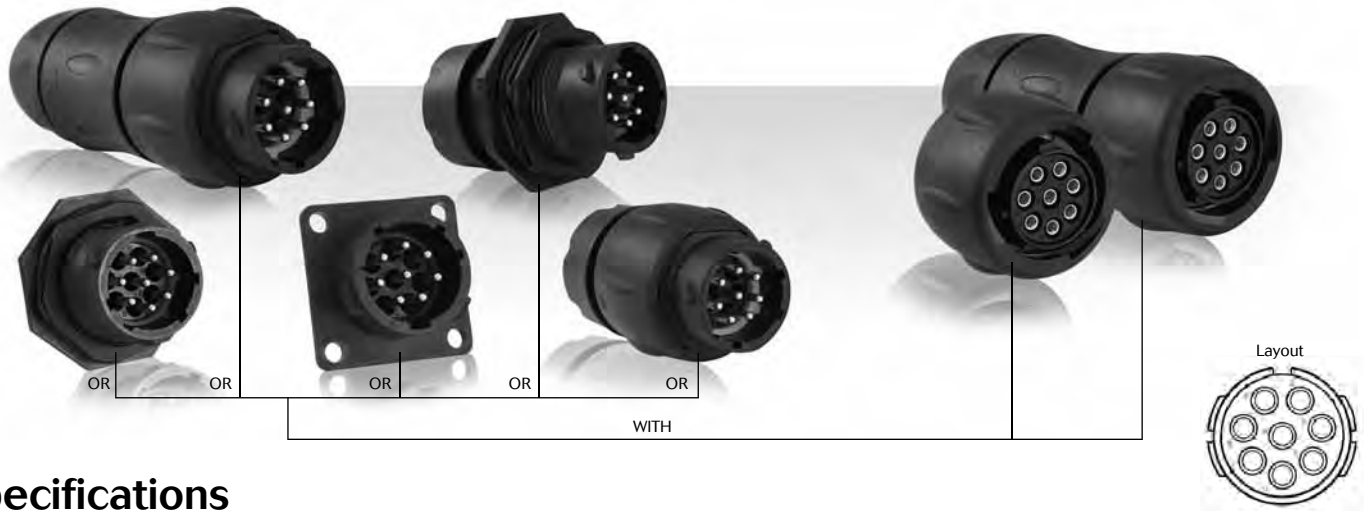


UTS Series

128

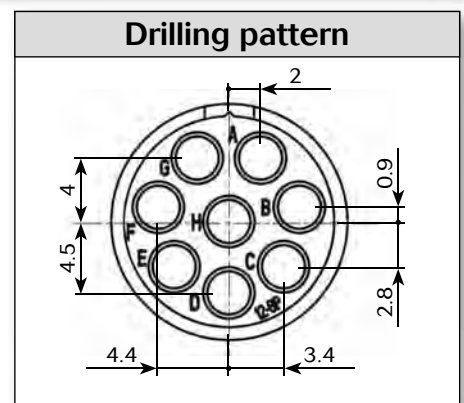
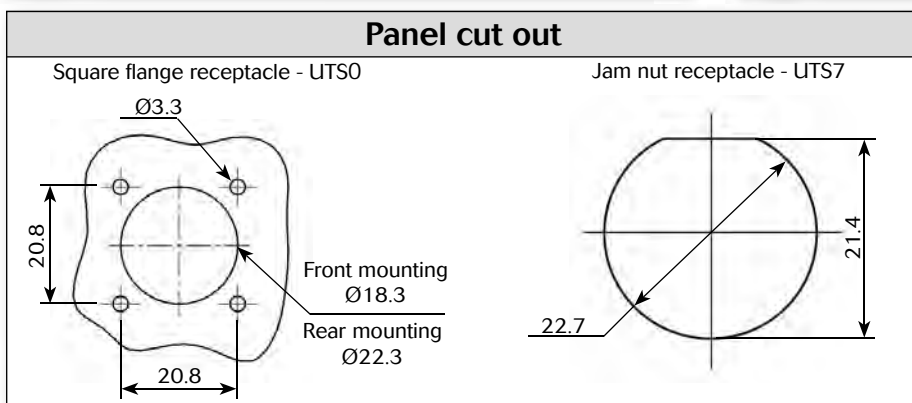
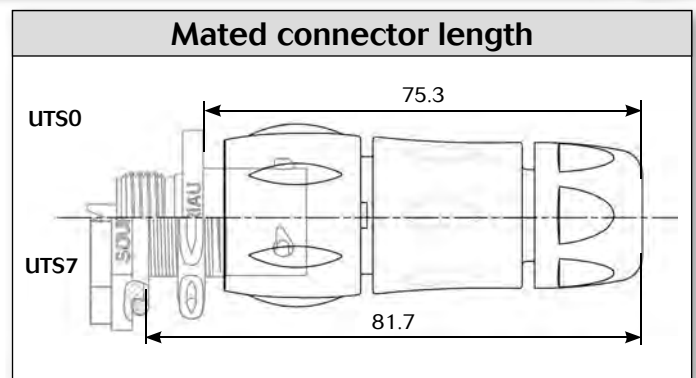
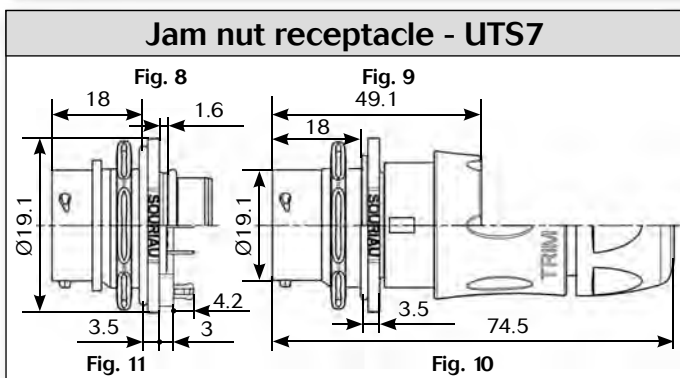
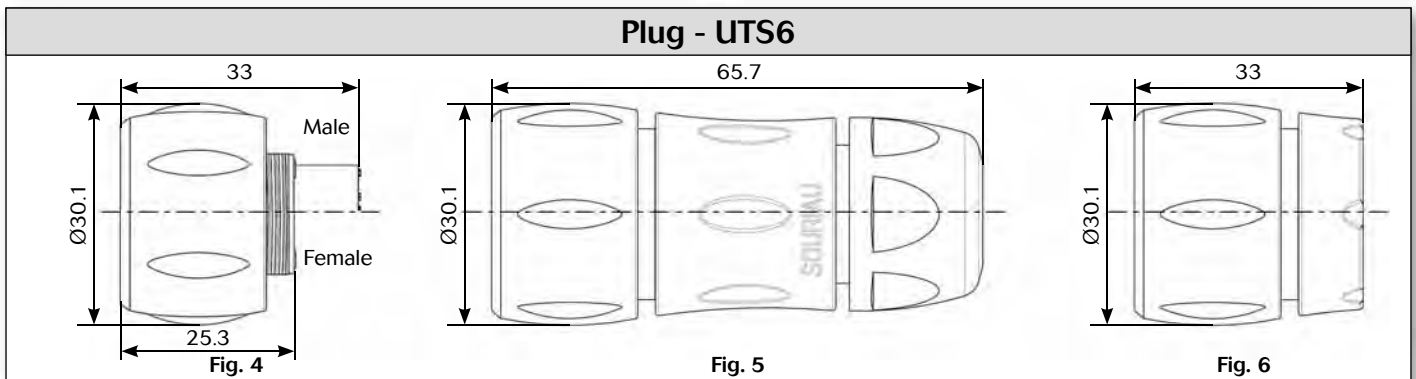
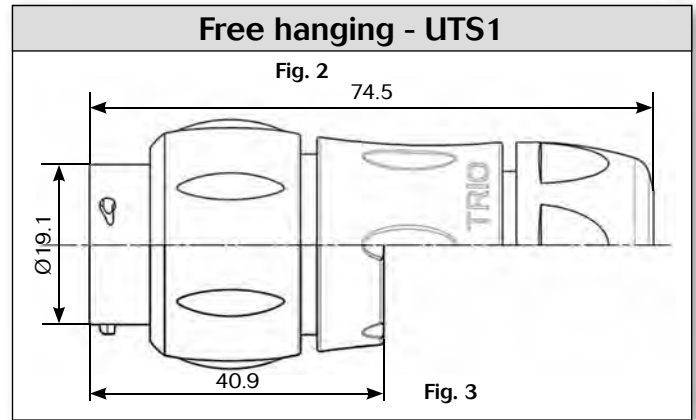
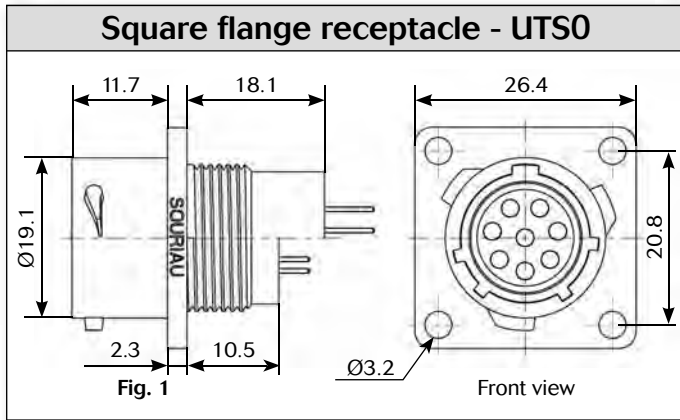


Specifications

Contact type	Connector type	Backshell	Part number	
			Male insert	Female insert
Crimp contacts supply separately see page 99	Square flange receptacle	Without (Fig.1)	UTS0128P	UTS0128S
	Free hanging receptacle	Cable gland and grommet (Fig.2)	UTS1GJC128P	
	Free hanging receptacle	Nut and grommet (Fig.3)	UTS1GN128P	
	Free hanging receptacle	Cable gland (Fig.2)	UTS1JC128P	UTS1JC128S
	Plug	Without (Fig.4)	UTS6128P	UTS6128S
	Plug	Cable gland and grommet (Fig.5)		UTS6GJC128S
	Plug	Nut and grommet (Fig.6)		UTS6GN128S
	Plug	Cable gland (Fig.5)	UTS6JC128P	UTS6JC128S
	Jam nut receptacle	Without (Fig.8)	UTS7128P	UTS7128S
	Jam nut receptacle	Cable gland and grommet (Fig.10)	UTS7GJC128P	
	Jam nut receptacle	Nut and grommet (Fig.9)	UTS7GN128P	
PCB contacts loaded	Jam nut receptacle	With stand off and hold down clip (Fig.11)	UTS7128PSEK9	



Dimensions



Note: all dimensions are in mm