

Direct Links ...

- Cross Reference
- RoHS/LF P/N search
- Document & Drawing search
- Application tooling

Services ...

- Contact us
- Distributor list
- Pricing request
- Order samples

Literature ...

- Brochures & catalogs
- Product documentation
- Technical library

68016-236HLF

[Assistant](#)



68016-236HLF - BergStik®

Unshrouded header, Through Hole, Single row, 36 Positions, 2.54 mm Pitch, Right Angle, 5.84 mm (0.23 in.) Mating, 3.05 mm (0.12 in.) Tail

ACTIVE

[Customer Drawing](#)

RoHS compatible

Electronics division

- [Email Datasheet](#)
- [Print Datasheet](#)

FCI Brings You More

- [Contact our sales/technical support](#)
- [Sample request](#)
- € [Price request](#)
- [Check distributor stock](#)

Mating Half



75915-336LF 36 Position PCB Mounted Receptacle Through Mount, Top Entry, Single Row



76341-336LF 36 Position PCB Mounted Receptacle Through Mount, Top Entry, Single Row



71607-336LF 36 Position Horizontal Card Connector, Surface Mount, Single row

Download document

Technical Resources

- [> 3D IGES](#)
- [> RoHS qualification documents](#)
- [> Product Specification](#)

Literature

- [> Basics+ Product Focus](#)
- [> Basics+ Brochure](#)
- [> Connectors for Medical Devices Brochure](#)
- [> Products for MicroTCA and AdvancedMC modules Brochure](#)
- [> Connector Overview Brochure](#)
- [> Bergstik PIP Brochure](#)

Application Tooling

- [> Asia Pacific Application Tooling](#)
- [> Americas Application Tooling](#)
- [> Europe Application Tooling](#)

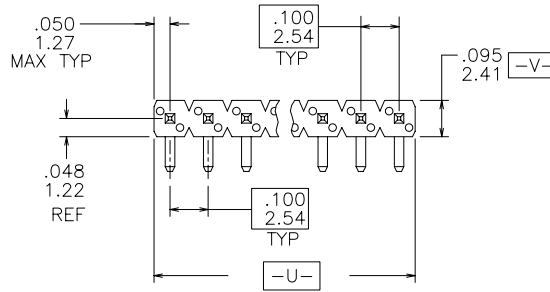
Specifications

General	
Number of contacts (per row)	36
Number of contacts (Total)	36
Number of rows	1
Orientation	Right Angle
Packaging	Bulk Packaging
Attachment type (Board)	Through Hole
Dimensional	
Length (Tail)	3.05 mm (0.12 in.)
Mating length	5.84 mm (0.23 in.)
Electrical	
Current rating	3 amp Continuous
Resistance (Insulation)	5000 M ohms
Voltage rating	1500V AC rms
Mechanical	
Retention force	8.88N (2 lbf)
Mounting	
Retention feature (Board)	No
Solder process	Vapor-phase IR reflow soldering processes Compatible with Wave
Physical	
Color (Housing)	Black
Material (Contact)	Phospor Bronze
Material (Housing)	High Temperature Black Thermoplastic
Plating (Contact area)	0.38 µm (15 µin.) Gold or GXT
Plating (Tail)	0.38 µm (15 µin.) Gold or GXT
Underplating (Contact)	1.27 µm (50 µin.) Nickel
Flammability rating	UL 94 V-0
Temperature (Range)	-65°C to +125°C
Approvals / Certifications	
Approvals / Certifications	UL and CSA Approved
Other Features	
Comments	Sample kit 950501-016
Literature	950559-001

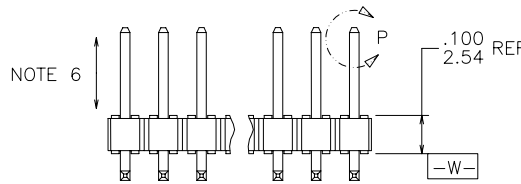
PRODUCT NUMBER

XXXXX-YYY HTLF

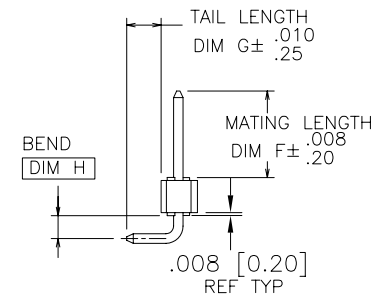
- LEAD FREE OPTION
SEE NOTE 1,8
- TUBE PACKAGING OPTION
SEE NOTE 1
- HIGH TEMPERATURE PLASTIC
SEE NOTE 1
- NO OF POSITIONS
SEE NOTE 1
- PIN PLATING
SEE SHEET 2
- BASE PART NO.



TOP VIEW



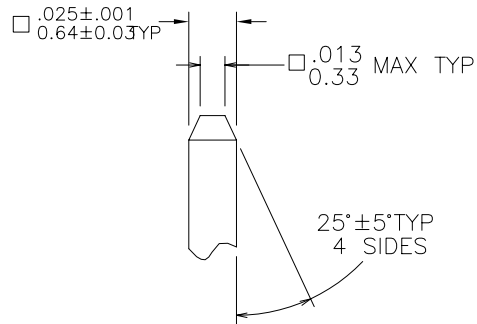
SIDE VIEW



END VIEW

⊕	⌀.020/0.51	M	U	M	V	S	W
---	------------	---	---	---	---	---	---

NOTE 4



DETAIL P
TYP BOTH ENDS

mat'l. code SEE NOTES 2 & 3		surface ISO 1302 ✓		tolerance ISO 406 ISO 1101		projection INCH/MM		product family BERGSTIK	
ltr		ecn no		date		tolerances unless otherwise specified		title	
AM	V20790	GIP	04/23/02	angles	linear	.xx±.01/0.3	INCH/MM	BERGSTIK® II HEADER	
AN	V21800	TAB	12/17/02			.xxx±.005/0.13		.100/2.54cc SR R/A	
AP	M04-0234	MHT	12/29/04	0'±2'		.xxx±.0020/0.051	scale 2:1	dwg no	
AR	M05-0072	MHT	5/03/05	dr	T.BREWBAKER	01/31/95	FCI	sheet 1 of 4 size	
AS	M06-0268	MHT	7/17/06	enfr	T.HANNA	01/31/95		68015 A3	
AT	M06-0346	MHT	9/04/06	chr	T.HANNA	01/31/95		type Product Customer Drawing	
				appd	T.HANNA	01/31/95			
sheet index	revision sheet	AT	AT	AT	AT	AT			
		1	2	3	4				

PIN PLATING CODES:	
XXXX-1YY	30u"/0.76u MIN (SEE NOTE 9) OVER 50u"/1.27u MIN Ni
XXXX-2YY	15u"/0.38u MIN (SEE NOTE 9) OVER 50u"/1.27u MIN Ni
XXXX-3YY	50u"/1.27u MIN Au OVER 50u"/1.27u MIN Ni
XXXX-4YY	100u"/2.54u MIN Sn OVER 50u"/1.27u MIN Ni (SEE NOTE 10)
XXXX-4YYHLF	
XXXX-5YY	15u"/0.38u MIN (SEE NOTE 9) OVER 50u"/1.27u MIN Ni
XXXX-6YY	30u"/0.76u MIN (SEE NOTE 9) OVER 50u"/1.27u MIN Ni
XXXX-7YY	30u"/0.76u MIN Au OVER 50u"/1.27u MIN Ni
XXXX-8YY	15u"/0.38u MIN Au OVER 50u"/1.27u MIN Ni
XXXX-9YY	15u"/0.38u MIN GXT OVER 50u"/1.27u MIN Ni
XXXX-0YY	30u"/0.76u MIN GXT OVER 50u"/1.27u MIN Ni

NOTES

①. PART NUMBER OPTIONS:

PIN PLATING CODES (SEE ABOVE)

HIGH TEMP. MATERIAL:

FOR HIGH-TEMPERATURE APPLICATIONS, SPECIFY AN "H" AT THE END OF THE PART NUMBER, AND PCT WILL BE SUPPLIED.

NUMBER OF POSITION:

ANY NUMBER OF POSITIONS FROM 1 THRU 36.

PACKAGING:

PACKAGED IN POLY BAGS.

EIGHT DIGIT PART NUMBERS FOLLOWED BY A "T" ARE PACKAGED IN TUBES. SEE SPECIFIC PART NUMBERS FOR AVAILABILITY.

LEAD FREE:

ADD "HLF" SUFFIX AT THE END OF PART NUMBER FOR LEAD FREE OPTION, NOT AVAILABLE FOR -5YY,-5YYH,-6YY & -6YYH.

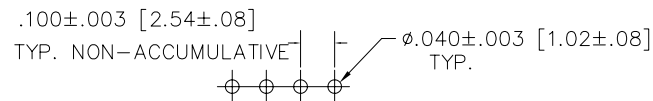
②. BODY MATERIAL:

MANUFACTURER'S OPTION OF NYLON OR PCT, GLASS FIBER REINFORCED, FLAME RETARDENT PER UL-94V-0. COLOR: BLACK.

PART NUMBERS WITH "H" SUFFIX WILL WITHSTAND EXPOSURE TO 260°C PEAK TEMPERATURE FOR 20 SECONDS IN WAVE SOLDER, INFRA-RED OR VAPOR PHASE SOLDER PROCESS.

PART NUMBERS WITHOUT "H" SUFFIX WILL WITHSTAND EXPOSURE TO 260°C PEAK TEMPERATURE FOR WAVE SOLDER PROCESS.

- ③. PIN MATERIAL: PHOS-BRONZE.
- ④. MEASURED WITH PART IN RESTRAINED CONDITION.
- ⑤. TWO SIDES OF PIN TIPS NOT PLATED. TYPICAL BOTH ENDS.
- ⑥. 2LBS/0.9KG MIN PIN RETENTION IN EITHER DIRECTION.
- ⑦. MILITARY BERGSTIK HEADER
P/N XXXXX-YYY-MIL
NOT AVAILABLE.
- ⑧. THESE PRODUCTS MEETS EUROPEAN UNION DIRECTIVES AND OTHER COUNTRY REGULATION AS DESCRIBED IN GS-22-008.
- ⑨. PLATING OPTIONS:
MAY BE EITHER GOLD OR GXT PLATED AT MANUFACTURER'S OPTION.
- ⑩. "THIS PRODUCT HAS 100% TIN PLATING IN THE INTERFACE AND HAS NOT BEEN TESTED FOR WHISKER GROWTH IN ALL INTERCONNECT ENVIRONMENTS."



RECOMMENDED HOLE PATTERN

mat'l. code SEE NOTES 2 & 3		surface ISO 1302 ✓		tolerance ISO 406 ISO 1101		projection ⊕		product family BERGSTIK	
ltr	ecn	no	dr	date		tolerances unless otherwise specified		title	
AT						angles	linear	BERGSTIK® II HEADER	
						0°±2'	.xx±.01/0.3 .xxx±.005/0.13 .xxxx±.0020/0.051	.100/2.54cc SR R/A	
						dr	T.BREWBAKER	01/31/95	scale 2:1
						enr	T.HANNA	01/31/95	dwg no
						chr	T.HANNA	01/31/95	sheet 2 of 4 size
						appd	T.HANNA	01/31/95	68015 A3
sheet index		revision sheet						type Product Customer Drawing	

PRODUCT NUMBER	MATING LENGTH		TAIL LENGTH		BEND DIM		PACKAGING	LF OPTION
	DIM F	DIM F	DIM G	DIM G	DIM H	DIM H		
	ENGLISH	METRIC	ENGLISH	METRIC	ENGLISH	METRIC		
68015-YYY	0.230	5.84	0.090	2.29	0.060	1.52	POLY BAGS/TUBES	NOTE 1,8
68016-YYY	0.230	5.84	0.120	3.05	0.060	1.52	POLY BAGS/TUBES	
68023-YYY	0.135	3.43	0.305	7.75	0.135	3.43	POLY BAGS	
68417-YYY	0.230	5.84	0.390	9.91	0.060	1.52	POLY BAGS	
68423-YYY	0.318	8.08	0.120	3.05	0.060	1.52	POLY BAGS/TUBES	
68458-YYY	0.318	8.08	0.110	2.79	0.060	1.52	POLY BAGS	
68461-YYY	0.400	10.16	0.320	8.13	0.260	6.60	POLY BAGS	
68468-YYY	0.230	5.84	0.195	4.95	0.160	4.06	POLY BAGS	
68488-YYY	0.230	5.84	0.180	4.57	0.060	1.52	POLY BAGS	
68494-YYY	0.400	10.16	0.110	2.79	0.060	1.52	POLY BAGS	
68498-YYY	0.230	5.84	0.220	5.59	0.160	4.06	POLY BAGS	
68626-YYY	0.230	5.84	0.295	7.49	0.060	1.52	POLY BAGS	
68627-YYY	0.120	3.05	0.185	4.70	0.150	3.81	POLY BAGS	
68628-YYY	0.230	5.84	0.590	14.99	0.060	1.52	POLY BAGS	
68641-YYY	0.230	5.84	0.490	12.45	0.060	1.52	POLY BAGS	
68660-YYY	0.110	2.79	0.230	5.84	0.135	3.43	POLY BAGS	
68694-YYY	0.600	15.24	0.120	3.05	0.060	1.52	POLY BAGS	
68757-YYY	0.350	8.89	0.220	5.59	0.100	2.54	POLY BAGS	
68758-YYY	0.275	6.99	0.120	3.05	0.060	1.52	POLY BAGS	
68764-YYY	0.100	2.54	0.120	3.05	0.060	1.52	POLY BAGS	
68782-YYY	0.318	8.08	0.180	4.57	0.060	1.52	POLY BAGS	
68798-YYY	0.110	2.79	0.230	5.84	0.160	4.06	POLY BAGS	
69189-YYY	0.310	7.87	0.250	6.35	0.060	1.52	POLY BAGS	
71270-YYY	0.600	15.24	0.189	4.80	0.060	1.52	POLY BAGS	
72342-YYY	0.120	3.05	0.250	6.35	0.060	1.52	POLY BAGS	
78230-YYY	0.310	7.87	0.330	8.38	0.060	1.52	POLY BAGS	
78231-YYY	0.310	7.87	0.290	7.37	0.060	1.52	POLY BAGS	NOTE 1,8



FCIconnect.com

Copyright FCI

mat'l. code SEE NOTES 2 & 3		surface ISO 1302 ✓	tolerance ISO 406 ISO 1101	projection ⊕	product family BERGSTIK
ltr	ecn	no	dr	date	tolerances unless otherwise specified
AT					linear .xx±.01/0.3
					linear .xxx±.005/0.13
					0'±2' .xxx±.0020/0.051
			dr	T.BREWBAKER 01/31/95	
			enr	T.HANNA 01/31/95	
			chr	T.HANNA 01/31/95	
			appd	T.HANNA 01/31/95	
sheet index	revision sheet				

title BERGSTIK® II HEADER .100/2.54cc SR R/A	
dwg no 68015	sheet 3 of 4 size A3
type Product Customer Drawing	