

677-0774

Description: Electronic Caliper & Micrometer Set

Specification: Electronic Digital Caliper 0-150mm (6")

Electronic Digital Micrometer 0-25mm (1")

Resolution: Electronic Digital Caliper 0.01mm/0.005"

Electronic Digital Micrometer 0.001mm/0.00005"

Accuracy: Electronic Digital Caliper  $\pm 0.02\text{mm}/\pm 0.001\text{"}$

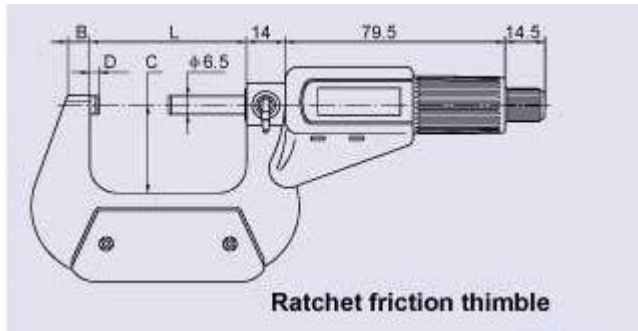
Electronic Digital Micrometer  $\pm 0.002\text{mm}/\pm 0.0001\text{"}$



**Feature:**

- Easy operation.
- Display data is origin data of absolute measurement after changing battery.
- Painted frame. Carbide measuring faces.
- Ratchet friction thimble.
- Criterion: DIN863/1, DIN40050/IEC529.
- Resolution: 0.001mm(Metric); 0.00005"(Inch).

Power ON/OFF	✓
Abs. and inc. convers	✓
Metric/inch conversion	✓
Data output	✗
Origin data set	✓
Battery	SR44
Auto power off	✓
Power consumption	<35 $\mu$ A

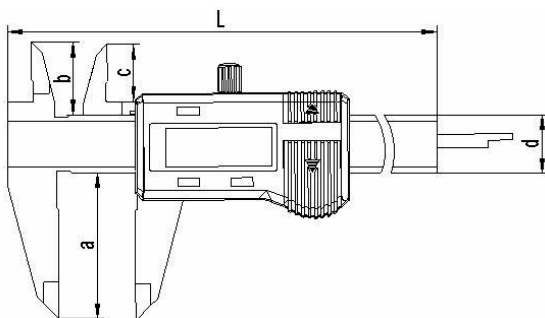


C	L	B	D
24mm	32mm	6mm	3.0mm



### FEATURES

- Made of stainless steel throughout.
- All measuring faces is finished.
- Provided a direct and clear display.
- Functions of prompt transference of the digital system between metric and inch.
- Resolutions of : 0.01mm/0.0005".
- Power: 1.55v SR44w(silver oxide cell) battery.
- Measuring system: Digital capacitive measuring system.
- With RS232 output.



L	a	b	c	d
234	40	20	16	16