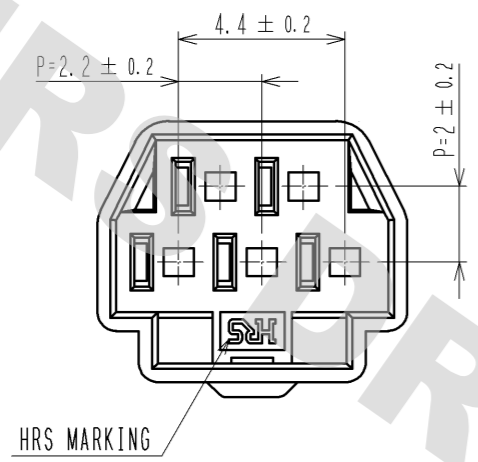
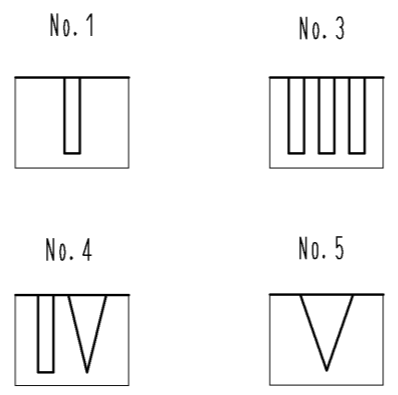


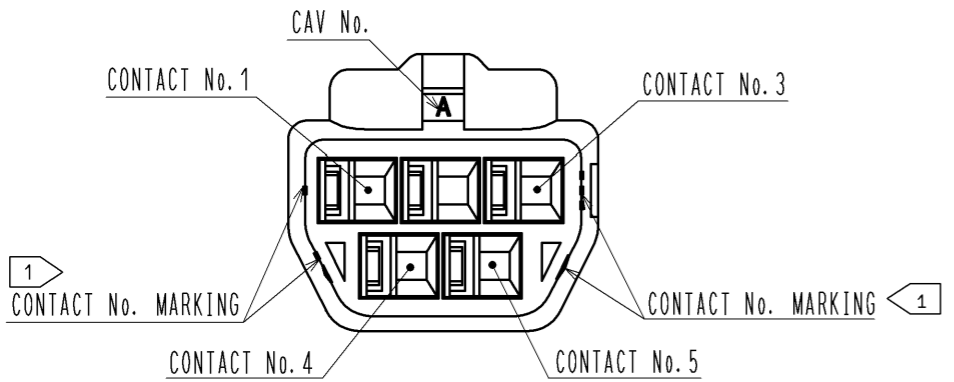
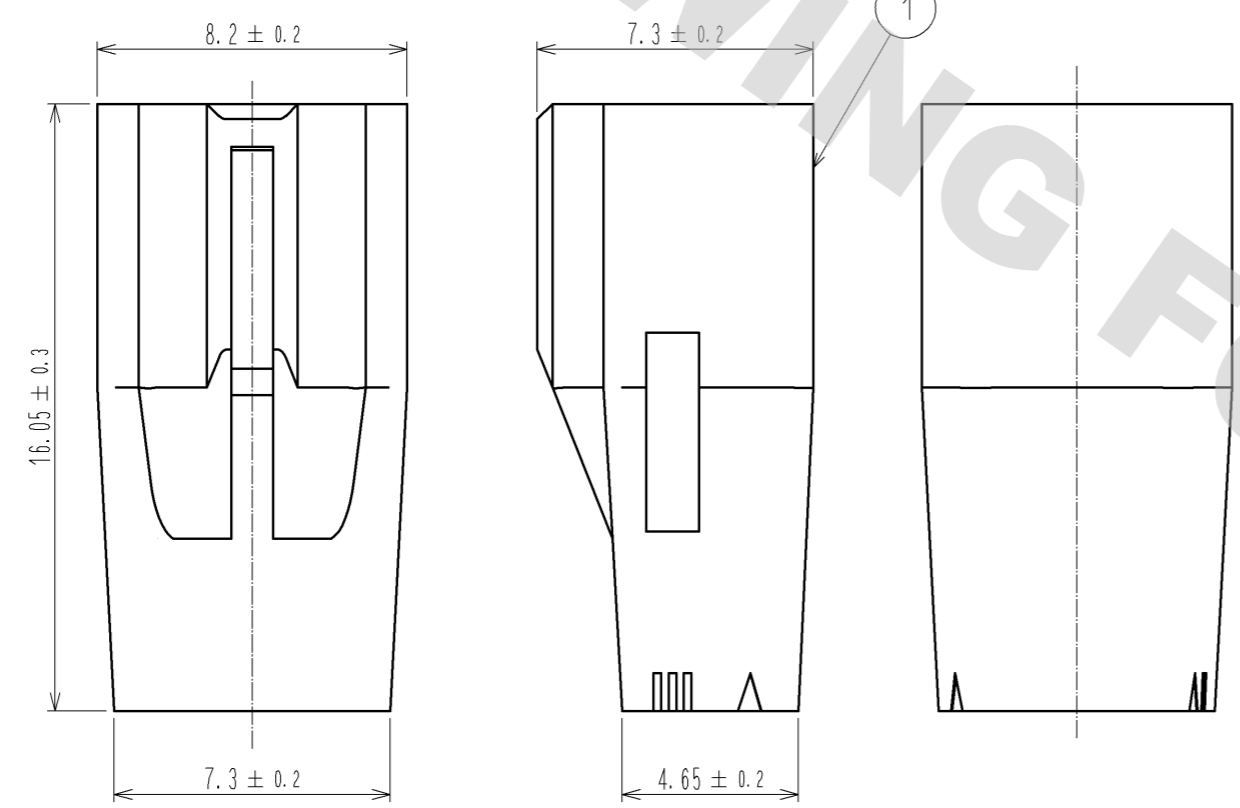
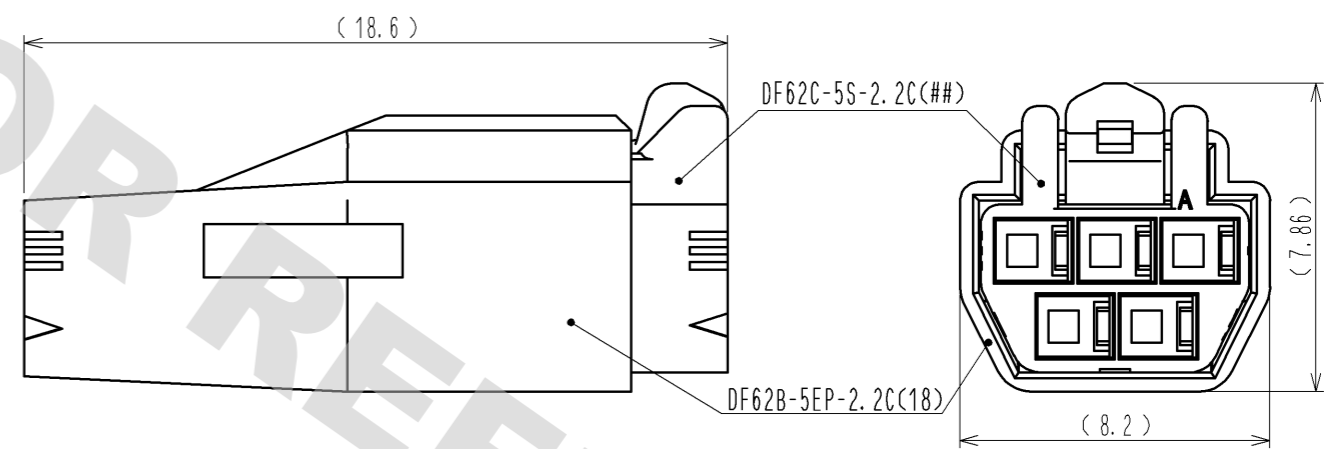
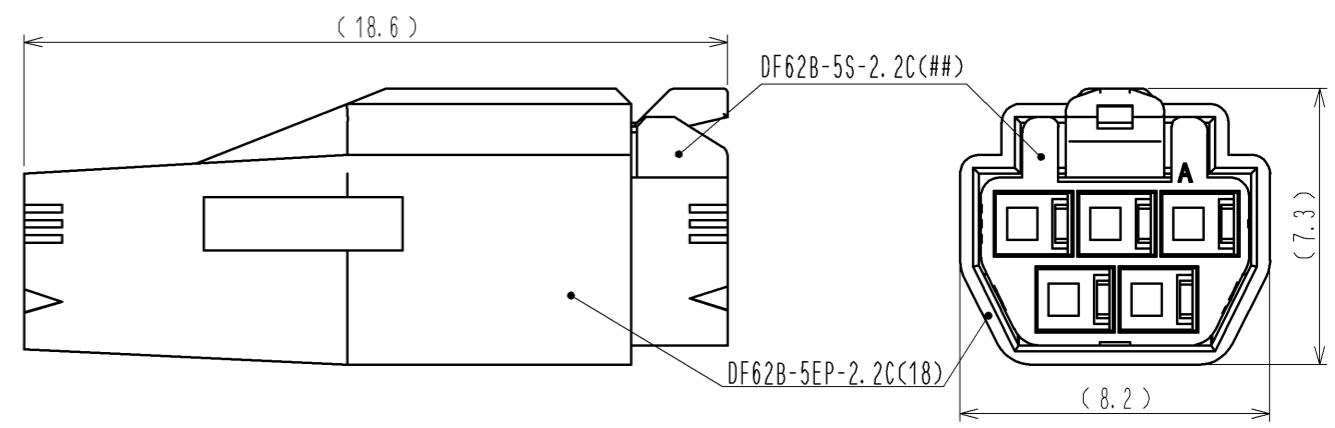
DRAWING FOR REFERENCE: This is subject to change without notice
12/05/2013



1 FIGURE-1 CONTACT No. MARKING (10:1)



MATING FIGURE



NOTE. 1 MARKINGS AT THE INDICATED POSITIONS ARE CONTACT NO. MARKING. AND SHAPES ARE SHOWN IN FIGURE-1.
2. PER PACK : 100 PIECES.
3. THE DIMENSIONS IN PARENTHESIS ARE FOR REFERENCE.

NO.		MATERIAL		FINISH . REMARKS		1	PBT	UL94V-0 (RED)
UNITS mm		SCALE 5 : 1		COUNT		DESIGNED		CHECKED
HRS		HIROSE ELECTRIC CO., LTD.		APPROVED : KI. AKIYAMA 13. 09. 10		DRAWING NO.		EDC3-351966-02
				CHECKED : OM. MIYAMOTO 13. 09. 10		PART NO.		DF62B-5EP-2. 2C(18)
				DESIGNED : TH. YOSHIZAWA 13. 09. 09		CODE NO.		CL544-0561-3-18
				DRAWN : MI. SAKIMURA 13. 09. 09				1/1