

**Ordering number FP11086_LISA2-RS-CLIP**

Family	Lisa2	FWHM	24 degrees
Type	Assembly	Efficiency	92 %
LED	LUXEON Rebel ES	cd/lm	-
Color	Black	Gerber File	Available
Diameter	9.9 mm		
Height	6.6 mm		
Style	Round		
Optic Material	PMMA		
Holder Material	PC		
Fastening	Clips, glue		
Status	Ready		

Ordering number FP11072_LISA2-M-CLIP

Family	Lisa2	FWHM	35 degrees
Type	Assembly	Efficiency	93 %
LED	LUXEON Rebel ES	cd/lm	-
Color	Black	Gerber File	Available
Diameter	9.9 mm		
Height	6.6 mm		
Style	Round		
Optic Material	PMMA		
Holder Material	PC		
Fastening	Clips, glue		
Status	Ready		

Ordering number FP11122_LISA2-O-CLIP

Family	Lisa2	FWHM	44+23 degrees
Type	Assembly	Efficiency	81 %
LED	LUXEON Rebel ES	cd/lm	-
Color	Black	Gerber File	Available
Diameter	9.9 mm		
Height	6.6 mm		
Style	Round		
Optic Material	PMMA		
Holder Material	PC		
Fastening	Clips, glue		
Status	Ready		

Ordering number FP11858_LISA2-O-90-CLIP

Family	Lisa2	FWHM	48+20 degrees
Type	Assembly	Efficiency	81 %
LED	LUXEON Rebel ES	cd/lm	-
Color	Black	Gerber File	Available
Diameter	9.9 mm		
Height	6.6 mm		
Style	Round		
Optic Material	PMMA		
Holder Material	PC		
Fastening	Clips, glue		
Status	Ready		



PRODUCT DATASHEET

Lisa2 series

last update 22/10/2012

PHILIPS
LUMILEDS

NOTE: The typical divergence will be changed by different color, chip size and chip position tolerance. The typical total divergence is the full angle measured where the luminous intensity is half of the peak value.



PRODUCT DATASHEET

Lisa2 series

last update 22/10/2012

PHILIPS
LUMILEDS

GENERAL INFORMATION

- Product series especially designed & optimized for LUXEON Rebel ES series of LEDs.
- Special care taken to make light distribution as uniform as possible.
- Lens material optical grade PMMA with high UV and temperature resistance. Allows use of high current and temperature conditions.

Please find more information about used material from below:

http://ledil.fi/sites/default/files/Documents/Technical/Material/PMMA%20N%20UL94_Yellow%20Card.pdf

<http://ledil.fi/sites/default/files/Documents/Technical/Material/PMMA%20N%20PLEXIGLAS-Datasheet.pdf>

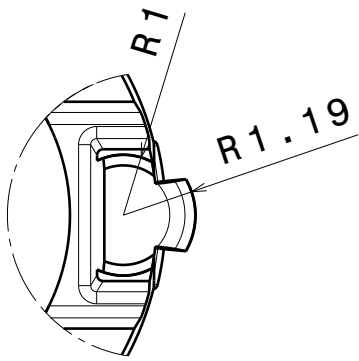
- Optic holder molded by high quality PC material (120 degrees of Celcius / 248 degrees of Fahrenheit).

D

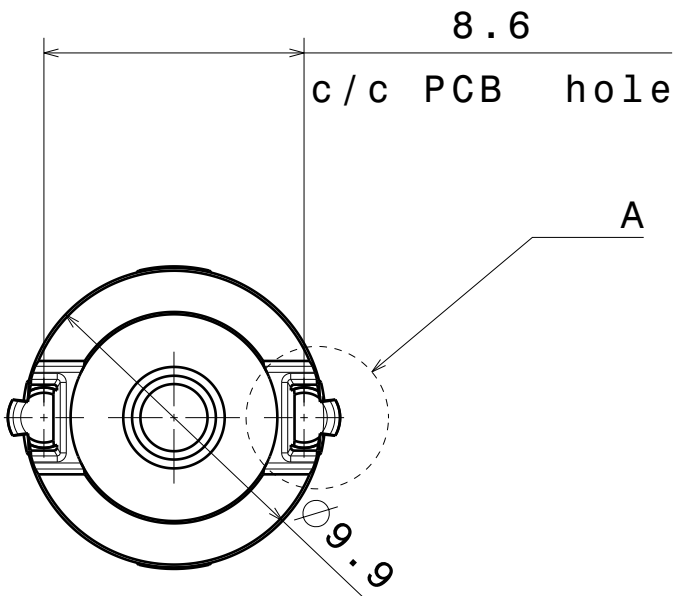
C

B

A



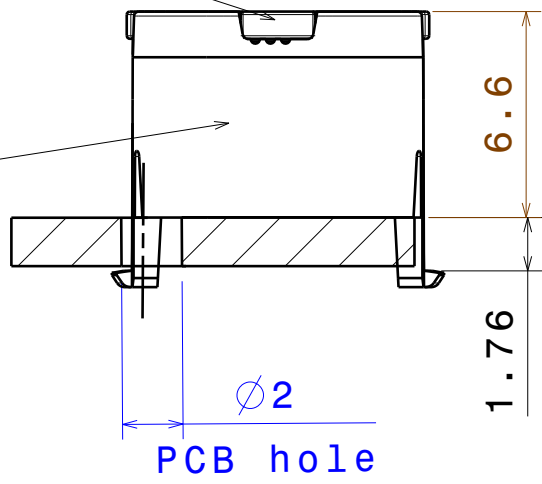
Detail A
Scale: 8:1



Bottom view
Scale: 4:1

Lens

Holder



Front view
Scale: 4:1

Materials:
Lens PMMA
Holder PC

This drawing is our property.
It can't be reproduced
or communicated without
our written agreement.



L
T
F
F
e
e
i
i
N
n

DRAWING TITLE
Datasheet Lisa2-clip16-Rebel series Assy

DRAWN BY a	DATE 20.7.2011
CHECKED BY s n	DATE 20.7.2011
DESIGNED BY hh	DATE 19.10.2009

SIZE A4	DRAWING NUMBER	REV 2
SCALE 4:1	WEIGHT (g)	SHEET 1/1

D

A