

SACC-DSI-M12FS-5CON-M16/0,5

Order No.: 1419658



Sensor/actuator flush-type socket, 5-pos., M12 SPEEDCON, A-encoded, rear/screw mounting with M16 thread, with 0.5 m TPE litz wire, 5 x 0.34 mm²

Commercial data	
GTIN (EAN)	4046356533508
sales group	D125
Pack	1 pcs.
Customs tariff	85444290
Weight/Piece	0.0256 KG
Catalog page information	Page 107 (NTK-2010)

Product notes

WEEE/RoHS-compliant since:
02/25/2010



<http://www.download.phoenixcontact.com>
Please note that the data given here has been taken from the online catalog. For comprehensive information and data, please refer to the user documentation. The General Terms and Conditions of Use apply to Internet downloads.

Technical data	
General data	
Rated current at 40°C	4 A
Rated voltage	60 V
Number of positions	5
Volume resistance	≤ 3 mΩ

Insulation resistance	$\geq 100 \text{ M}\Omega$
Length of cable	0.5 m

General characteristics

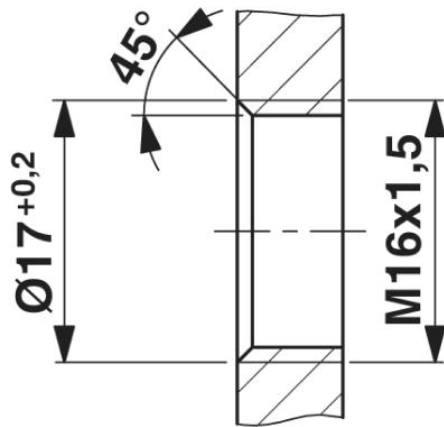
Standards/regulations	M12 male connector IEC 61076-2-101
Coding	A - standard
Surge voltage category	II
Pollution degree	3
Degree of protection	IP67
Contact material	CuZn
Contact surface material	Au
Contact carrier material	PA 66
Material, knurls	Zinc die-cast, (nickel-plated)
Sealing material	NBR
Mounting type	Rear mounting M16 x 1.5 With flat nut
Type of connection	Individual wires
Status display	No

Conductor data

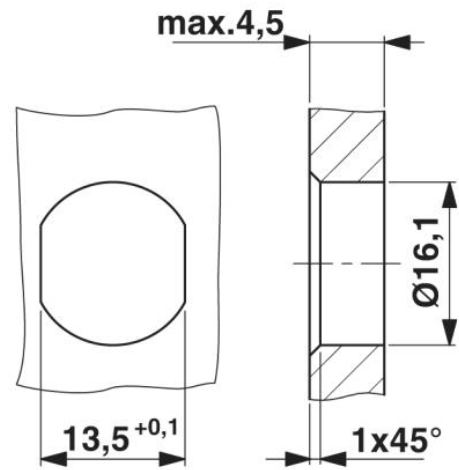
Cable type	TPE litz wire
Conductor cross section	0.34 mm^2
AWG signal line	22
Conductor structure signal line	7x 0.25 mm
Core diameter including insulation	$1.2 \text{ mm} \pm 0.07 \text{ mm}$
Thickness, insulation	0.21 mm
Wire colors	Black, brown, blue, white, gray
Insulation resistance	$\geq 20 \text{ M}\Omega \cdot \text{km}$
Conductor resistance	$\leq 57.6 \text{ m}\Omega/\text{m}$
Nominal voltage, conductor	300 V
Test voltage, conductor	2000 V AC
Material conductor insulation	TPE
Conductor material	Tin-plated Cu litz wires

Diagrams/Drawings

Dimensioned drawing

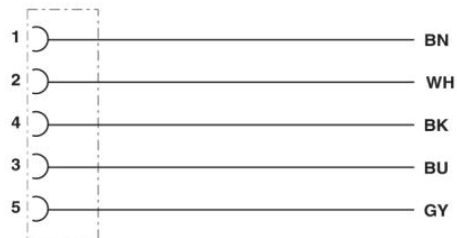


Housing cutout for M16 fastening thread, mounting panel with thread



Housing cutout for M16 fastening thread, mounting panel with feed-through hole (alternatively with surface as protection against rotation)

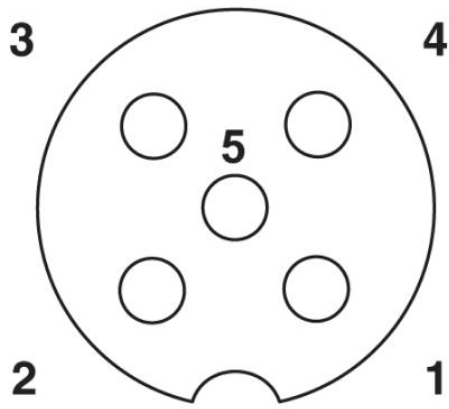
Circuit diagram



Contact assignment of the M12 socket

Schematic diagram

Pin assignment M12 socket, 5-pos., A-coded, socket side view



Address

PHOENIX CONTACT Ltd
Halesfield 13
Telford Shropshire TF7 4PG,GB
Phone 01952 681 700
Fax 01952 681 799
<http://www.phoenixcontact.co.uk>



© 2010 Phoenix Contact
Technical modifications reserved;
