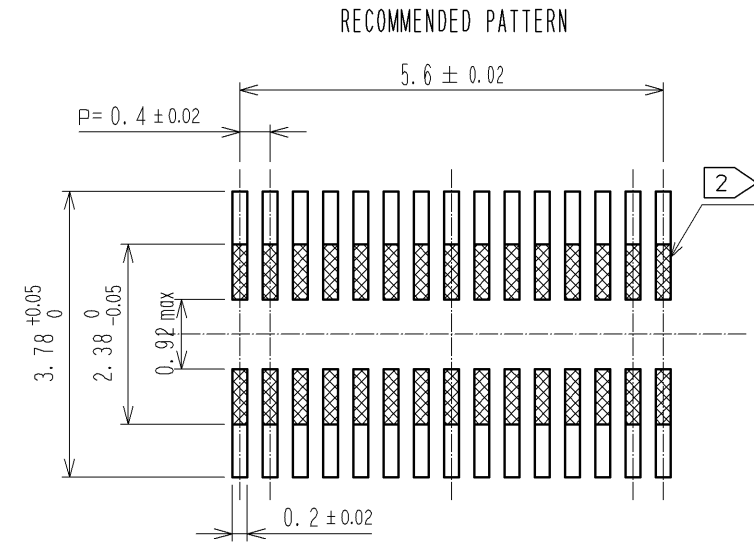
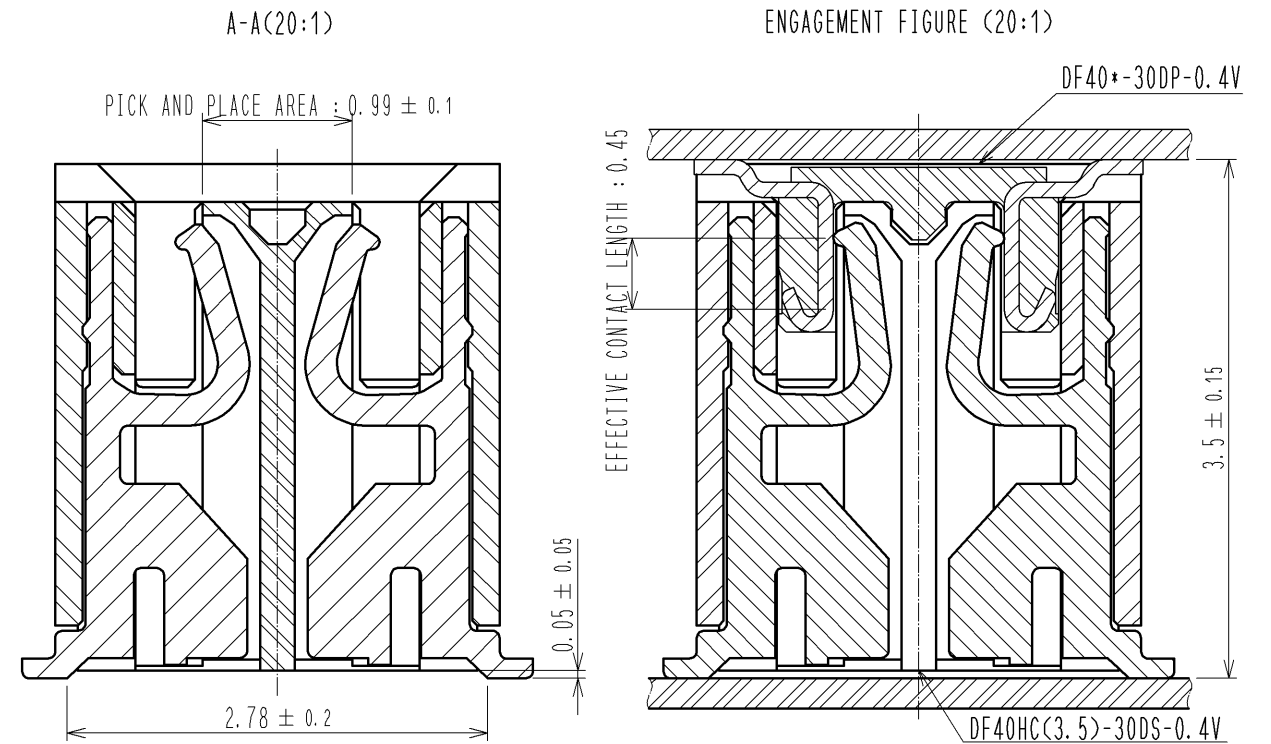


NOTE 1. ALL LEADS CO-PLANARITY SHALL BE 0.1 MAX.
 2 IS NO PATTERN AREA OTHER THAN THE SAME CIRCUIT.
 3 GATE POSITION IS POSITIONED IN APPROXIMAL AREA SHOWN.

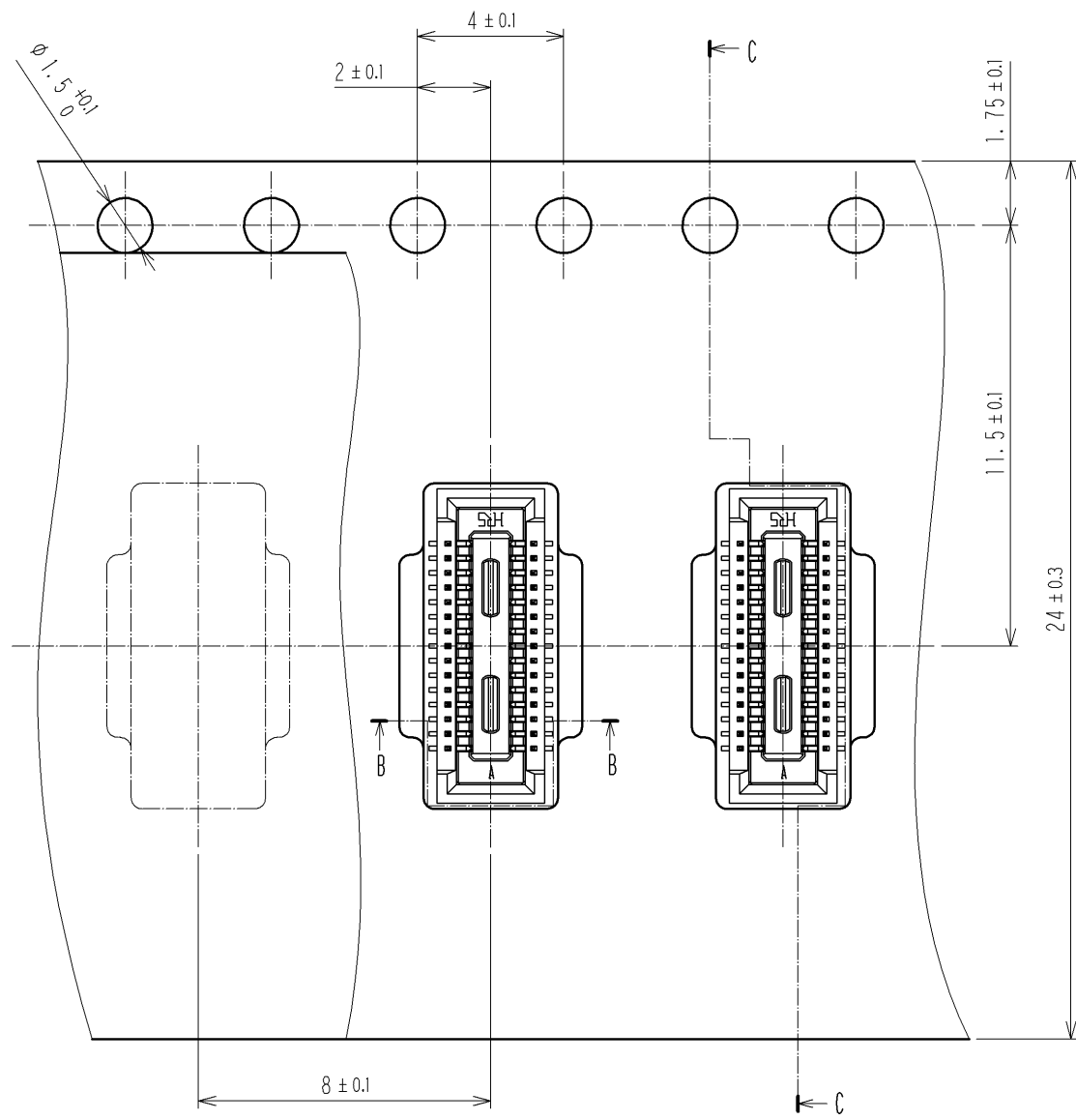


RECOMMENDED METAL MASK THICKNESS : 120 μm
 RECOMMENDED METAL MASK OPENING RATIO : 80% FOR LEAD PAD

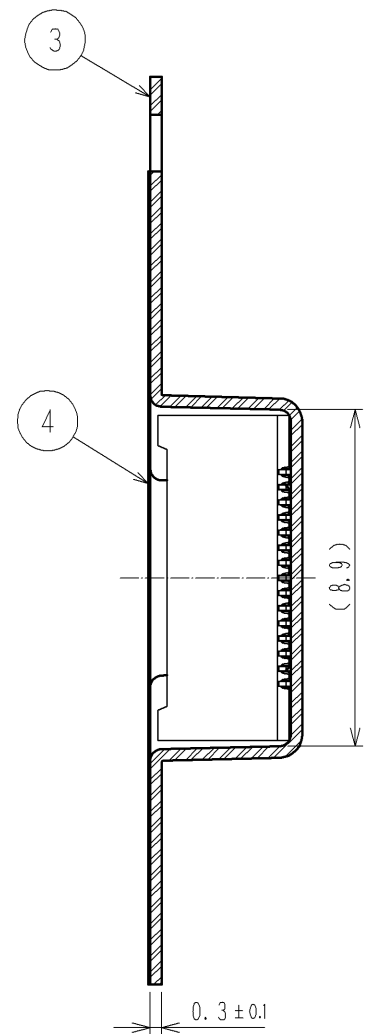


2	PHOSPHOR BRONZE	CONTACT AREA: GOLD 0.05 μm MIN	5	PS	BLACK			
		SMT LEAD: GOLD 0.05 μm MIN			4	POLYESTER	CLEAR, COVER TAPE	
		UNDERPLATING: NICKEL 1 μm MIN			3	PS	CLEAR, EMBOSSED CARRIER TAPE	
1	LCP	BLACK, UL94V-0	3	PS	CLEAR, EMBOSSED CARRIER TAPE			
NO.	MATERIAL	FINISH, REMARKS	NO.	MATERIAL	FINISH, REMARKS			
UNITS	mm	SCALE	10 : 1	COUNT	DESCRIPTION OF REVISIONS	DESIGNED	CHECKED	DATE
HIROSE ELECTRIC CO., LTD.		APPROVED : KH. IKEDA	09.10.27	DRAWING NO. EDC3-321699-01				
		CHECKED : AR. TAKAHASHI	09.10.27	PART NO. DF40HC(3.5)-30DS-0.4V(51)				
		DESIGNED : TK. SUZUKI	09.10.27	CODE NO. CL684-4136-7-51				
		DRAWN : TK. SUZUKI	09.10.27					

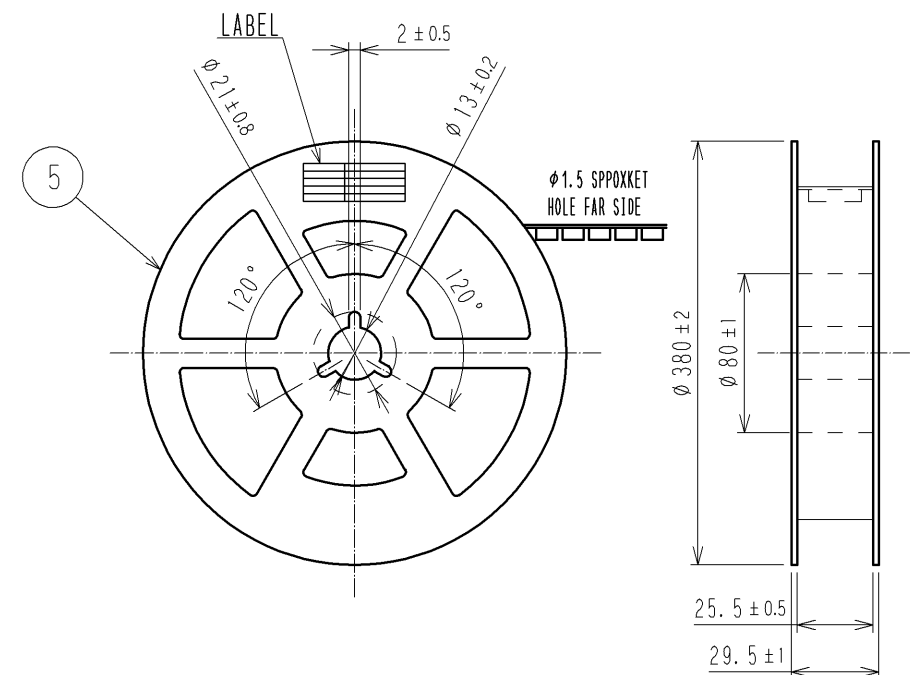
SCALE (5:1)



C-C(5:1)



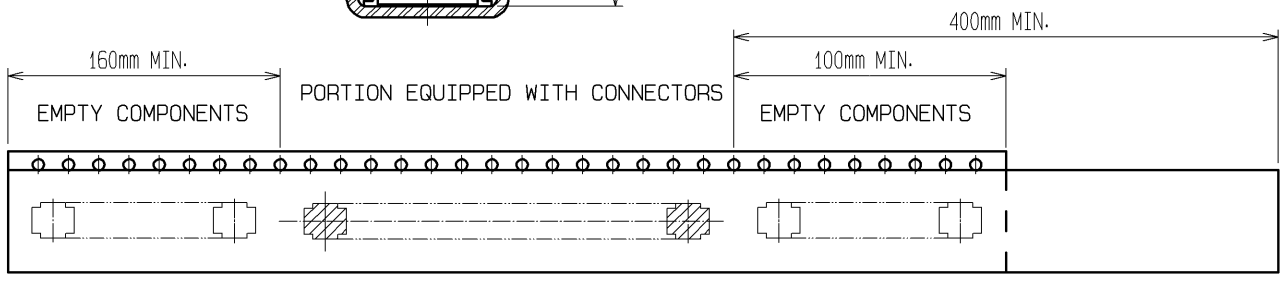
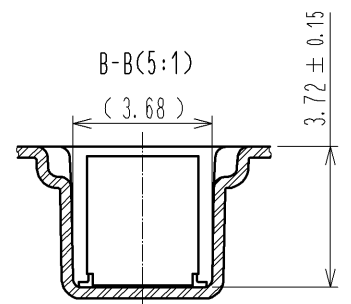
STYLE AND DIMENSION OF REEL (FREE SIZE)



7 > DETAIL OF PART NO. LABEL

製造年月日	** ** *
製品コード	CL684-4136-7-51
製品名	DF40HC(3.5)-30DS-0.4V(51)
数量	2000
納入者	ヒロセ電機(株)

DIRECTION OF UNREELING →



- NOTES)
- 4. PER REEL 2000 CONNECTORS.
 - 5. THE DIMENSIONS IN PARENTHESES ARE FOR REFERENCE.
 - 6 REFER TO JIS C 0806(PACKING OF COMPONENTS FOR AUTOMATIC HANDOLING)
 - 7 > DETAIL OF PART NO. LABEL IS WRITTEN IN JAPANESE.
- PRODUCTION DATE:
 PRODUCT CODE: CL684-4136-7-51
 PART NUMBER: DF40HC(3.5)-30DS-0.4V(51)
 NUMBER OF PIECES: 2000 PIECES
 SUPPLIER NAME: HIROSE ELECTRIC CO., LTD.

HRS	DRAWING NO.	EDC3-321699-01
	PART NO.	DF40HC(3.5)-30DS-0.4V(51)
	CODE NO.	CL684-4136-7-51
		△ 2/2