

Datasheet

RS Pro DC Axial Fan, 40 x 40 x 10 mm (OD4010 Series)



Specifications:

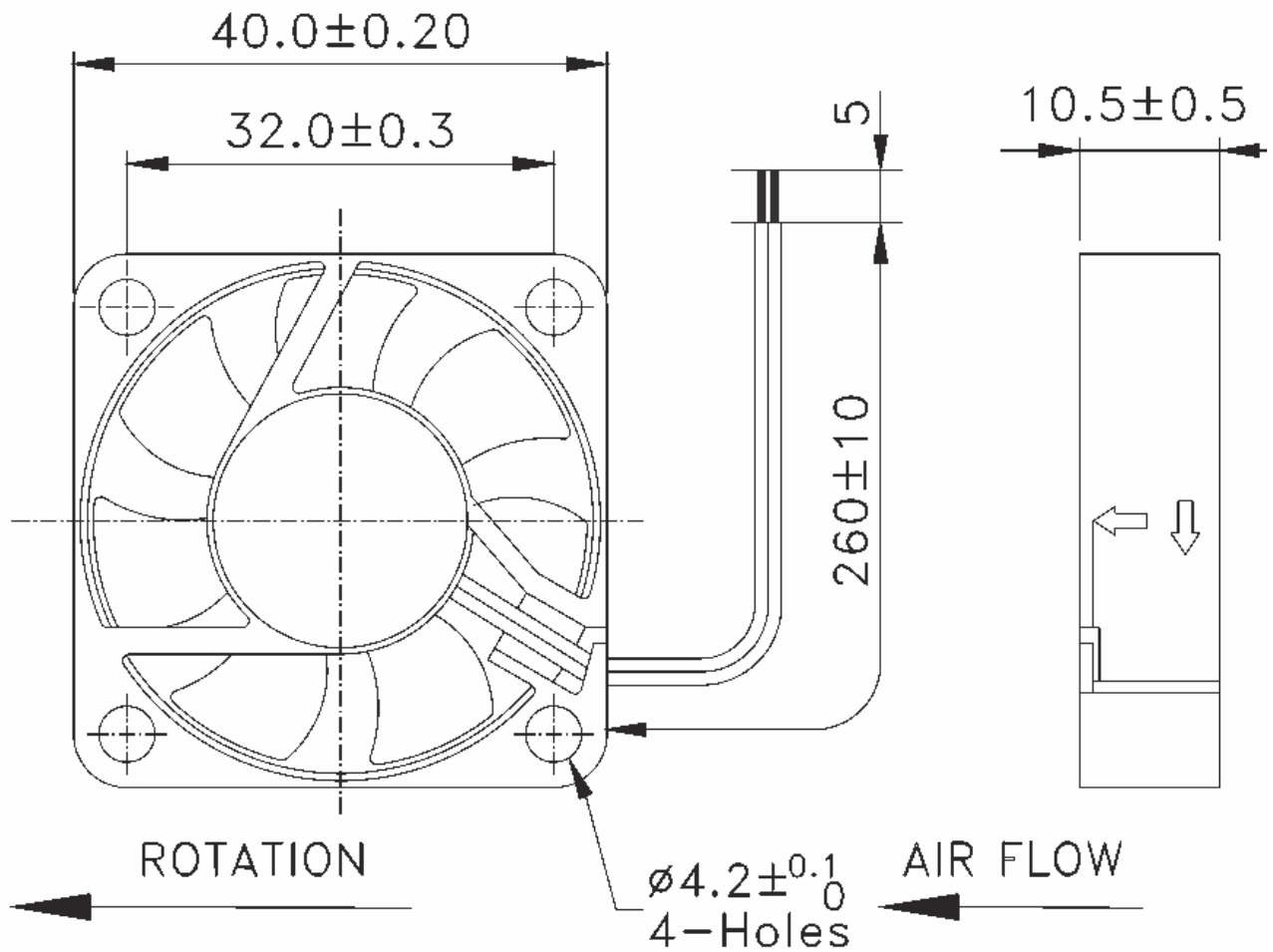
- Frame: Die cast Aluminium
- Impeller: PBT , UL94V-0 Thermoplastic
- Motor: Brushless DC, polarity protected, locked rotor protected (current limited), auto restart
- INSULATION RESISTANCE Min. 10M ohms at 500VDCLIFE EXPECTANCY (L10) :Ball Bearing 60,000 Hours
- Operating Temperature -10C ~ +70C
- Safety Approvals: UL/CUL, TUV, CE

Available Options

- Tachometer
- Locked Rotor Alarm



ENGLISH



RS Pro S/N	Orion Part Number	Speed	Airflow	Noise	Volts	Voltage	Current	Connection Type
6197037	OD4010-12HB(01A)*	6000	6.7	25	12	6~13.8	0.1	Wire
6196043	OD4010-24HB(01A)*	6000	6.7	25	24	12~27.6	0.09	Wire