

# Product Data Sheet

## 15mm Equal Elbow Connector

a  
b c

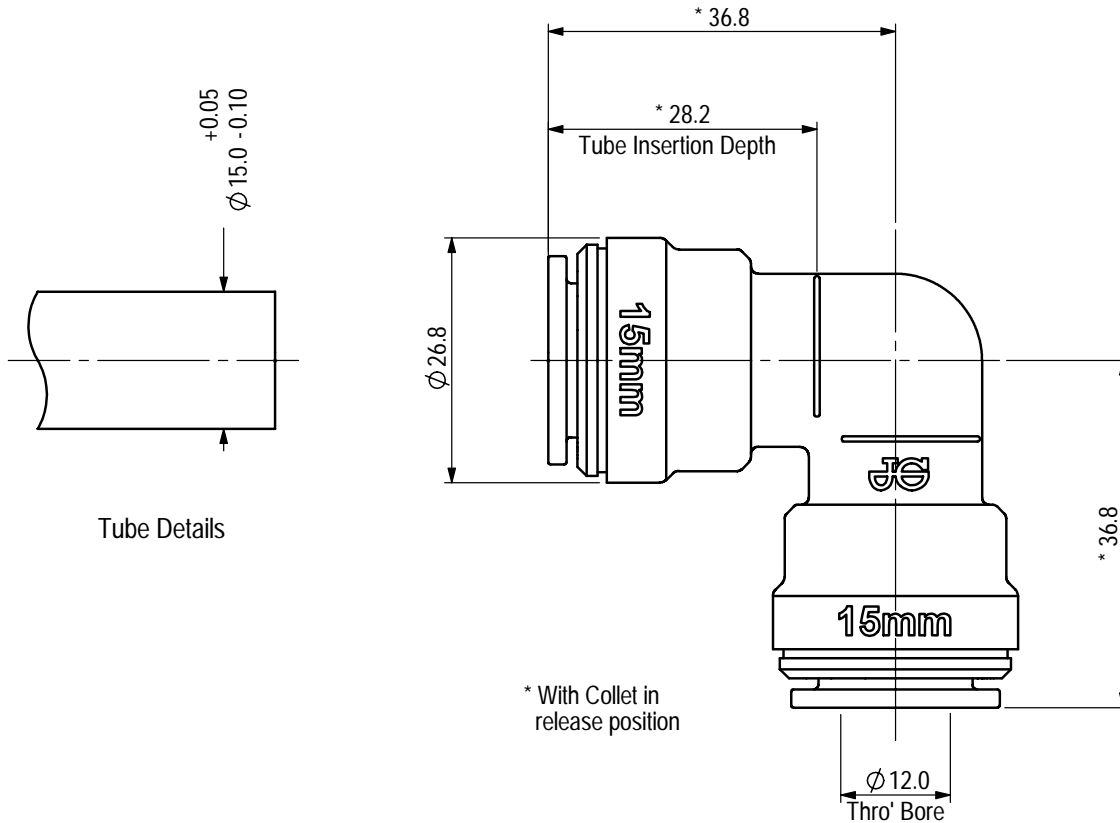


Applications	
Drinks Dispense	✓
Pure Water	✓
Pneumatics	✓

The John Guest 15mm Equal Elbow Connector has been developed for a wide range of applications involving foodstuffs, potable liquids and air.

### Working Temperatures and Pressures

-20°C to +70°C at 10 Bar max.



Part Description	Material
Body	Acetal Co-Polymer (Unfilled), Black
Collets	Acetal Co-Polymer (Unfilled), Black / Stainless Steel
'O' Rings	Nitrile, Black

### All Dimensions in mm

THE COPYRIGHT IN THIS DRAWING AND THE PRODUCTS REFERRED THEREON BELONG TO JOHN GUEST INTERNATIONAL LIMITED AND THIS DRAWING NOR THE INFORMATION CONTAINED HEREIN SHALL BE PRODUCED IN ANY FORM OR USED FOR ANY PURPOSE WITHOUT WRITTEN CONSENT © 2005

The company has a policy of continuous research and development and reserves the right to amend without notice the specification and design of all products illustrated. For details of terms and conditions and any other technical enquiries, please contact our Customer Services Department.

JGE 2095/DS JAN 05

ECN17806

ISSUE 1

03-10-05

**DS-PM0315E**

ECN17806
NEW DRAWING CREATED

ISSUE	DATE DRAWN	DATE ISS.	DRN. BY	ISS. BY	ECN	CHECKED	APPROVED
1	03-10-05	03-10-05	TB	TB	17806	DAP	DAP

DATA SHEET No.	DS-PM0315E
TITLE	15mm EQUAL ELBOW CONNECTOR

JGE 2095/DS JAN 05

ISSUE 1

**DS-PM0315E**