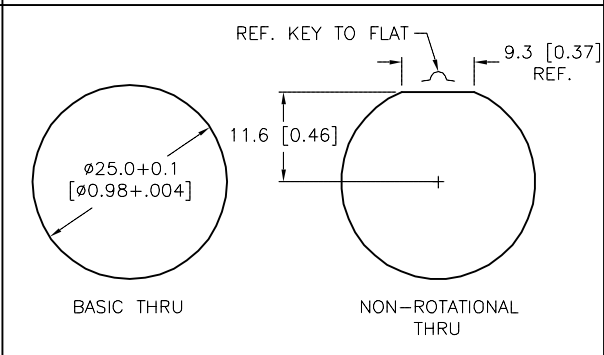
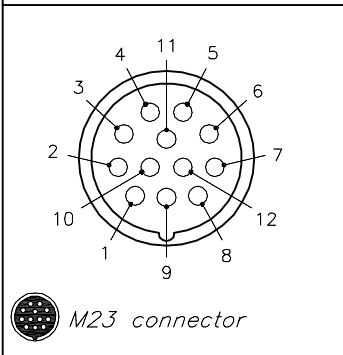


MALE END VIEW

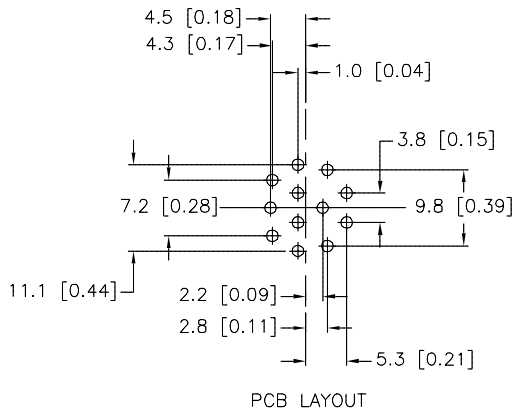
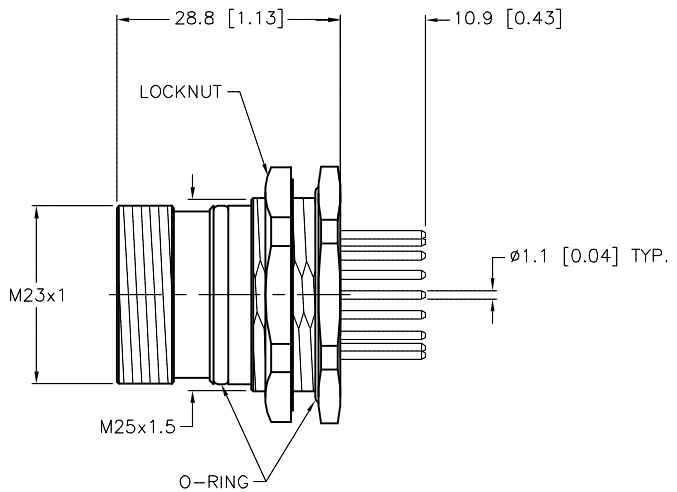
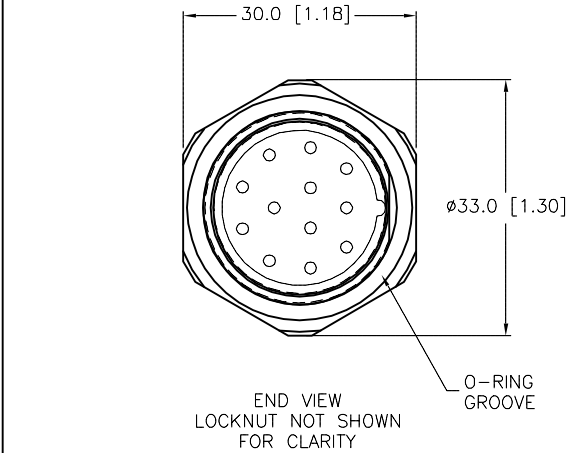
PANEL CUTOUT (TYPICAL)

SPECIFICATIONS



CONTACT CARRIER MATERIAL	NYLON PBT
CONTACT MATERIAL/PLATING	BRASS/GOLD
CONNECTOR HOUSING MATERIAL/PLATING	BRASS/NICKEL
SEALING RING	BUNA N OR FLUOR RUBBER
RATED CURRENT [A]	6.0 A MAX.
RATED VOLTAGE [V]	300 V
CONDUCTORS	12 PRINTED CIRCUIT PINS
PROTECTION CLASS	IEC IP65

M23 connector



NOTE
PRELIMINARY
SPECIFICATIONS

SOURCE DRAWING - FOR REFERENCE ONLY

NOTES:
1. MAXIMUM WALL THICKNESS 6.5 [.256].

RELATED DOCUMENTS		3RD ANGLE PROJECTION		THIS DRAWING IS CONFIDENTIAL AND THE PROPERTY OF TURCK INC. USE OF THIS DOCUMENT WITHOUT WRITTEN PERMISSION IS PROHIBITED.		 3000 CAMPUS DRIVE MINNEAPOLIS, MN 55441 1-800-544-7769 (763) 553-7300 (763) 553-0708 fax turck.com	
1.			ALL DIMENSIONS DISPLAYED ON THIS DRAWING ARE FOR REFERENCE ONLY	DRFT	RDS	DATE	08/15/06
2.				APVD	JB	SCALE	1=1.0
3.		UNIT OF MEASUREMENT				DESCRIPTION	
4.		MILLIMETER [INCH]				CSFD 12-PCBL	
MATERIAL		SEE SPECIFICATIONS		CONTACT TURCK FOR MORE INFORMATION		IDENTIFICATION NO.	
FINISH		SEE SPECIFICATIONS		DO NOT SCALE THIS DRAWING		U2-09319	
REV		DESCRIPTION		BY		REV	
P1				RDS		P1	
				08/15/06		FILE: U2-09319	
				DATE		SHEET 1 OF 1	
				ECO NO.			