

DO NOT SCALE

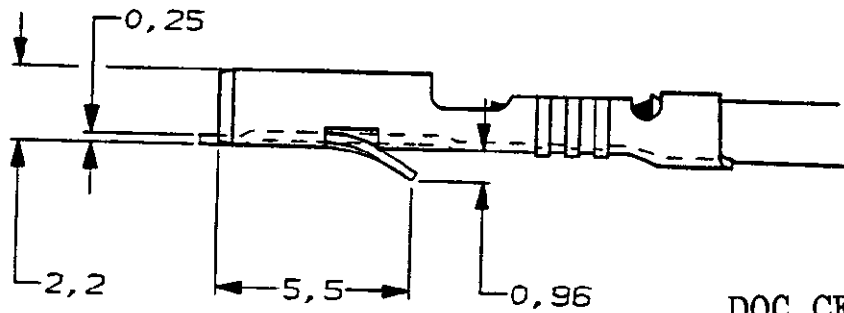
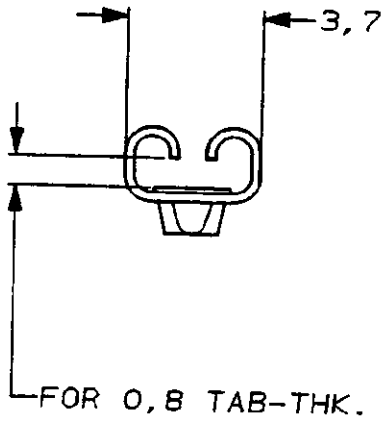
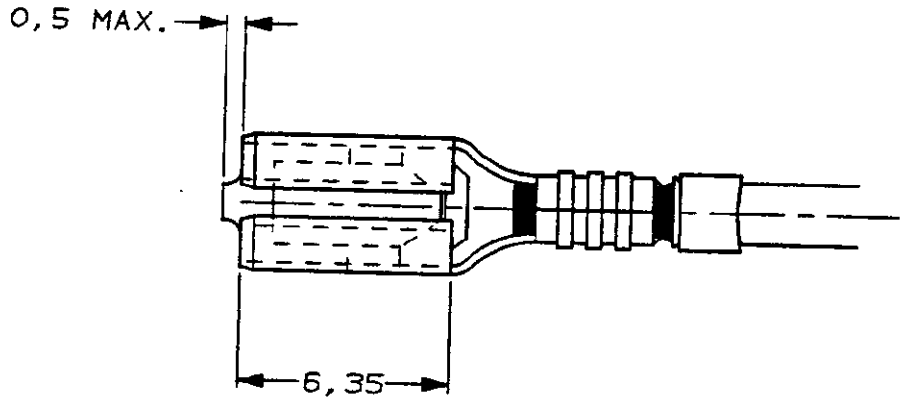
DIMENSIONS IN mm

METRIC

THIRD ANGLE
PROJECTION



WIRE RANGE :
0,3-0,6 mm² 22-20AWG
INSULATION RANGE :
1,3-2,0 DIA .050-.080 DIA



DOC. CENTRE
24 APR. 1995

FINISH	MATERIAL	PARTNUMBER
TINPLATED	PH. BRONZE	160173-7
UNPLATED	PH. BRONZE	160173-6
GOLDPLATED	BRASS	160173-5
NICKELPLATED	BRASS	160173-4
SILVERPLATED	BRASS	160173-3
TINPLATED	BRASS	160173-2
UNPLATED	BRASS	160173-1

-	-	-	-	-
-	-	-	-	-
-	-	-	-	-
-	-	-	-	-
-	-	-	-	-
-	-	-	-	-
D	EH-0065-95	DK	PB	18 JAN 95
LTR.	REVISION RECORD	DR.	CHK.	DATE

CUSTOMER DRAWING FOR REFERENCE ONLY
WILL NOT BE UPDATED
© COPYRIGHT 19- BY AMP HOLLAND B.V.
ALL INTERNATIONAL RIGHTS RESERVED. AMP PRODUCTS MAY BE
COVERED BY U.S. AND FOREIGN AND/OR PATENTS PENDING.
THIS DRAWING IS UNPUBLISHED
RELEASED FOR PUBLICATION

AMP | AMP HOLLAND B.V.
s-Hertogenbosch,
The Netherlands.

NAME
.110 SRS FASTIN-ON
RECEPTACLE

DR. : D.KESSLER	CHK. : P.BEIJNON	APP. : L.v.SOEEST	DWG.No.	REV.LTR.	SHEET
DATE: 18 JAN 95	DATE: -	DATE: -	C-160173	D	1 OF 1
					A4