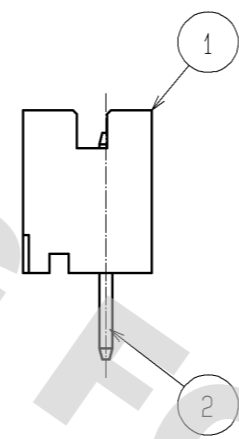
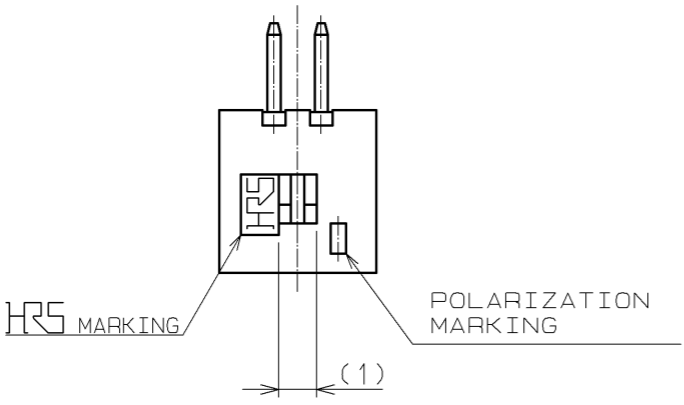
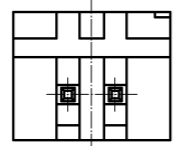
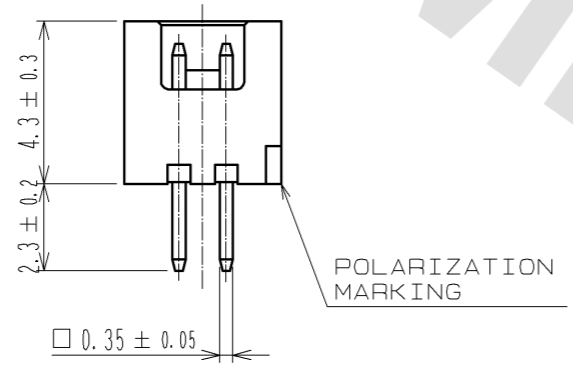
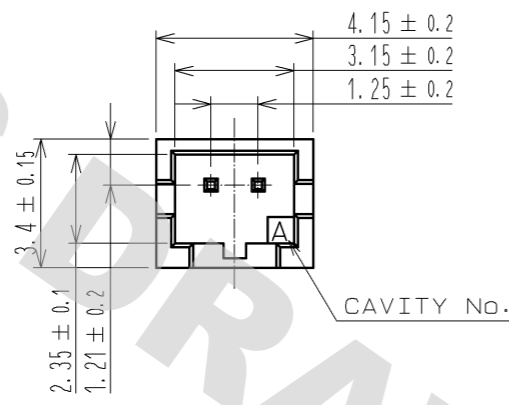
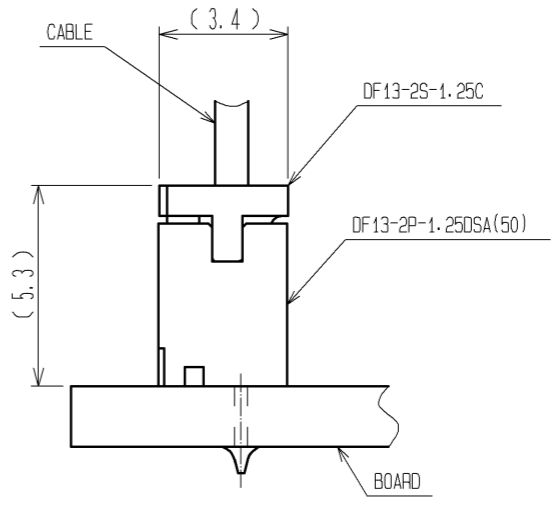


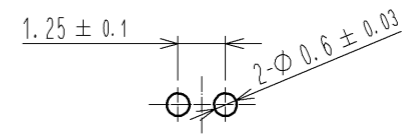
DRAWING FOR REFERENCE: This is subject to change without notice
08/11/2012



1 APPLICATION FIGURE



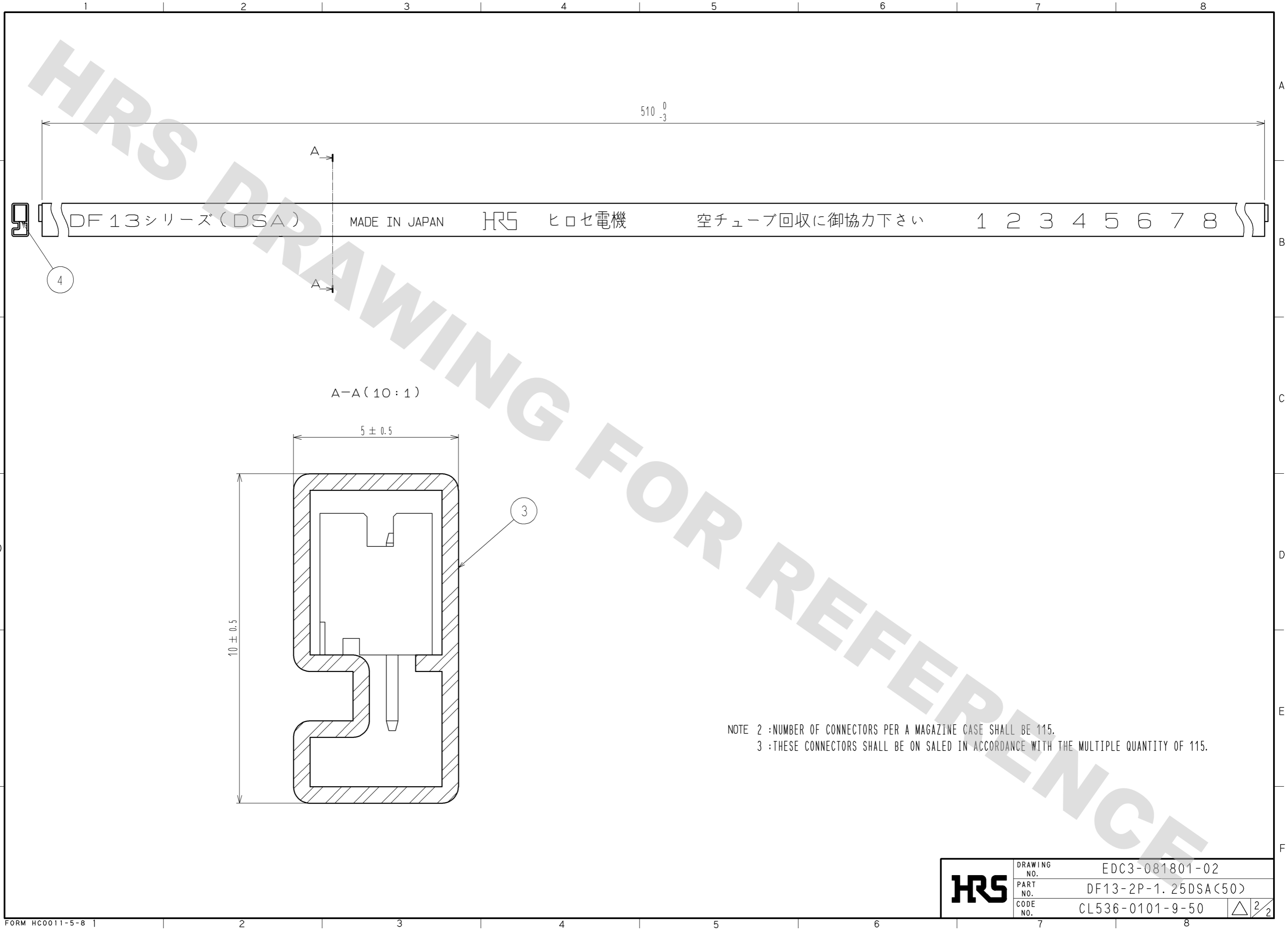
RECOMMENDED PATTERN (BOARD THICKNESS 1mm)



NOTE 1 WHEN THIS CONNECTOR MATES WITH DF13-2S-1.25C, THE MATING LENGTH IS 5.3mm.

2	BRASS	SURFACE:GOLD PLATED 0.2μm min UNDER PLATING:NICKEL PLATED 0.5μm min	4	STYRENIC-BASED ELASTOMERS	STOPPER, GREEN			
1	POLYAMIDE	BEIGE (NATURAL), UL94V-0	3	PS	ELECTROSTATIC PROTECTION, CLEAR			
NO.	MATERIAL	FINISH, REMARKS	NO.	MATERIAL	FINISH, REMARKS			
UNITS mm		SCALE 5 : 1		COUNT	DESCRIPTION OF REVISIONS	DESIGNED	CHECKED	DATE
HRS HIROSE ELECTRIC CO., LTD.		APPROVED : TS. SAKATA	08.09.01	DRAWING NO. EDC3-081801-02				
		CHECKED : TS. KUMAZAWA	08.08.29	PART NO. DF13-2P-1.25DSA(50)				
		DESIGNED : SN. KOBAYASHI	08.08.29	CODE NO. CL536-0101-9-50				
		DRAWN : SN. KOBAYASHI	08.08.29					

DRAWING FOR REFERENCE: This is subject to change without notice
08/11/2012



NOTE 2 : NUMBER OF CONNECTORS PER A MAGAZINE CASE SHALL BE 115.
3 : THESE CONNECTORS SHALL BE ON SALED IN ACCORDANCE WITH THE MULTIPLE QUANTITY OF 115.

HRS	DRAWING NO.	EDC3-081801-02
	PART NO.	DF13-2P-1.25DSA(50)
	CODE NO.	CL536-0101-9-50
		△ 2/2