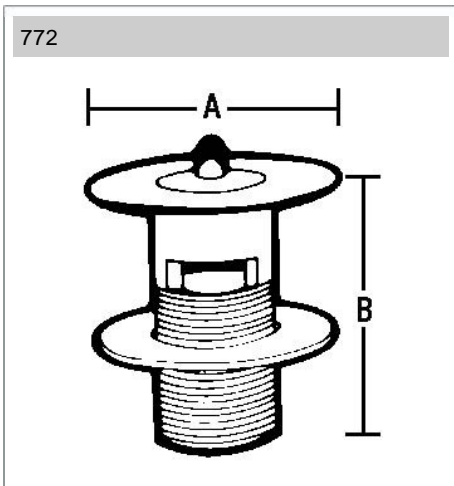




Sink Waste, Slotted 3.3/8" flange, 3.1/2" tail, metal backnut, plug



Size	Pattern No.	Pack 1 Qty	Pack 2 Qty	Code	Barcode	Price (£) ex VAT
1.1/2	772	5	0	526011	5013866017070	£10.10



Code	Description	A	B
526011	1.1/2 772 CP SINK WASTE SLOTTED	3 3/8	3 1/2

Pegler Yorkshire reserve the right to change specifications

5 Year Guarantee
Luxury Taps and Mixers

Pegler Yorkshire Customcare 5 Year Guarantee - Terms and Conditions

Product are subject to a 5 year guarantee that is between Pegler Yorkshire and the final purchaser of the product.

The guarantee is subject to proof of purchase being supplied.

This guarantee does not affect any statutory rights the consumer may have in law.

The guarantee covers manufacturing or material defects and does not cover parts subject to normal wear and tear.

Finishes other than chrome are covered for a period of 3 years only and the guarantee on the finish is subject to the cleaning instructions being followed.

The guarantee is not applicable where the product is fitted contrary to the conditions in the fitting instructions.

Abusive behaviour and accidental damage to the product are not covered by this guarantee.

The extent of this liability is limited to the cost of the replacement of the defective item and not to fitting or consequential damages.

Description	Minimum Operating Pressure (bar)	Maximum Cold Working Pressure (bar)	Maximum Hot Working Pressure (bar)
772 Sink Waste, Slotted	No Minimum Operating Pressure	No Maximum Cold Working Pressure	No Maximum Hot Working Pressure

Care

To maintain the surface finish, simply wipe occasionally with a mild detergent on a soft damp cloth. Dry, using a soft cloth. Never use abrasive cleaners or chemical household cleaners and avoid contact with

concentrated bleach.

Maintenance

No regular maintenance is required for this product.

In case of complete replacement Pegler recommend service valves should be fitted to the supply inlets.

For any further help or replacement parts please contact the Service Support Team on 0800 1560050.

Regulations

It is important to ensure that the water supplies to your waste are connected in accordance with the water regulations (WRAS) requirements and good plumbing practice.

This product has been designed in accordance with BS3380 standard.