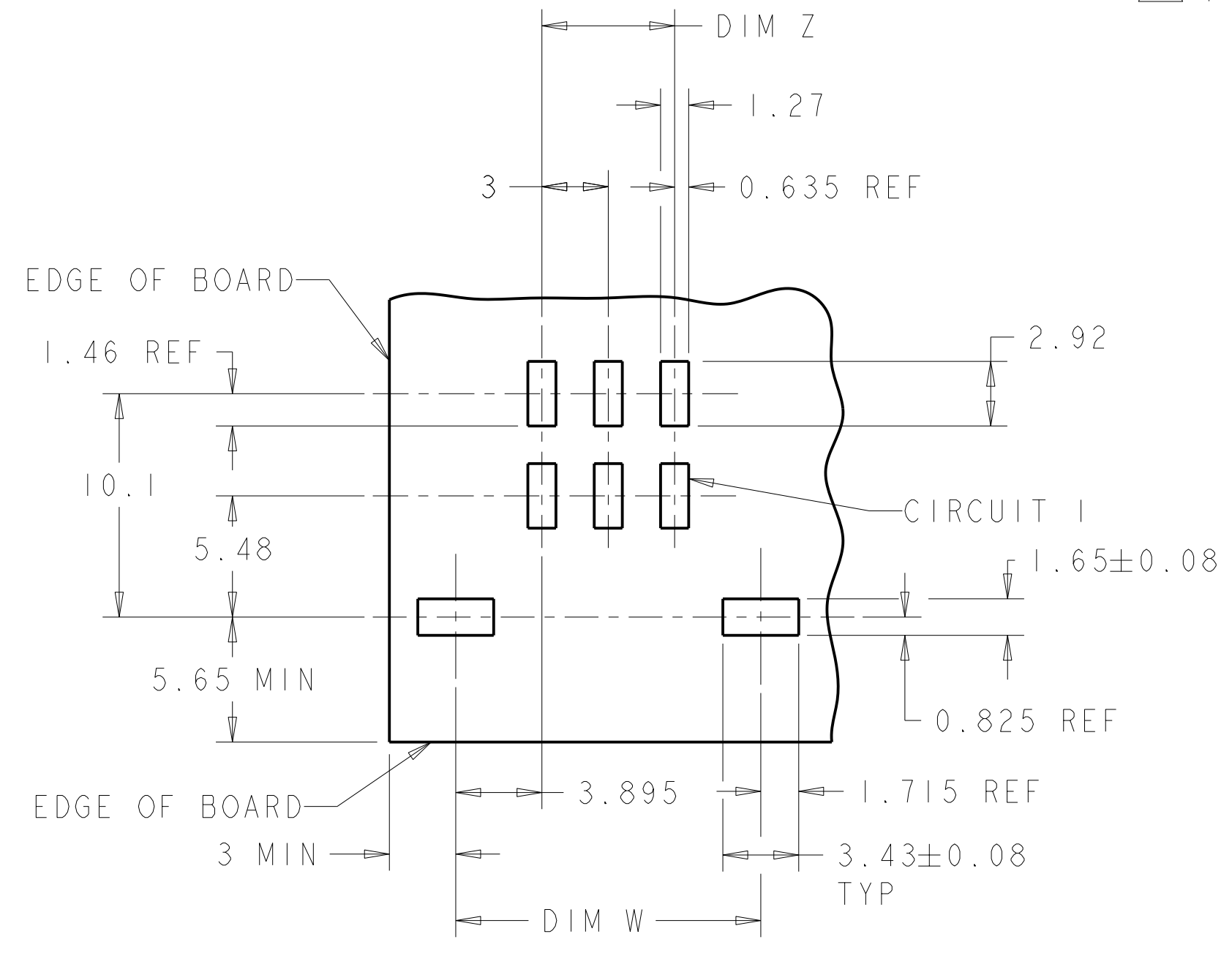
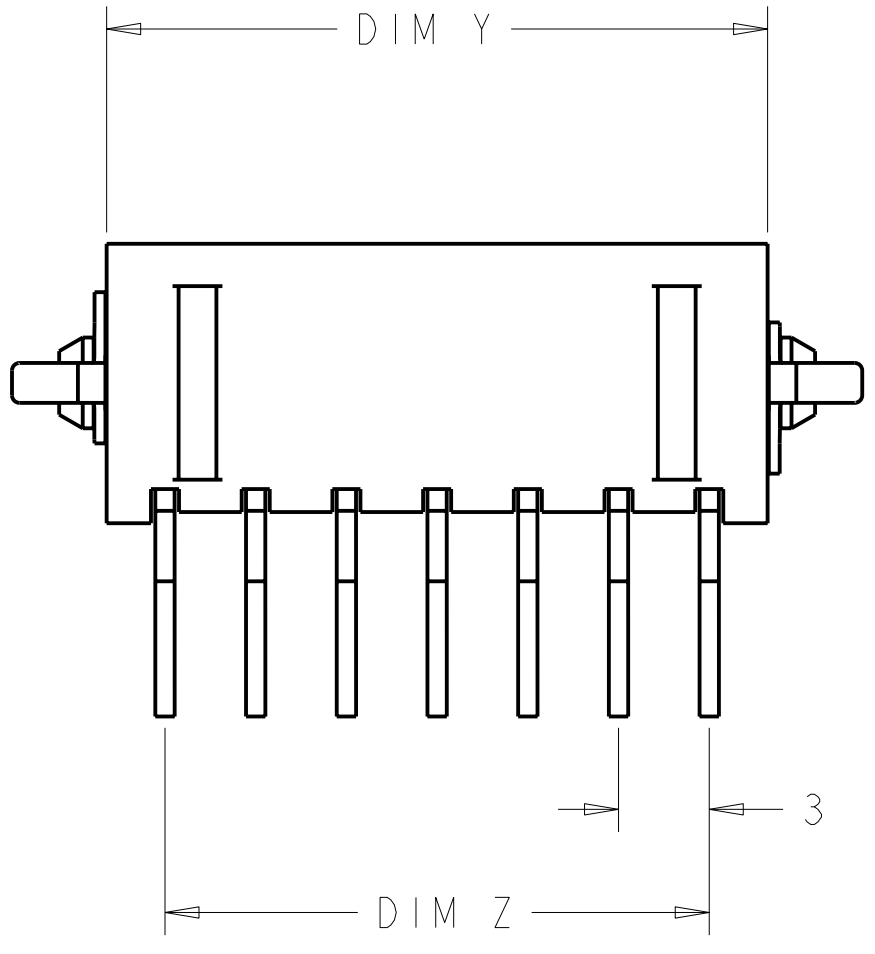
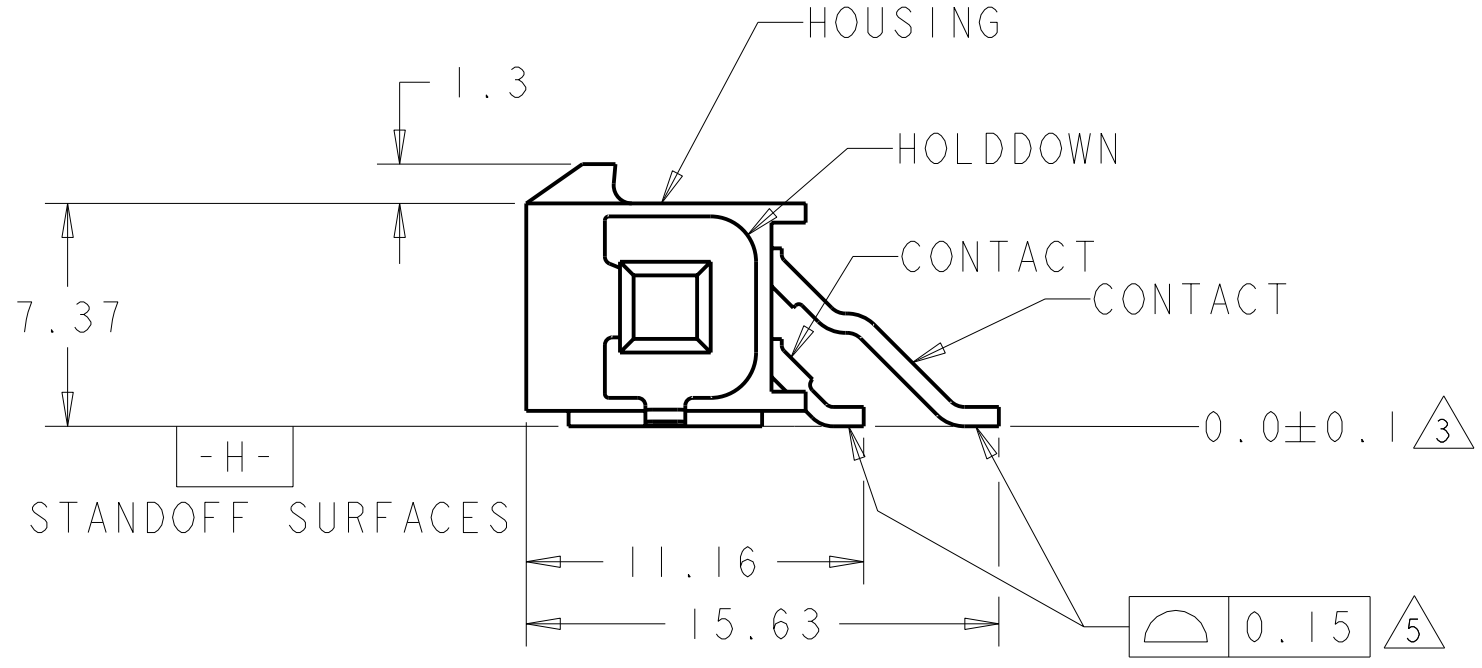
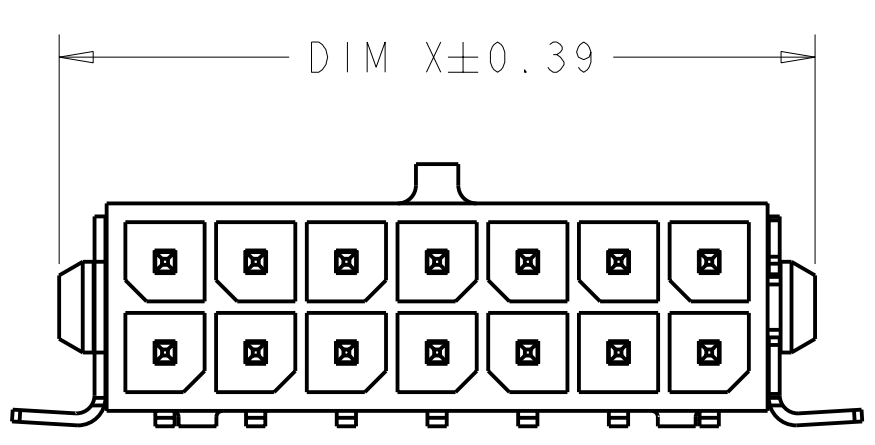


THIS DRAWING IS UNPUBLISHED. RELEASED FOR PUBLICATION 20
 © COPYRIGHT 20 BY TYCO ELECTRONICS CORPORATION. ALL RIGHTS RESERVED.

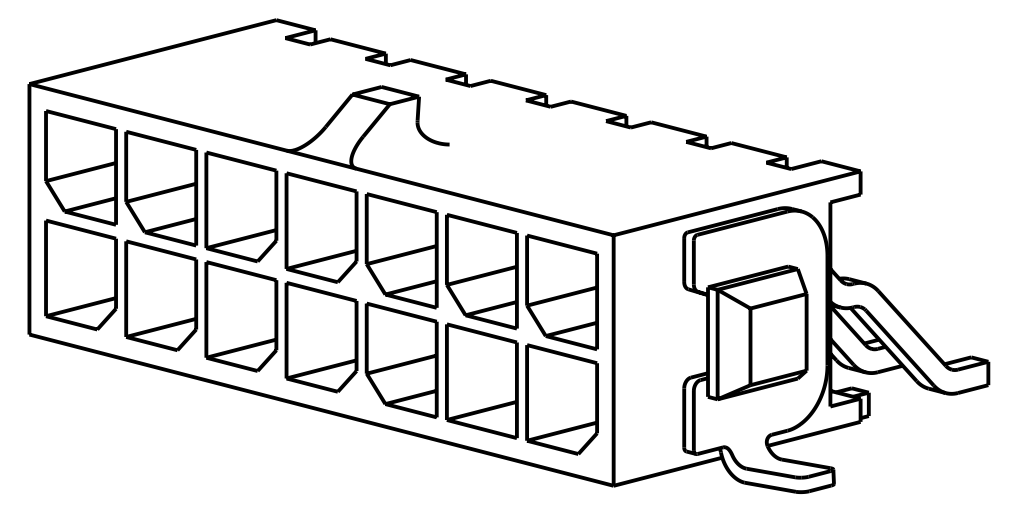
| LOC | DIST | REVISIONS | | | | | |
|-----|------|-----------|-----|---------------------------|-----------|-----|------|
| CM | 00 | P | LTR | DESCRIPTION | DATE | DWN | APVD |
| | | H | | REVISED PER ECO-09-014573 | 19JUN2009 | HMR | MS |



- ① MATERIAL;
 CONTACTS - BRASS.
 HOUSING - UL 94V-0 RATED HIGH TEMP NYLON,
 COLOR; BLACK.
 HOLD DOWNS - PHOSPHOR BRONZE.
- ② FINISH;
 CONTACTS - 2.54µm MINIMUM TIN-LEAD OVER 1.27µm
 MINIMUM NICKEL.
 HOLD DOWNS - 2.54µm TIN-LEAD.
- ③ DIMENSION APPLIES TO SOLDERTAIL SURFACES
 AND STANDOFF SURFACES.
- ④ RECOMMENDED PC BOARD THICKNESS OF 1.57.
- ⑤ ALL SOLDERTAILS AND HOLD DOWNS.
- ⑥ FINISH;
 CONTACTS - 2.54µm MINIMUM MATTE TIN OVER 1.27µm
 MINIMUM NICKEL.
 HOLD DOWNS - 2.54µm MINIMUM MATTE TIN.

| ⑥ | 36.86 | 40.79 | 33.00 | 40.00 | 24 | 5-794627-4 |
|--------|-------|-------|-------|-------|--------------|------------|
| | 33.86 | 37.79 | 30.00 | 37.00 | 22 | 5-794627-2 |
| | 30.86 | 34.79 | 27.00 | 34.00 | 20 | 5-794627-0 |
| | 27.86 | 31.79 | 24.00 | 31.00 | 18 | 4-794627-8 |
| | 24.86 | 28.79 | 21.00 | 28.00 | 16 | 4-794627-6 |
| | 21.86 | 25.79 | 18.00 | 25.00 | 14 | 4-794627-4 |
| | 18.86 | 22.79 | 15.00 | 22.00 | 12 | 4-794627-2 |
| | 15.86 | 19.79 | 12.00 | 19.00 | 10 | 4-794627-0 |
| | 12.86 | 16.79 | 9.00 | 16.00 | 8 | 3-794627-8 |
| | 9.86 | 13.79 | 6.00 | 13.00 | 6 | 3-794627-6 |
| | 6.86 | 10.79 | 3.00 | 10.00 | 4 | 3-794627-4 |
| | 3.86 | 7.79 | - | 7.00 | 2 | 3-794627-2 |
| ② | 36.86 | 40.79 | 33.00 | 40.00 | 24 | 2-794627-4 |
| | 33.86 | 37.79 | 30.00 | 37.00 | 22 | 2-794627-2 |
| | 30.86 | 34.79 | 27.00 | 34.00 | 20 | 2-794627-0 |
| | 27.86 | 31.79 | 24.00 | 31.00 | 18 | 1-794627-8 |
| | 24.86 | 28.79 | 21.00 | 28.00 | 16 | 1-794627-6 |
| | 21.86 | 25.79 | 18.00 | 25.00 | 14 | 1-794627-4 |
| | 18.86 | 22.79 | 15.00 | 22.00 | 12 | 1-794627-2 |
| | 15.86 | 19.79 | 12.00 | 19.00 | 10 | 1-794627-0 |
| | 12.86 | 16.79 | 9.00 | 16.00 | 8 | 794627-8 |
| | 9.86 | 13.79 | 6.00 | 13.00 | 6 | 794627-6 |
| | 6.86 | 10.79 | 3.00 | 10.00 | 4 | 794627-4 |
| | 3.86 | 7.79 | - | 7.00 | 2 | 794627-2 |
| FINISH | DIM Y | DIM W | DIM Z | DIM X | NO. OF POSN. | ASSEMBLY |

RECOMMENDED PCB LAYOUT ④
 (COMPONENT SIDE)



SCALE 5:1

THIS DRAWING IS A CONTROLLED DOCUMENT FOR TYCO ELECTRONICS CORPORATION
 IT IS SUBJECT TO CHANGE AND THE CONTROLLING ENGINEERING ORGANIZATION
 SHOULD BE CONTACTED FOR THE LATEST REVISION.

| | | | |
|-------------------|---|--|---|
| DIMENSIONS: mm | TOLERANCES UNLESS OTHERWISE SPECIFIED: 0 PLC ± 1 PLC ± 2 PLC ±0.13 3 PLC ± 4 PLC ± ANGLES ± FINISH | DWN S. HOOVER 23-MAR-2005 CHK C. JONES 23-MAR-2005 APVD C. JONES 23-MAR-2005 | Tyco Electronics AMP Incorporated Harrisburg, PA 17105-3608 |
| MATERIAL ① | SEE TABLE | PRODUCT SPEC - APPLICATION SPEC - WEIGHT - | NAME SURFACE MOUNT, RIGHT ANGLE, SURFACE MOUNT HOLD DOWN, ASSEMBLY, TIN HEADER, DUAL ROW, MICRO MATE-N-LOK (TM) SIZE A2 CAGE CODE 00779 DRAWING NO C-794627 RESTRICTED TO - |
| CUSTOMER DRAWING | | SCALE 4:1 | SHEET 1 OF 1 REV H |