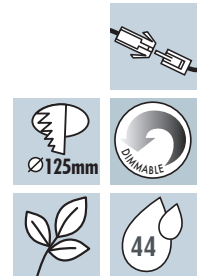


ZEN5 LED DOWN LIGHT KIT 16W ~ 5" 84lm/W



- Bright lumen output, low glare
- High efficiency LED chip and reflector system
- Quick connect external dimmable driver included compatible with leading edge & trailing edge dimmer
- Energy savings of 85% & low maintenance costs
- Anodised aluminium heat sink
- Long life - 50k hours
- 100° beam angle
- Insulation spacer frame ~ Low heat generation

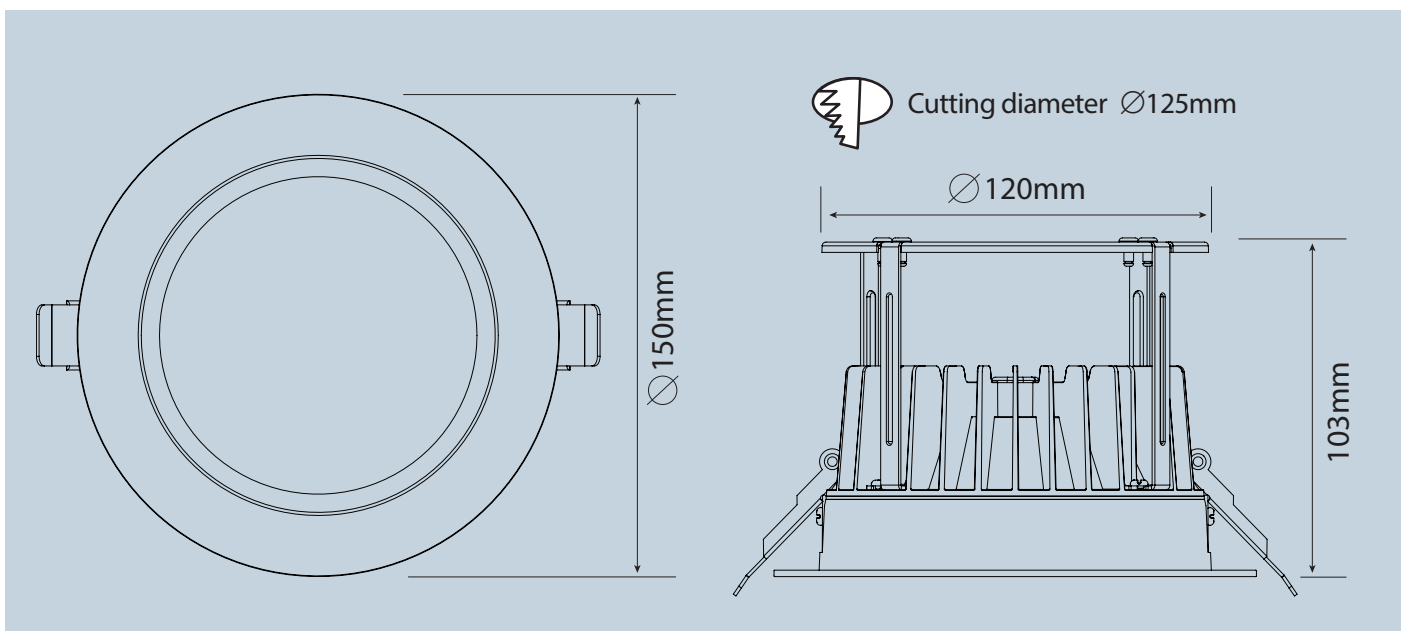


ZEN ~ 5" Specification

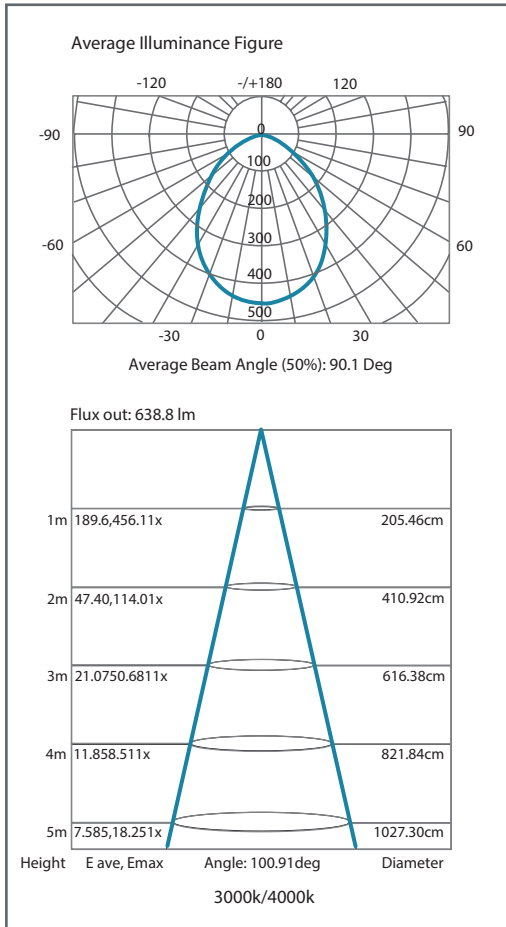
Model Number	ZEN5 16W3K-W	ZEN5 16W4K-W	ZEN5 16W3K-SN	ZEN5 16W4K-SN
Fitting Colour	White	White	Satin Nickel	Satin Nickel
Input Current	350mA			
Input Voltage	46V			
Power	16W			
Lumens	1200lm	1350lm	1200lm	1350lm
Colour (K)	3000	4000	3000	4000
Lumen Field Angle	100°			
Working Temperature	-20°C ~ +40°C			
CRI	80			
Weight	460g			
Dimensions	Ø150 x 103mm			

Optional
Emergency
pack available
~ EP3

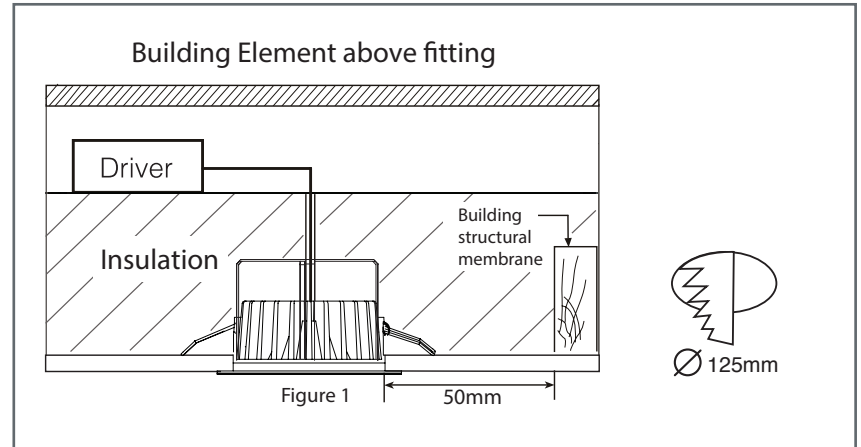
Mechanical Diagrams



Photometrics



Installation



Driver Connection

