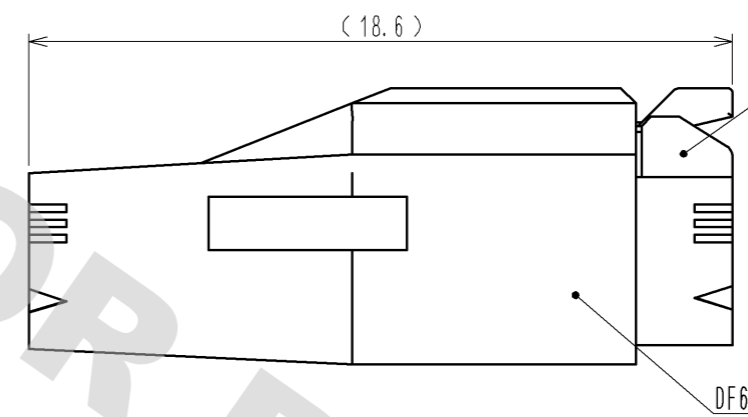
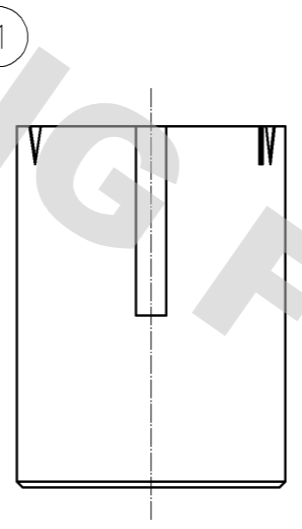
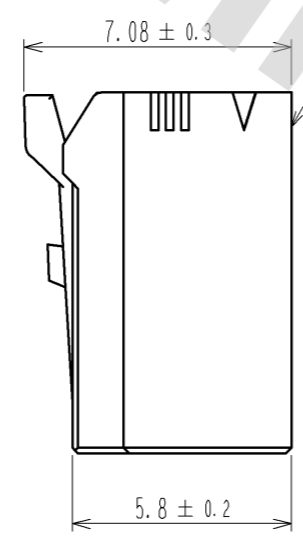
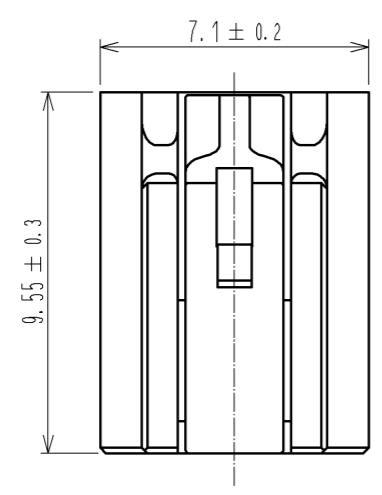
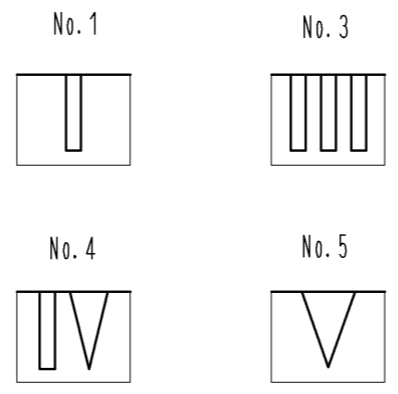
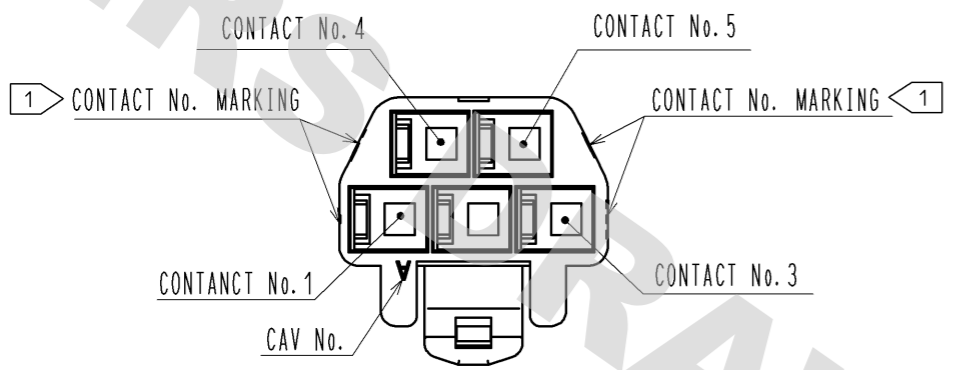
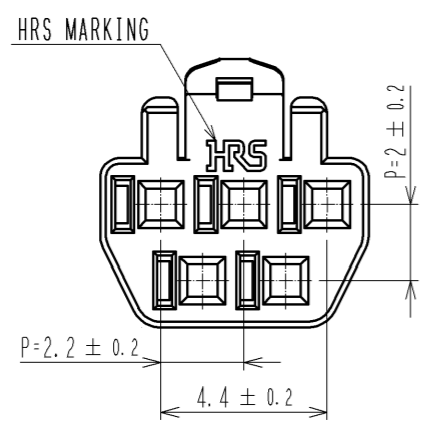
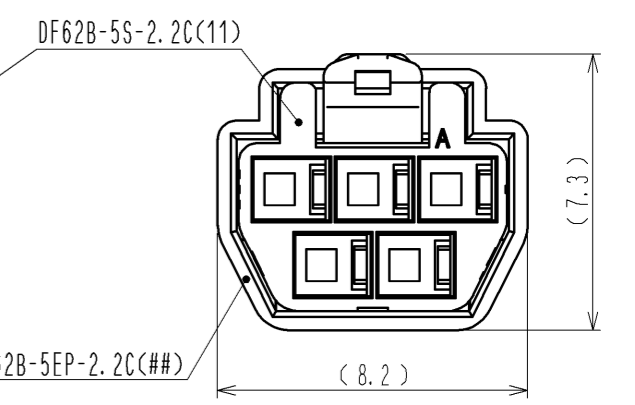


DRAWING FOR REFERENCE: This is subject to change without notice
12/05/2013

1 FIGURE-1 CONTACT No. MARKING (10:1)



MATING FIGURE



NOTE. 1. MARKINGS AT THE INDICATED POSITIONS ARE CONTACT NO. MARKING. AND SHAPES ARE SHOWN IN FIGURE-1.
2. PER PACK : 100 PIECES.
3. THE DIMENSIONS IN PARENTHESIS ARE FOR REFERENCE.

| | | | | | | | | |
|----------------------------------|----|------------|---------------|--------------------------|-----------------------------|----------|---------|-----------------|
| NO. | | MATERIAL | | FINISH . REMARKS | | 1 | PBT | UL94V-0 (BLACK) |
| UNITS | mm | SCALE | COUNT | DESCRIPTION OF REVISIONS | | DESIGNED | CHECKED | DATE |
| | | 5 : 1 | △ | | | | | |
| HIROSE ELECTRIC CO., LTD. | | APPROVED : | KI. AKIYAMA | 13. 09. 11 | DRAWING NO. EDC3-351959-01 | | | |
| | | CHECKED : | OM. MIYAMOTO | 13. 09. 11 | PART NO. DF62B-5S-2. 2C(11) | | | |
| | | DESIGNED : | TH. YOSHIZAWA | 13. 09. 11 | CODE NO. CL544-0554-8-11 | | | |
| | | DRAWN : | MI. SAKIMURA | 13. 09. 06 | | | | |