

Professionally approved products.
Datasheet

T Adaptor

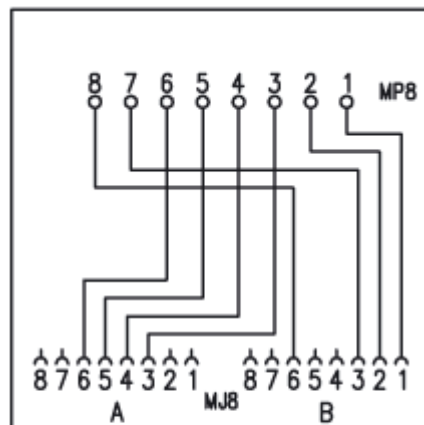
RS Stock number 400-9045



Description:

2 x 10/100BT, shielded, outputs 2 x 10/100 Base T, light grey RAL 7035 (MOQ 1)

Dimensions - mm



T-Adapter Cat.5
 ISDN / 10/100BT
 4-5, 3-6/1-2, 3-6