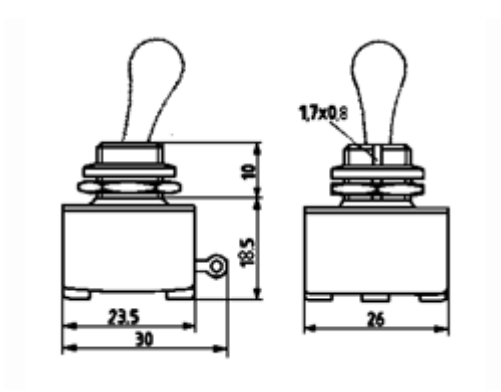





Marquardt Mechatronik GmbH
Schloss-Str. 16
78604 Rietheim-Weilheim
Germany

Phone: +49 (0) 7424 / 99-0
Fax: +49 (0) 7424 / 99-2399
Net: www.marquardt.de
E-mail: marquardt@marquardt.de

Product image / Drawings



Technical data

Product number	0132.0601
Actuator color / printing	
Product family	Toggle switches
Weight	27.296 g
ROHS conform	yes
Distributor	EVG
Switching function	ON / OFF switch (DPST)
Material fixed contact	CuZn silver-plated
Number of poles	2 - pole
connections	Solder terminal
Mechanical life endurance	5E4
Rating IEC	2 A 250 V 1E4
Actuators and additional actuators	lever: metal
Housing description	base plate: Duroplast, black bracket plate: CnZn nickel-plated, with labelling 0 - I threaded socket: CnZn nickel-plated, with knurled nut and hexagonal nut of nickel-plated CuZn
Connection surface	bearing connection silver plated external connection silver plated
Contact material	CuZn silver plated
Contact type	jump contact (roll contact)
Miscellaneous	actuating torque 90.0 Nmm ± 27.0
Type of fastening	central fastening M12 x 0.75
Stock version	●