



ENGLISH

Datasheet

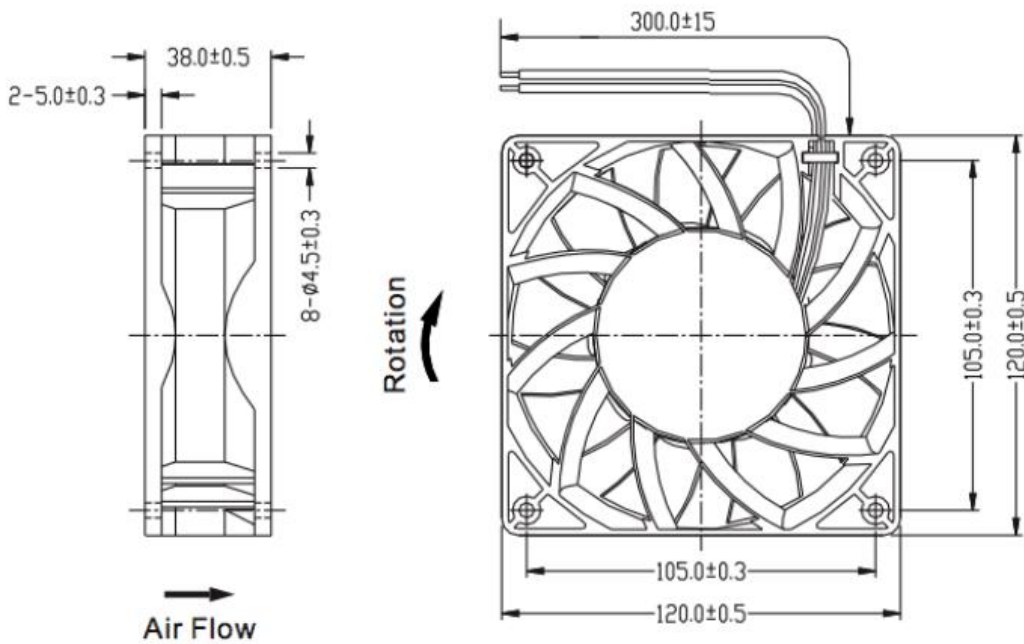
DC Axial Fan, 120 x 120 x 38mm, 384m/h, 24 V dc (OD1238 Series)

RS Stock number [703-3473](#)



RS Order Number	7033473
Model Number	OD1238-24HB-VXC10a
Nominal Voltage (VDC)	24
Nominal Current (A)	1.7
Voltage Range (VDC)	12 ~ 28
Rated Speed (RPM)	5000
Airflow (CFM)	226
Noise Level (dB)	65
Max. Static Pressure	1.35 "H2O

Drawing(mm):



Specifications:

Frame & Impeller:	PBT, UL94V-O plastic
Connection:	4x Lead wires 24AWG + YEL, -BLACK
Motor:	Brushless DC, auto restart, polarity protected
Bearing System:	Dual ball bearing
Insulation Resistance:	10M ohm between leadwire and frame (500 VDC)
Dielectric Strength:	1 second at 500 VAC, max leakage – 500 MicroAmp
Temperature Range:	-20 ~ +60 °C
Life (L10):	65, 000hours (45C)

Options:

- Tachometer – Open collector (GREEN)
- PWM Input (BLUE)