

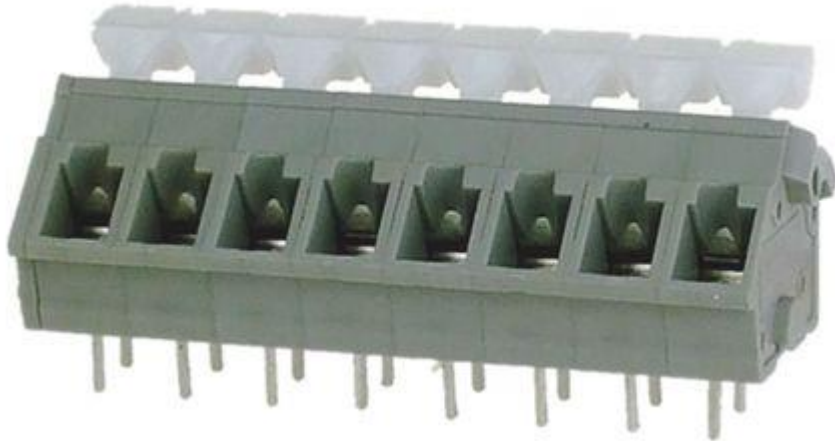


Datasheet

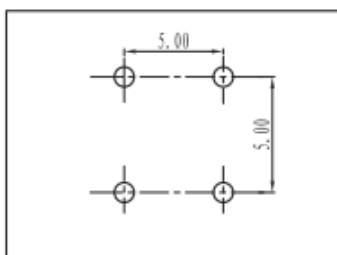
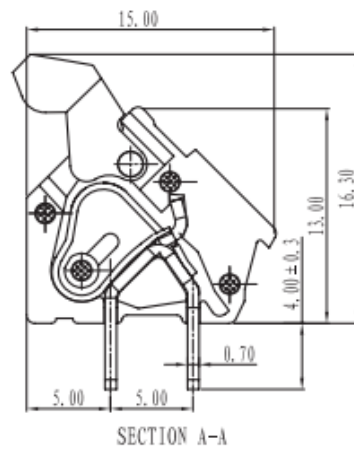
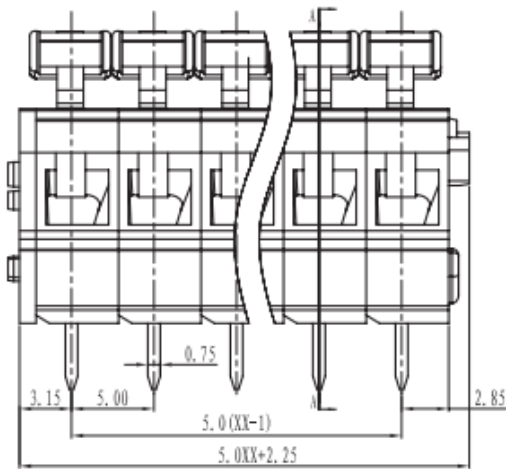
ENGLISH

New 5.0mm Screwless 15A 8 Way

RS Stock 874-5537



Dimensions: (mm)





ENGLISH

Specifications

- Rated Voltage: 300V 10A
- Insulation Withstands Voltage: AC 2000 V/ Min
- Insulation Resistance: $\geq 500\Omega\text{M}$ or more at DC500V
- Temperature Range: $-40^{\circ}\text{C} \sim +105^{\circ}\text{C}$
- Suitable Electric Wire: 26~14AWG
- Strip Length: 5-6mm
- Pitch: 5.0mm
- Poles: 1P – XXP

Materials

- Housing: PA66 / UL94V-0
- Wire Guard: Stainless Steel
- Pin Header: Brass / Tin Plated