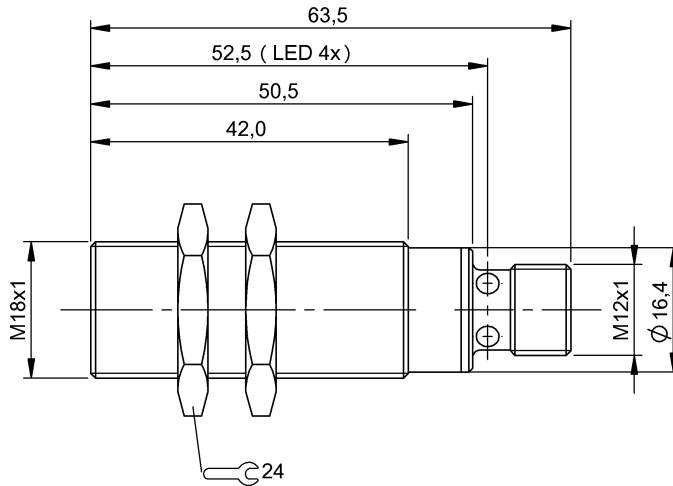


**BES M18MG1-PSC12B-S04G**  
**Ordering code: BES02Y9**

Inductive sensor  
 TripleProx  
 M18x63,5 mm  
 Long range

DC, direct current  
 PNP/Normally open (NO)  
 Sn= 12 mm  
 Quasi embeddable  
 ■■■

**BALLUFF**  
*sensors worldwide*



**Characteristic data**

Assured operating distance Sa	9,6
Eff. switching distance Sr	12 mm
Tolerance Sr	±10 %
Hysteresis H max. (in % of Sr)	10 %
Repeat accur. R max. (% of Sr)	5 %
Ambient temperature	-25...70 °C
Temp. drift max. (% of Sr)	10 %
Switching freq. f max.	500 Hz
Ready delay tv max.	50 ms
Utilisation category	DC 13
Function indicator	Yes
Power indicator	No
Short-circuit protected	Yes
Protected against polarity reversal	Yes
Protected against miswiring	Yes
Enclosure Type per IEC 60529	IP67
Principle of operation	Inductive

**Electrical data**

Operating voltage	10...30 V DC
Ripple max. (% of Ue)	20
Rated operating voltage Ue DC	24 V
Voltage drop static max.	2 V
Rated insulation voltage Ui	75 DC
Effective operating current Ie	200 mA
No-load current I0 damped max.	10 mA

Max. no-load cur. I0 undamped	10 mA
Off-state current Ir max.	100 µA
Minimum operating current Im	0 mA
Rated short circuit current	100 A
Output resistance Ra	47.0k
Load capacitance max. (at Ue)	1 µF

**Mechanical data**

Connection type	Connector
Connector type	M12x1-S04
Housing material	CuZn
Oberflächenschutz	Chrome-plated
Sensing surface material	PBT
Mounting length	42 mm
Shock rating	Shock, half-sinus, 30 gn, 11ms
Vibration rating	55 Hz, 1 mm ampl., 3x30 min
Degree of contamination	3
Tightening torque	25 Nm

**Basic data**

Basic standard	IEC 60947-5-2
----------------	---------------

**Remarks**

The sensor is functional again after the overload has been eliminated.  
 Quasi-shielded: See installation instructions for inductive sensors with extended switching distance 825356.  
 With connector, e.g. BKS-S 20-... total length = switch length +18 mm.



**BES M18MG1-PSC12B-S04G**  
**Ordering code: BES02Y9**

Inductive sensor  
TripleProx  
M18x63,5 mm  
Long range

DC, direct current  
PNP/Normally open (NO)  
Sn= 12 mm  
Quasi embeddable  
■■■

**BALLUFF**  
*sensors worldwide*

