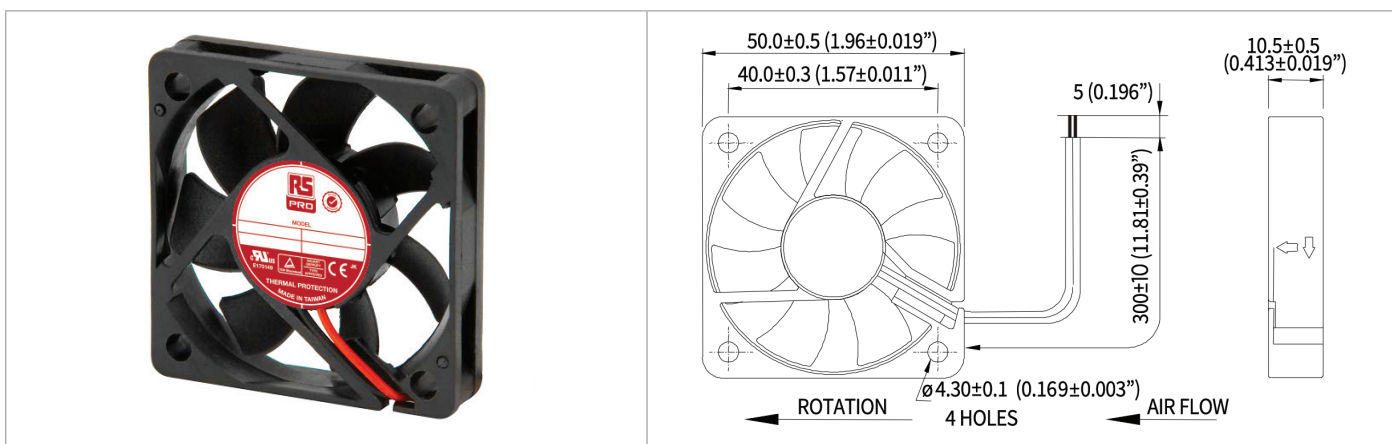




Datasheet

RS PRO DC Axial Fan 50×50×10mm, Sealed Sleeve

EN



Frame & Impeller	PBT, UL94V-0 plastic	<u>Available Options</u> Tachometer Alarm <u>Life Expectancy</u> 50,000 hrs Sealed Sleeve <u>Operating Temperature</u> -10C - 70C	
Connection	2x Lead wires (~290mm) 26AWG		
Motor	Brushless DC, auto restart, polarity protected		
Bearing System	Sealed sleeve		
Insulation Resistance	10M ohm between leadwire and frame (500VDC)		
Dielectric Strength	1 minute at 500 VAC, max leakage < 500 MicroAmp		

Model Number	Speed RPM	Airflow (CFM)	Noise (dB)	Volts DC	Input Power (Watts)	Amps	Max. Static Pressure ("H ₂ O)
7897867	5200	11	28	12	1.44	0.12	0.12