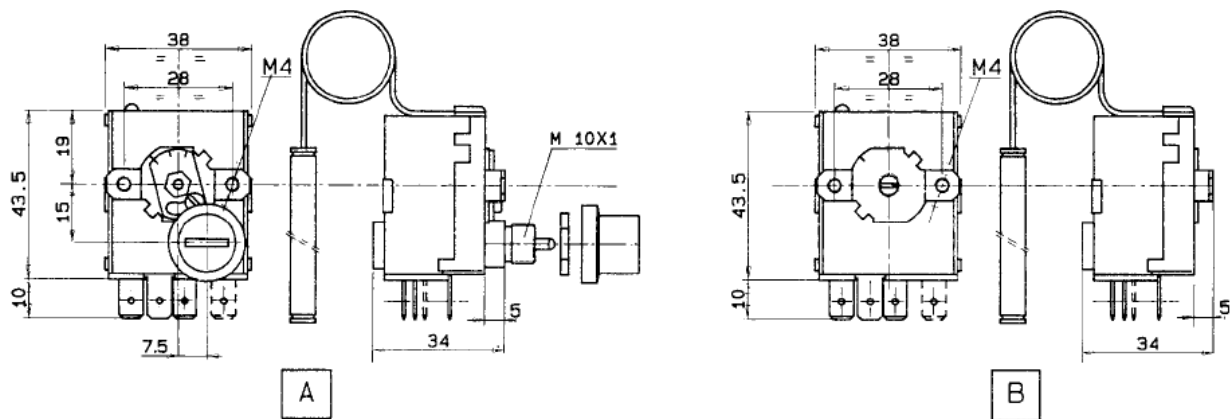


Datasheet

SPST Thermostat, +90°C +110°C

RS Stock number 733-4717



Thermostat, single pole, liquid filled type, temperature limiter with manual or automatic reset and positive cutoff safety in case of capillary breakage. Particularly suitable for central heatings, boilers, heating appliances and for all the applications where a max safety temperature is not to be exceeded.

- LS1 - Manual reset
- LS3 - Automatic reset

Cutoff contacts for temperature raising

Max. head temperature	100°C
Max. bulb temperature	125°C
Copper bulb	∅6,5x95 mm
Capillary length	1000 mm
Min. capillary bending radius	5 mm
Temperature rate of change	1°K/min

Code	541510
Adjustable limit temperature	90°/110°C
Tolerance	+0°/-6°K
Manual reset	
Contacts rating	15 (2,5)A 250V ~ 10A 400V ~
Contacts	Ag. 1000/1000
Code	541550
Fixed limit temperature	100°C
Tolerance	+0°/-6°K
Manual reset	
Contacts rating	15 (2,5)A 250 V ~ 10A 380 V ~
Contacts	Ag. 1000/1000
Code	541690
Fixed limit temperature	100°C
Tolerance	+0°/-6°K
Manual reset	
Contacts rating	15 (2,5)A 250 V ~
Contacts	Ag. 1000/1000
Contacts rating for warning purpose (c - 1)	0,5A 250 V ~
Code	541750
Fixed limit temperature	100°C
Tolerance	+0°/-6°K
Temperature differential	$\Delta t = 12^{\circ} \pm 3^{\circ}K$
Automatic reset	
Gold-plated contacts	Cu/Au
Contacts rating	0,3A 100 mV cc
Contact resistance	$\leq 10 \text{ m}\Omega$
Code	541752
Fixed limit temperature	100°C
Tolerance	+0°/-6°K
Temperature differential	$\Delta t = 12^{\circ} \pm 3^{\circ}K$
Automatic reset	
Gold-plated contacts	Cu/Au
Contacts rating	0,3A 100 mV cc
Bipolar cable	2x2,5 mm ² L = 800 mm
Code	541780
Adjustable limit temperature	90°/110°C
Tolerance	+0°/-6°K
Temperature differential	$\Delta t = 12^{\circ} \pm 3^{\circ}K$
Automatic reset	
Gold-plated contacts	Cu/Au
Contacts rating	0,3A 100 mV cc
Contact resistance	$\leq 10 \text{ m}\Omega$