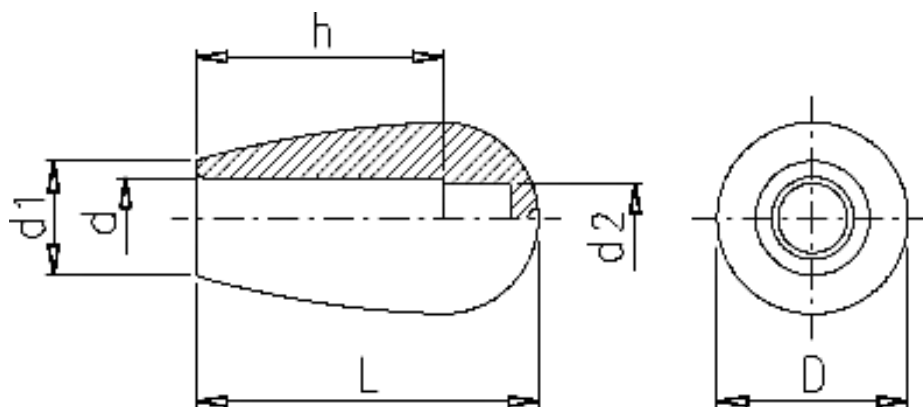


I.622 N

ELESA Original Design

Handles



Standard Elessa		Main dimensions			Mounting hole			Weight
Code	Description	D	L	d1	d	h	d2	grams
120941	I.622/25 -N6 nero	15	25	12	6	17	4	4
120946	I.622/25 -N6 rosso	15	25	12	6	17	4	4
120971	I.622/30 -N8 nero	20	32	14	8	21	6	7
120976	I.622/30 -N8 rosso	20	32	14	8	21	6	7
121021	I.622/40 -N8 nero	26	42	17	8	25	6	16
121026	I.622/40 -N8 rosso	26	42	17	8	25	6	16
121031	I.622/40 -N10 nero	26	42	17	10	30	7.5	14
121036	I.622/40 -N10 rosso	26	42	17	10	30	7.5	14

High-impact strength special [technopolymer](#), in black or red similar to RAL 3000 with bright finish. Resistant to solvents, oils, greases and other chemical agents.

Push-fit on plain shaft made from standard h9 tolerance bright drawn stock bars. Elastic coupling: the handle is not affected by vibrations and does not tend to loosen (see [technical data](#)).

On request and for sufficient quantities the handle can be supplied in various RAL colours.

Assembly instructions: carefully fit the handle onto slightly chamfered shaft-end and push as far as possible by hand; then tap the handle with plastic or wooden mallet until firmly in place.

ELESA models - all rights reserved in accordance with the law. Always mention the source when reproducing our drawings.

Copyright © 2000 - 2003 Elessa.