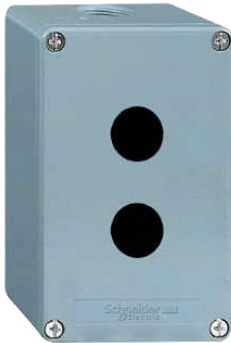


XAPM2202H29

die-cast empty control station - XAPM - Ø 22 - zinc alloy - 2 openings



Main

| | |
|-----------------------------|---|
| Range of product | Harmony XAP |
| Product or component type | Die-cast empty control station |
| Device short name | XAPM |
| Product destination | For Ø 22 mm control and signalling units |
| Product front plate size | 80 x 130 mm |
| Usable depth | 49 mm |
| Number of cut-out | 2 cut-outs |
| Colour of base of enclosure | Blue |
| Colour of cover | Blue |
| Material | Zinc alloy |
| Cable entry | 1 hole with blanking plug for ISO 429248 cable gland 20 mm 1 hole with blanking plug for ISO 429248 cable gland 20 mm 1 hole without blanking plug for ISO 429248 cable gland 20 mm |
| Device mounting | Flush |
| IP degree of protection | IP65 conforming to IEC 60529 IP69K IP69 conforming to NF C 20-010 |

Complementary

| | |
|-------------------------|---------|
| Number of vertical rows | 1 |
| Product weight | 0.61 kg |

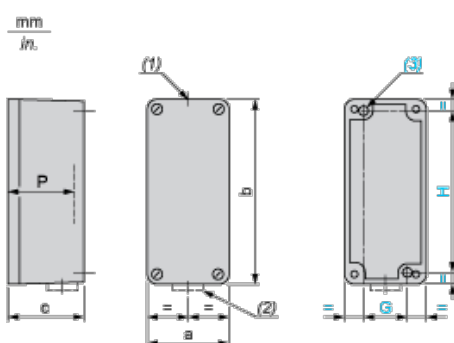
Environment

| | |
|---------------------------------------|--|
| protective treatment | TC |
| ambient air temperature for storage | -40...70 °C |
| ambient air temperature for operation | -40...70 °C |
| overvoltage category | Class I conforming to NF C 20-030 Class I conforming to IEC 60536 |

Contractual warranty

| | |
|-----------------|-----------|
| Warranty period | 18 months |
|-----------------|-----------|

Dimensions and Fixing



(1) 1 hole, without blanking plug, for cable gland with 14 mm/0.55 in. maximum clamping capacity

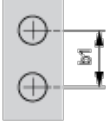
- (2) 1 hole, with blanking plug (protrusion 6 mm/0.23 in.), for cable gland with 14 mm/0.55 in. maximum clamping capacity
- (3) 2 x Ø 5.6 mm/0.22 in. holes, depth 20 mm/0.78 in.

P Usable depth

| a | | b | | c | | G | | H | | P | |
|----------|------|----------|------|----------|------|----------|------|----------|------|----------|------|
| mm | in. | mm | in. | mm | in. | mm | in. | mm | in. | mm | in. |
| 80 | 3.15 | 130 | 5.12 | 51.5 | 2.03 | 50 | 1.97 | 115 | 4.53 | 49 | 1.93 |

Refer to the product characteristics to get the number of cut-outs.

Cut-out interaxis dimensions



b1 Vertical interaxis: 40 mm/1.57 in.