


**Ordering number C11415\_STRADA-T-DN**

Family	Strada-T	FWHM	Asym degrees
Type	Lens	Efficiency	92 %
LED	LUXEON Rebel ES	cd/lm	-
Color	Clear	Gerber File	Available
Diameter	19.8 x 15.5 mm		
Height	8.75 mm		
Style	Rectang		
Optic Material	PMMA		
Holder Material	-		
Fastening	Screw, pin, glue		
Status	Ready		

**Ordering number CA11416\_STRADA-T-DN**

Family	Strada-T	FWHM	Asym degrees
Type	Assembly	Efficiency	92 %
LED	LUXEON Rebel ES	cd/lm	-
Color	Clear	Gerber File	Available
Diameter	19.8 x 15.5 mm		
Height	8.75 mm		
Style	Rectang		
Optic Material	PMMA		
Holder Material	-		
Fastening	Screw, pin, tape		
Status	Ready		

**NOTE: The typical divergence will be changed by different color, chip size and chip position tolerance. The typical total divergence is the full angle measured where the luminous intensity is half of the peak value.**



## PRODUCT DATASHEET

### Strada-T series

last update 14/11/2012

PHILIPS  
LUMILEDS

#### GENERAL INFORMATION

- Product series especially designed & optimized for LUXEON Rebel ES series of LEDs.
- Special care taken to make light distribution as uniform as possible.
- Lens material optical grade PMMA with high UV and temperature resistance. Allows use of high current and temperature conditions.

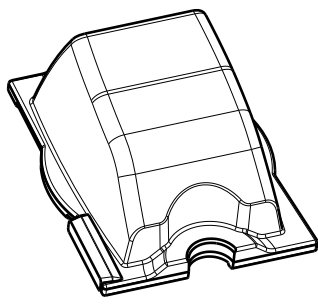
Please find more information about used material from below:

[http://ledil.fi/sites/default/files/Documents/Technical/Material/PMMA%20N%20UL94\\_Yellow%20Card.pdf](http://ledil.fi/sites/default/files/Documents/Technical/Material/PMMA%20N%20UL94_Yellow%20Card.pdf)

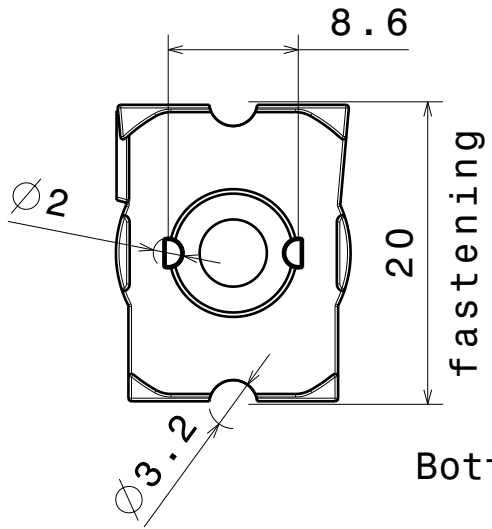
<http://ledil.fi/sites/default/files/Documents/Technical/Material/PMMA%20N%20PLEXIGLAS-Datasheet.pdf>

D C B A

4

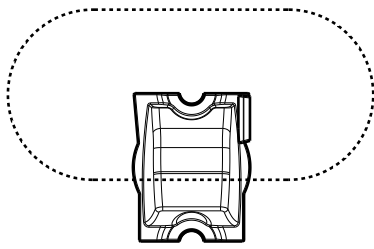


Isometric view

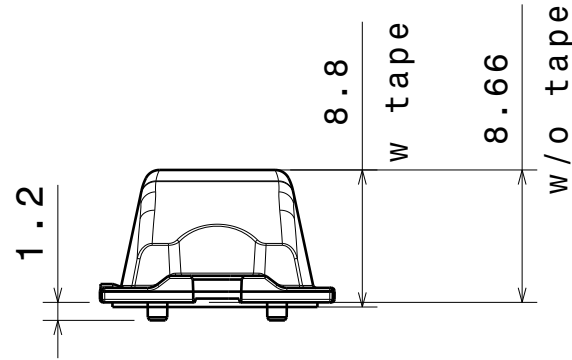


Bottom view

3

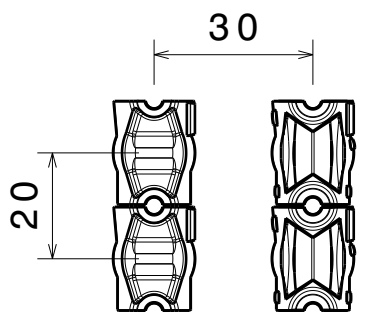


Beam direction

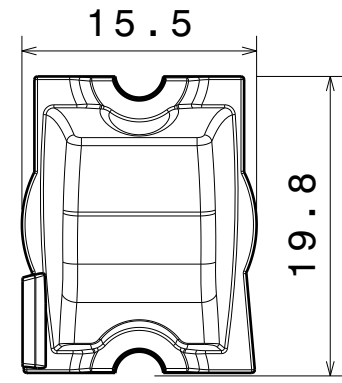


Front view

2



Strada lens arrangement recommendation




Top view

MATERIALS  
 Lens: PMMA  
 Tape(optional): PU Foam

Optical interface details are confidential and detail in this area may not reflect actual shape

1

1

This drawing is our property. It can't be reproduced or communicated without our written agreement.		 Ledil Oy Salorankatu 10 FIN-24100 SALO Finland		
DRAWING TITLE				
DRAWN BY ah	DATE 26.9.2012	<h2>Datasheet Strada-T-DN Lens</h2>		
CHECKED BY sn	DATE 26.9.2012			
DESIGNED BY hh	DATE 14.05.2010	SIZE A4	DRAWING NUMBER	REV 2
		SCALE 2:1	WEIGHT (g)	SHEET 1/1

D A