

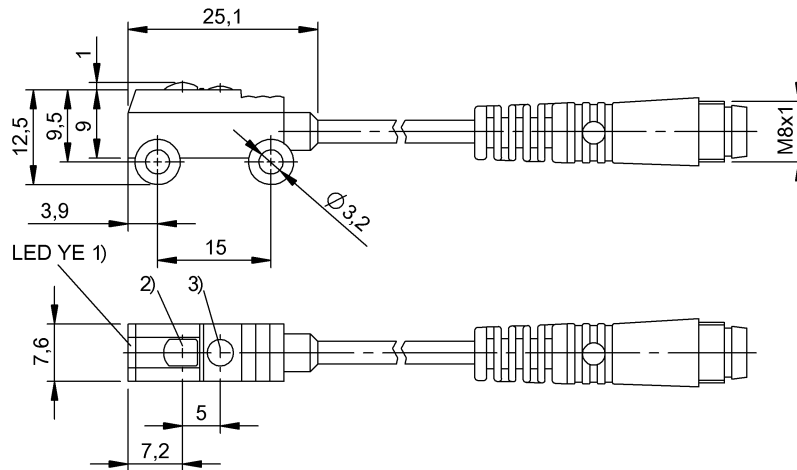
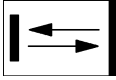
BOS 2K-PS-RD10-00,2-S49
Ordering code: BOS00ZW

Diffuse sensor
 Series 2K
 Working Range: 1...50 mm

PNP (1x), NO
 LED, red light
 DC, direct current

BALLUFF

sensors worldwide



1) Light reception/Limit range, 2) Optical axis receiver, 3) Optical axis emitter

Characteristic data

Operating voltage	10...30 V DC
Connection	Connector, M8x1-S49, 0,2m, PVC
Switching freq. f max.	800 Hz
Indicator	Limit range - LED YE, flash.
Short-circuit protected	yes
Protected against polarity reversal	yes
Enclosure Type per IEC 60529	IP67
Protection class	III

Optical data

Principle of optical operation	Light scanner, energetic
Switching function, optical	NO: light-on
Light spot size, typical	Ø3.5 mm at 50 mm
Light type	LED, red light
Wavelength	660 nm
Ambient light max.	5,000 Lux

Electrical data

Rated operating voltage Ue DC	24 V
Effective operating current Ie	50 mA
Rated insulation voltage Ui	50 V DC
Ripple max. (% of Ue)	20
Switching output	PNP (1x)
Switching function	NO
Turn-off delay toff max.	0,63 ms

Turn-on delay ton max.	0,63 ms
No-load current max. Io at Ue	20 mA
Voltage drop Ud max. (at Ie)	2,5 V

Mechanical data

Eff. switching distance Sr	50 mm
Capture range Sd	1...50 mm
Beam characteristic	Collimated
Range Sn	Sn = 50 mm
Minimum operating distance	1 mm
Connector type	M8x1-S49
Cable length	0,2 m
Cable jacket material	PVC
Sensing surface material	PMMA
Housing material	ABS
Mounting type	Screw M3
Design	Block, 90° connection
Ambient temperature	-20...50 °C

Basic data

Basic standard IEC 60947-5-2
 The sensor is functional again after the overload has been eliminated.
 Reference object (target): Gray card, 100 x 100 90 % remission, axial approach.
 For additional information, refer to user's guide.
 Order accessories separately.

BOS 2K-PS-RD10-00,2-S49
Ordering code: BOS00ZW

Diffuse sensor
Series 2K
Working Range: 1...50 mm

PNP (1x), NO
LED, red light
DC, direct current

BALLUFF
sensors worldwide

