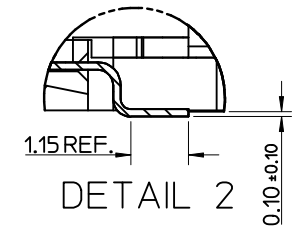
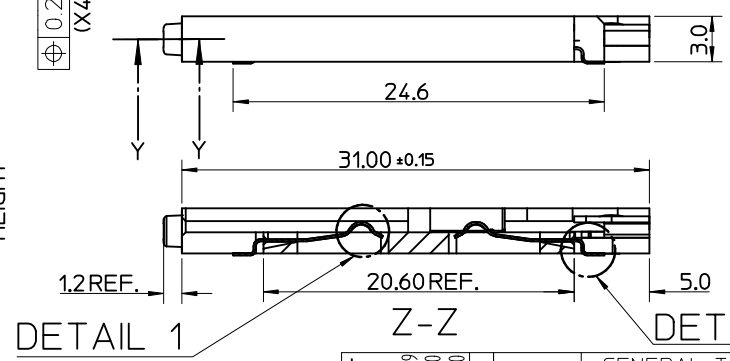
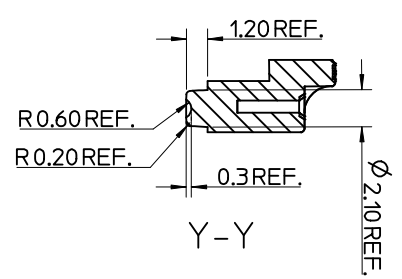
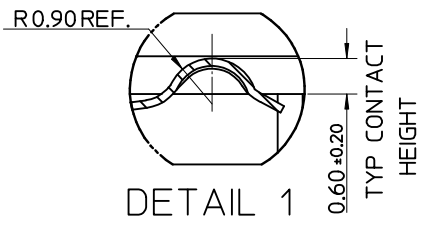


- NOTES:
1. SEE PRODUCT SPECIFICATION PS-99020-0071.
  2. PACKAGING: TAPE & REEL, FOR DETAIL SEE SDA-91228-9001, SHEET 1
  3. PUSH ROD/LEVER MUST NOT PROTRUDE BEYOND HOUSING EDGE IN THIS AREA.
  4. TAILS ON EACH SIDE OF CONNECTOR TO LIE WITHIN 0.12 mm OF EACH OTHER
  5. DATECODE: (YEAR, WEEK, WEEK, DAY, HOUR, HOUR)

ITEM	COMPONENT	QTY	MATERIAL
▽	HOUSING	1	LIQUID CRYSTAL POLYMER (LCP) 30% GLASS FILL, JL94 V-O, COLOUR: BLACK
▽	TERMINAL	8	0.15 PHOSPHOR BRONZE, 0.14µm MIN Au OVER Pd/Ni IN CONTACT AREA 2.54µm MIN Sn ON SMT TAILS
▽	PUSH BUTTON	1	GF POLYAMIDE 6T/66, YELLOW
▽	COIL SPRING	1	0.25 REF THK STAINLESS STEEL
▽	PUSH ROD	1	0.4 REF THK STAINLESS STEEL
▽	C-PIN	1	STEEL
▽	LEVER	1	0.4 REF THK STAINLESS STEEL



MOD TO BUTTON MAT  
EC NO: E2009-0597  
DRW: F DUGGAN  
CHKD: 2009/07/30  
APPR: EFOLAN  
2009/07/30

QUALITY SYMBOLS  
▽ = 0  
◻ = 0

GENERAL TOLERANCES (UNLESS SPECIFIED)

	mm	INCH
4 PLACES	± ---	± ---
3 PLACES	± ---	± ---
2 PLACES	± 0.05	± ---
1 PLACE	± 0.1	± ---

ANGULAR ± 2 °

DRAFT WHERE APPLICABLE MUST REMAIN WITHIN DIMENSIONS

DIMENSION STYLE  
MM ONLY

SCALE  
5:1

DESIGN UNITS  
METRIC

THIRD ANGLE PROJECTION

DRAWN BY  
RFORREY

DATE  
2006/11/27

CHECKED BY  
FDUGGAN

DATE  
2006/11/27

APPROVED BY  
EFOLAN

DATE  
2006/11/27

MATERIAL NO.  
912283001

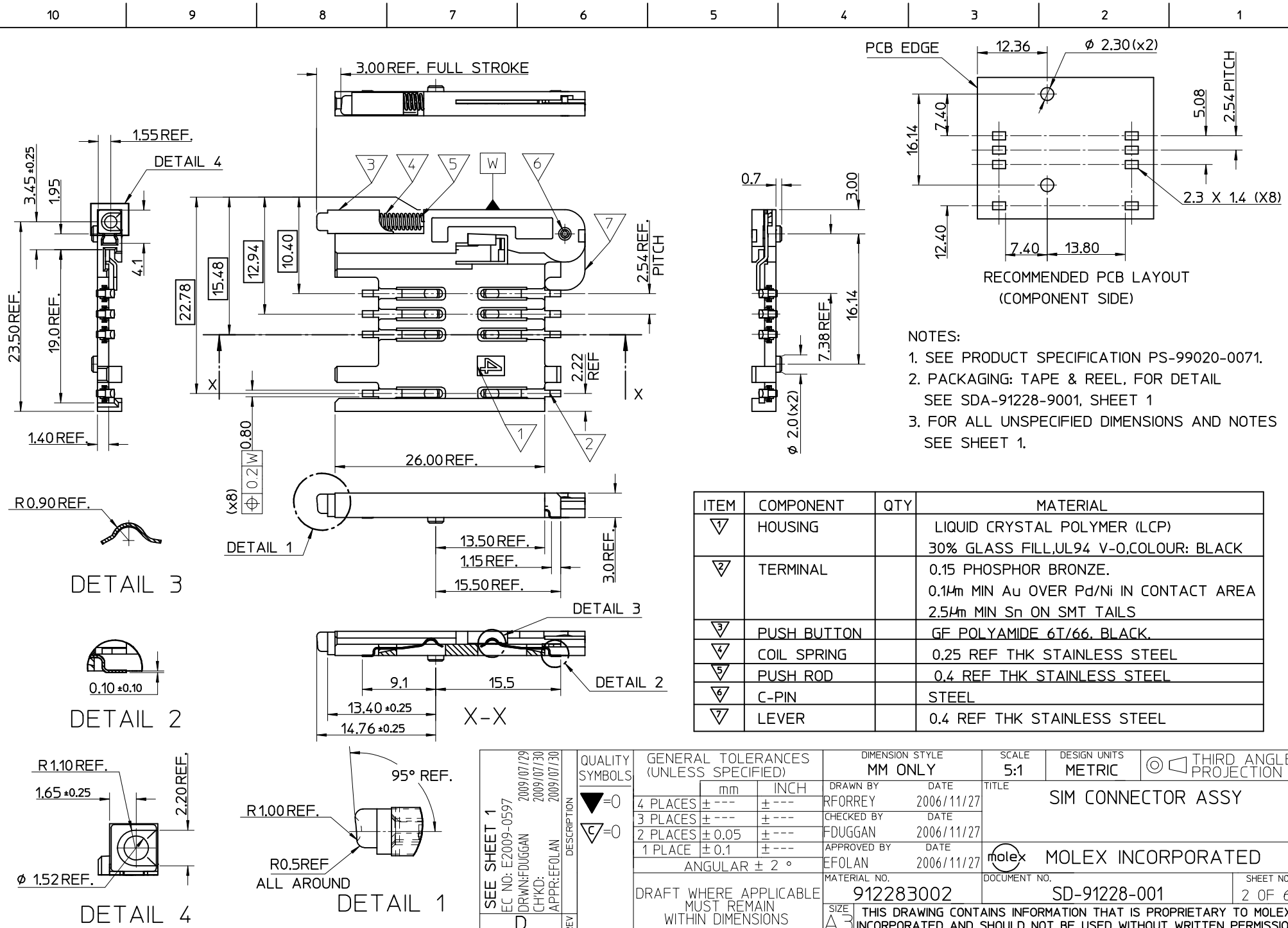
TITLE  
SIM CONNECTOR ASSY

MOLEX INCORPORATED

DOCUMENT NO.  
SD-91228-001

SHEET NO.  
1 OF 6

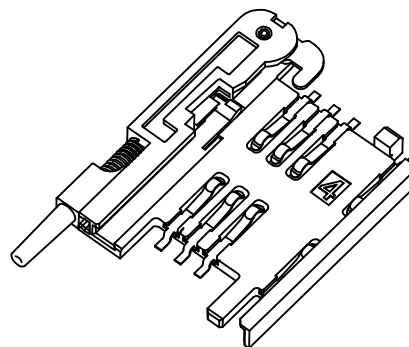
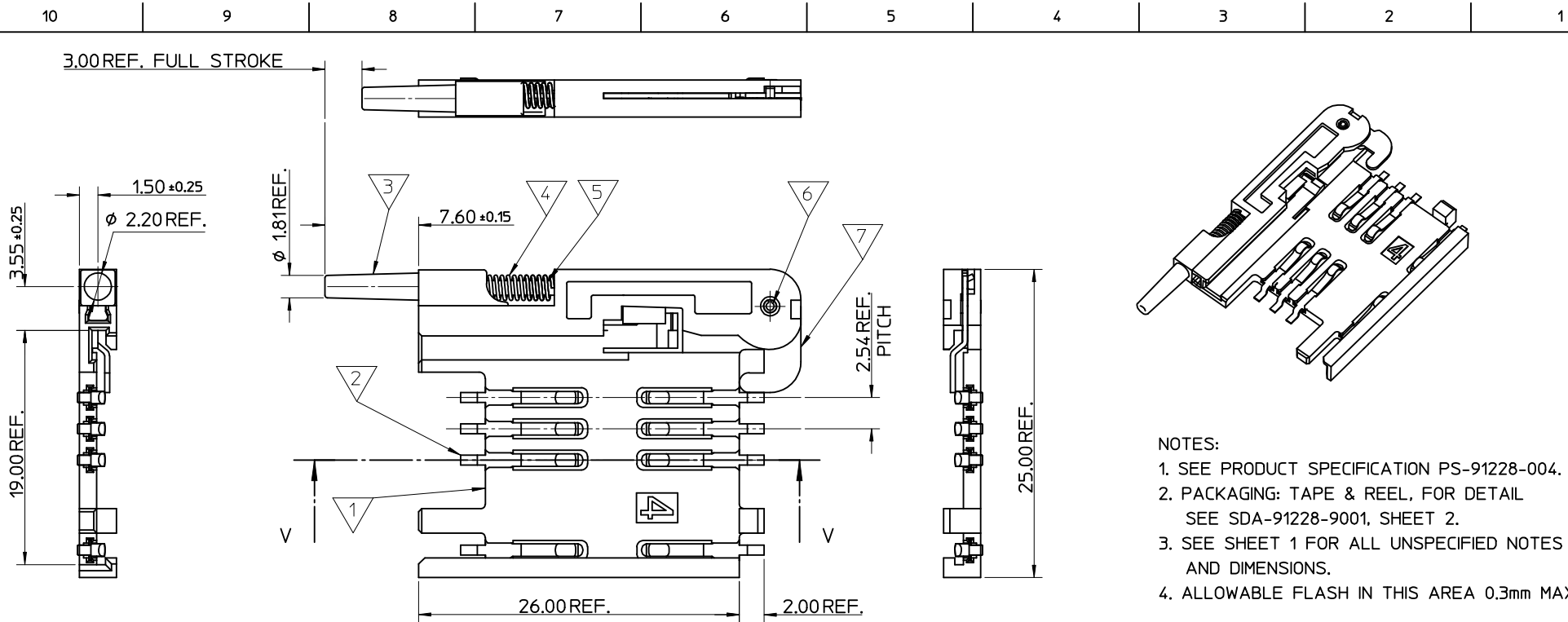
THIS DRAWING CONTAINS INFORMATION THAT IS PROPRIETARY TO MOLEX INCORPORATED AND SHOULD NOT BE USED WITHOUT WRITTEN PERMISSION



- NOTES:
1. SEE PRODUCT SPECIFICATION PS-99020-0071.
  2. PACKAGING: TAPE & REEL, FOR DETAIL SEE SDA-91228-9001, SHEET 1
  3. FOR ALL UNSPECIFIED DIMENSIONS AND NOTES SEE SHEET 1.

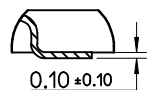
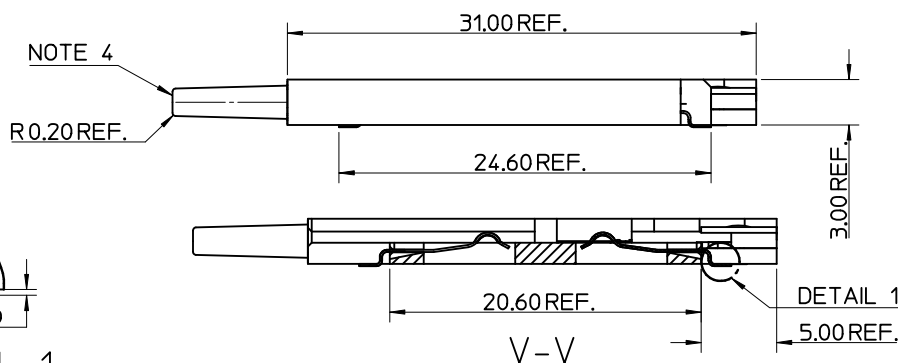
ITEM	COMPONENT	QTY	MATERIAL
▽	HOUSING		LIQUID CRYSTAL POLYMER (LCP) 30% GLASS FILL, UL94 V-0, COLOUR: BLACK
▽	TERMINAL		0.15 PHOSPHOR BRONZE. 0.14mm MIN Au OVER Pd/Ni IN CONTACT AREA 2.54mm MIN Sn ON SMT TAILS
▽	PUSH BUTTON		GF POLYAMIDE 6T/66, BLACK.
▽	COIL SPRING		0.25 REF THK STAINLESS STEEL
▽	PUSH ROD		0.4 REF THK STAINLESS STEEL
▽	C-PIN		STEEL
▽	LEVER		0.4 REF THK STAINLESS STEEL

SEE SHEET 1 EC NO: E2009-0597 DRW: F. DUGGAN CHKD: F. DUGGAN APPR: E. FOLAN	2009/07/29 2009/07/30 2009/07/30	QUALITY SYMBOLS ▽ = 0 ▽ = 0	GENERAL TOLERANCES (UNLESS SPECIFIED) mm    INCH 4 PLACES ± --- ± --- 3 PLACES ± --- ± --- 2 PLACES ± 0.05 ± --- 1 PLACE ± 0.1 ± --- ANGULAR ± 2°	DIMENSION STYLE MM ONLY DRAWN BY: RFORREY CHECKED BY: FDUGGAN APPROVED BY: EFOLAN MATERIAL NO. 912283002	DATE: 2006/11/27 DATE: 2006/11/27 DATE: 2006/11/27	SCALE: 5:1 DESIGN UNITS: METRIC THIRD ANGLE PROJECTION	TITLE: SIM CONNECTOR ASSY MOLEX INCORPORATED DOCUMENT NO. SD-91228-001	SHEET NO. 2 OF 6
	D REV	DESCRIPTION	DRAFT WHERE APPLICABLE MUST REMAIN WITHIN DIMENSIONS	SIZE: A3 THIS DRAWING CONTAINS INFORMATION THAT IS PROPRIETARY TO MOLEX INCORPORATED AND SHOULD NOT BE USED WITHOUT WRITTEN PERMISSION				



NOTES:

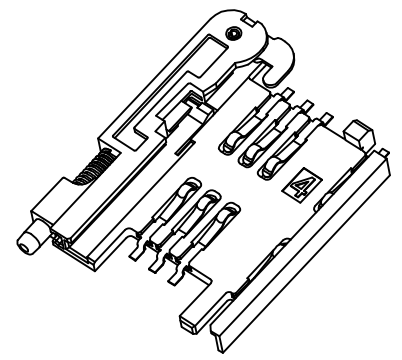
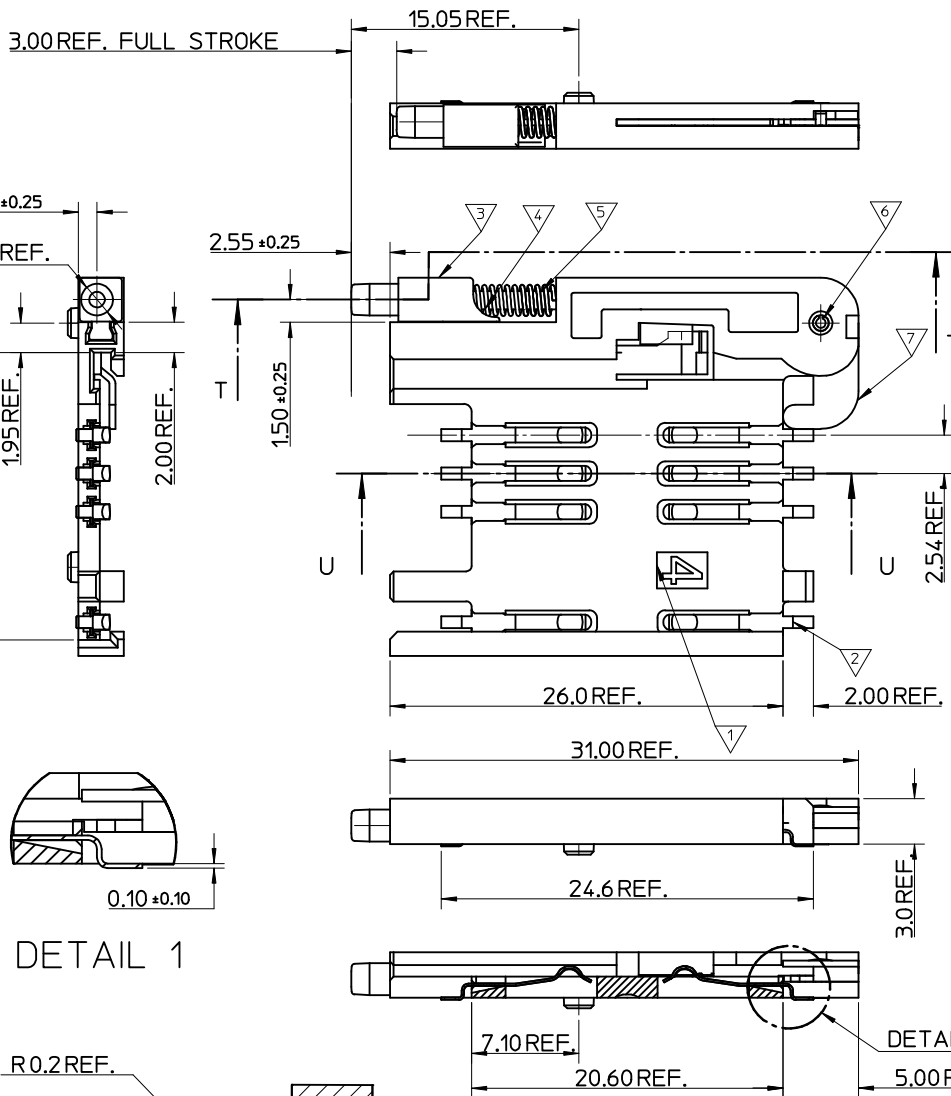
1. SEE PRODUCT SPECIFICATION PS-91228-004.
2. PACKAGING: TAPE & REEL, FOR DETAIL SEE SDA-91228-9001, SHEET 2.
3. SEE SHEET 1 FOR ALL UNSPECIFIED NOTES AND DIMENSIONS.
4. ALLOWABLE FLASH IN THIS AREA 0.3mm MAX.



DETAIL 1

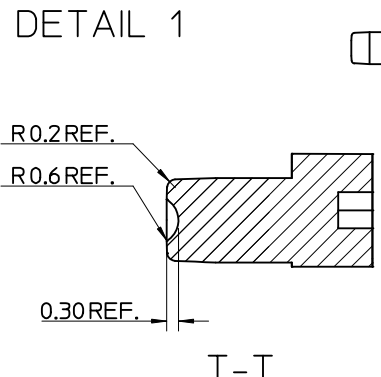
ITEM	COMPONENT	QTY	MATERIAL
1	HOUSING	1	LIQUID CRYSTAL POLYMER (LCP) 30% GLASS FILL, UL94 V-0, COLOUR: BLACK
2	TERMINAL	8	0.15 PHOSPHOR BRONZE. 0.14μm MIN Au OVER Pd/Ni IN CONTACT AREA 2.54μm MIN Sn ON SMT TAILS
3	PUSH BUTTON	1	GF POLYAMIDE 6T/66, NATURAL
4	COIL SPRING	1	0.25 REF THK STAINLESS STEEL
5	PUSH ROD	1	0.4 REF THK STAINLESS STEEL
6	C-PIN	1	STEEL
7	LEVER	1	0.4 REF THK STAINLESS STEEL

SEE SHEET 1 EC NO: E2009-0597 DRWN: FDUGGAN CHKD: APPR: EFOLAN	2009/07/29 2009/07/30 2009/07/30	DESCRIPTION REV	QUALITY SYMBOLS	GENERAL TOLERANCES (UNLESS SPECIFIED)	DIMENSION STYLE	SCALE	DESIGN UNITS	THIRD ANGLE PROJECTION
			$\nabla = 0$ $\nabla C = 0$	mm    INCH 4 PLACES ± --- ± --- 3 PLACES ± --- ± --- 2 PLACES ± 0.05 ± --- 1 PLACE ± 0.1 ± ---	MM ONLY	5:1	METRIC	
			ANGULAR ± 2°	DRAWN BY: RFORREY    DATE: 2006/11/27 CHECKED BY:    DATE: APPROVED BY:    DATE: 2006/11/27 MATERIAL NO.	TITLE: SIM CONNECTOR ASSY MOLEX INCORPORATED	SHEET NO. 3 OF 6		
			DRAFT WHERE APPLICABLE MUST REMAIN WITHIN DIMENSIONS	912283005 SD-91228-001	THIS DRAWING CONTAINS INFORMATION THAT IS PROPRIETARY TO MOLEX INCORPORATED AND SHOULD NOT BE USED WITHOUT WRITTEN PERMISSION			

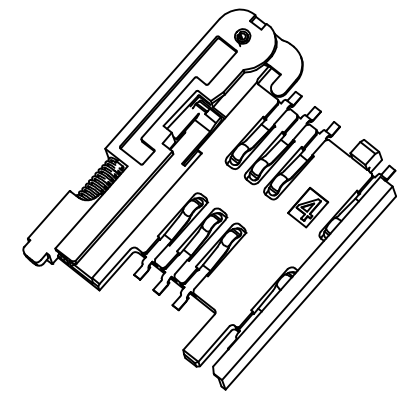
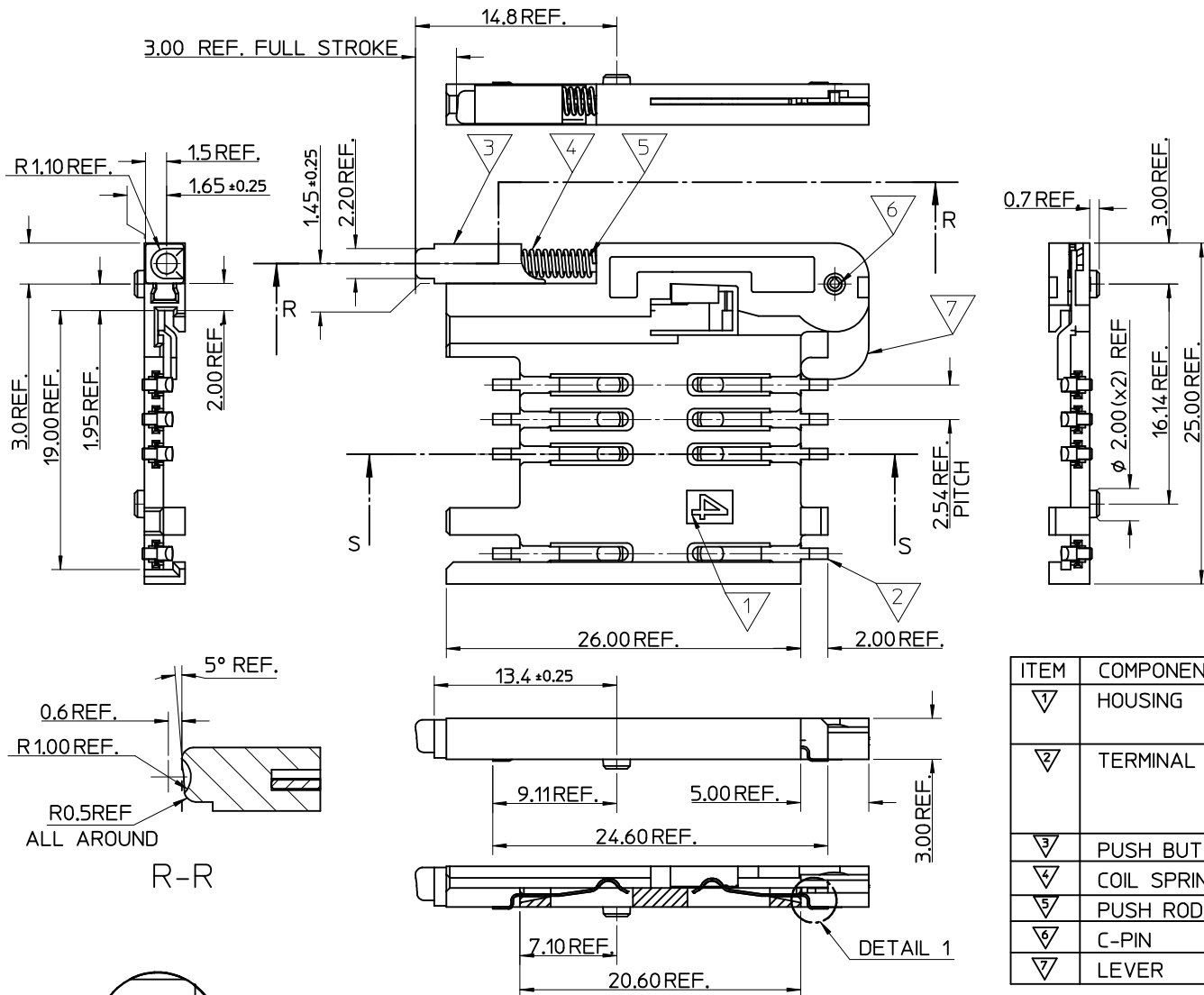


- NOTES:
1. SEE PRODUCT SPECIFICATION PS-99020-0071.
  2. PACKAGING: TAPE & REEL, FOR DETAIL SEE SDA-91228-9001, SHEET 2.
  3. SEE SHEETS 1 & 2 FOR ALL UNSPECIFIED NOTES AND DIMENSIONS.

ITEM	COMPONENT	QTY	MATERIAL
▽	HOUSING	1	LIQUID CRYSTAL POLYMER (LCP) 30% GLASS FILL, UL94 V-0, COLOUR: BLACK
▽	TERMINAL	8	0.15 PHOSPHOR BRONZE. 0.14m MIN Au OVER Pd/Ni IN CONTACT AREA 2.54m MIN Sn ON SMT TAILS
▽	PUSH BUTTON	1	GF POLYAMIDE 6T/66, BLACK.
▽	COIL SPRING	1	0.25 REF THK STAINLESS STEEL
▽	PUSH ROD	1	0.4 REF THK STAINLESS STEEL
▽	C-PIN	1	STEEL
▽	LEVER	1	0.4 REF THK STAINLESS STEEL

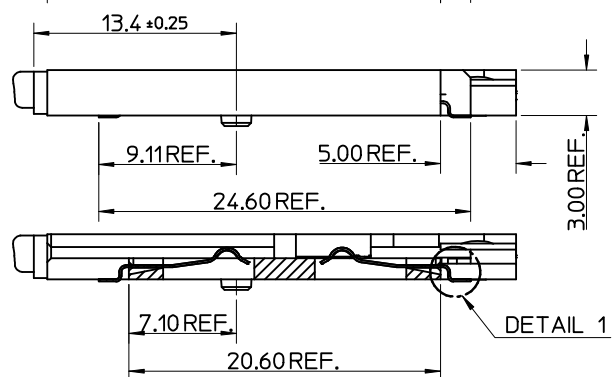
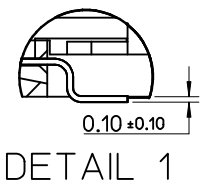
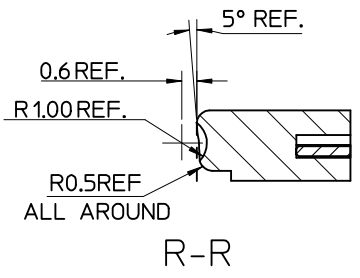


SEE SHEET 1 EC NO: E2009-0597 DRWN: FUGGAN CHKD: APPR: EFOLAN	2009/07/29 2009/07/30 2009/07/30	QUALITY SYMBOLS ▽=0 ◻=0	GENERAL TOLERANCES (UNLESS SPECIFIED)		DIMENSION STYLE	SCALE	DESIGN UNITS	THIRD ANGLE PROJECTION		
					MM ONLY	5:1	METRIC	◻		
			4 PLACES	± ---	± ---	DRAWN BY	DATE	TITLE		
			3 PLACES	± ---	± ---	FORREY	2006/11/27	SIM CONNECTOR ASSY		
2 PLACES	± 0.05	± ---	CHECKED BY	DATE	MATERIAL NO.					
1 PLACE	± 0.1	± ---	FUGGAN	2006/11/27	DOCUMENT NO.					
ANGULAR ± 2 °			APPROVED BY	DATE	MOLEX INCORPORATED					
			EFOLAN	2006/11/27	912283006 SD-91228-001					
DRAFT WHERE APPLICABLE MUST REMAIN WITHIN DIMENSIONS			SIZE	THIS DRAWING CONTAINS INFORMATION THAT IS PROPRIETARY TO MOLEX INCORPORATED AND SHOULD NOT BE USED WITHOUT WRITTEN PERMISSION						
			A3	4 OF 6						



- NOTES:
1. SEE PRODUCT SPECIFICATION PS-99020-0071.
  2. PACKAGING: TAPE & REEL, FOR DETAIL SEE SDA-91228-9001, SHEET 1.
  3. SEE SHEET 1 FOR ALL UNSPECIFIED NOTES AND DIMENSIONS.

ITEM	COMPONENT	QTY	MATERIAL
▽	HOUSING	1	LIQUID CRYSTAL POLYMER (LCP) 30% GLASS FILL, UL94 V-0, COLOUR: BLACK
▽	TERMINAL	8	0.15 PHOSPHOR BRONZE. 0.14mm MIN Au OVER Pd/Ni IN CONTACT AREA 2.54mm MIN Sn ON SMT TAILS
▽	PUSH BUTTON	1	GF POLYAMIDE 6T/66, BLUE
▽	COIL SPRING	1	0.25 REF THK STAINLESS STEEL
▽	PUSH ROD	1	0.4 REF THK STAINLESS STEEL
▽	C-PIN	1	STEEL
▽	LEVER	1	0.4 REF THK STAINLESS STEEL

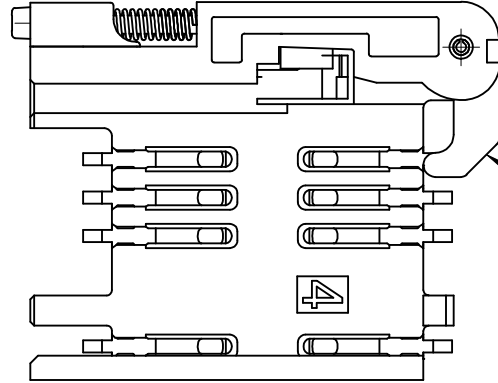
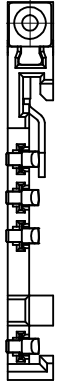
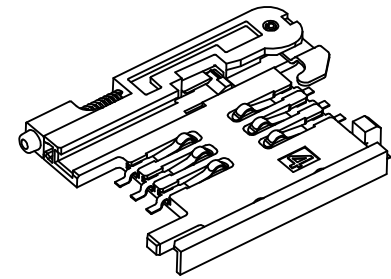
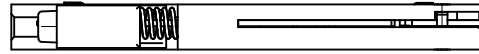


SEE SHEET 1	DESCRIPTION
EC NO: E2009-0597	2009/07/29
DRWN: FDUGGAN	2009/07/29
CHKD:	
APPR: EFOLAN	2009/07/30

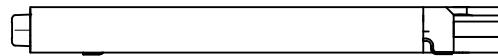
QUALITY SYMBOLS	DESCRIPTION
▽=0	
◻=0	

GENERAL TOLERANCES (UNLESS SPECIFIED)	DIMENSION STYLE	SCALE	DESIGN UNITS	THIRD ANGLE PROJECTION
	MM ONLY	5:1	METRIC	
4 PLACES ± ---	DRAWN BY	DATE	TITLE	
3 PLACES ± ---	RFORREY	2006/11/27	SIM CONNECTOR ASSY	
2 PLACES ± 0.05	CHECKED BY	DATE		
1 PLACE ± 0.1	FDUGGAN	2006/11/27		
	APPROVED BY	DATE		
	EFOLAN	2006/11/27		
	ANGULAR ± 2 °			
DRAFT WHERE APPLICABLE MUST REMAIN WITHIN DIMENSIONS	MATERIAL NO.	DOCUMENT NO.	SHEET NO.	
	912283007	SD-91228-001	5 OF 6	

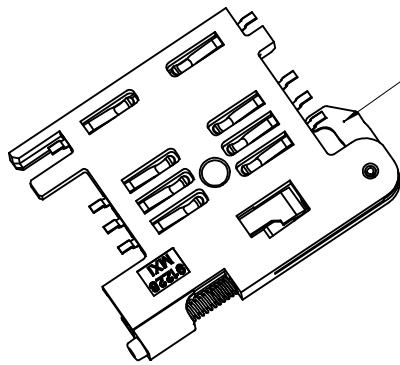
SIZE	THIS DRAWING CONTAINS INFORMATION THAT IS PROPRIETARY TO MOLEX INCORPORATED AND SHOULD NOT BE USED WITHOUT WRITTEN PERMISSION
A3	



NOTE 4



NOTE 6  
BLACK COLOUR  
THIS FACE

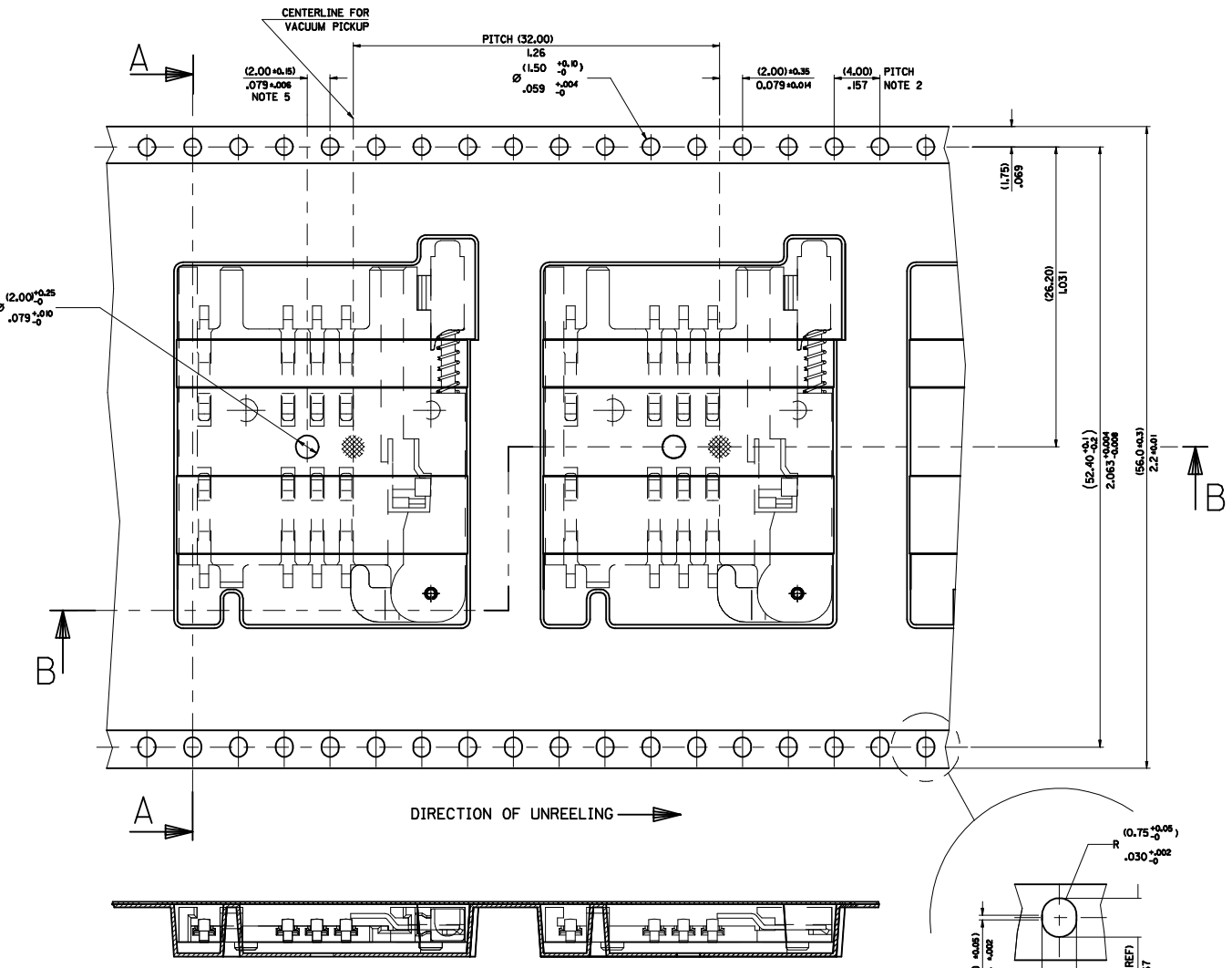
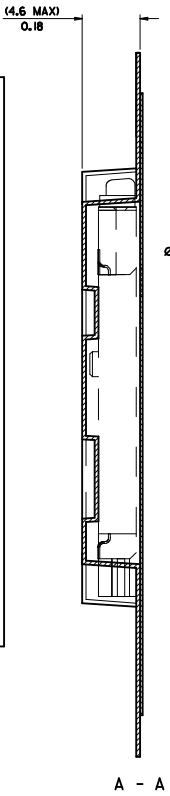
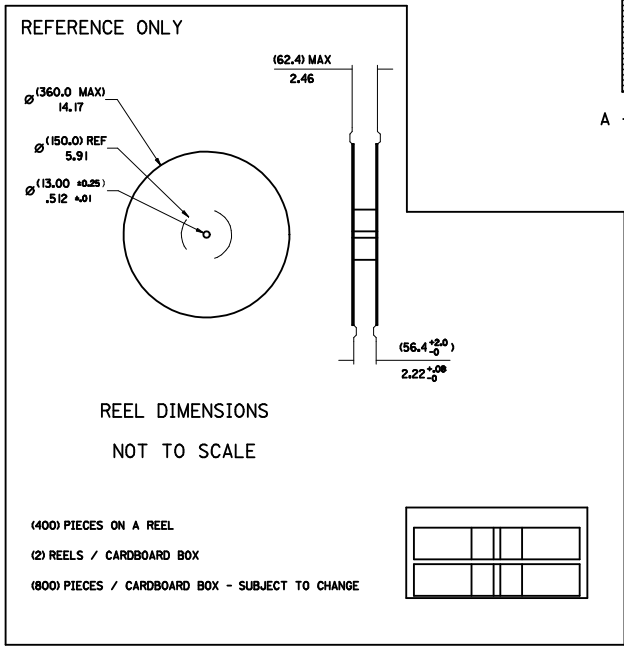
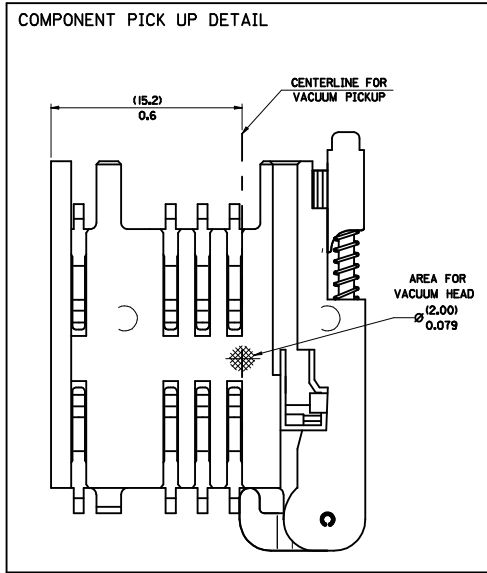


NOTES:

1. SEE PRODUCT SPECIFICATION PS-91228-016
2. PACKAGING: TAPE & REEL, FOR DETAIL SEE SDA-91228-9001, SHEET 1
3. FOR ALL UNSPECIFIED DIMENSIONS AND NOTES SEE SHEET 1.
4. 5mm EJECTOR LEVER
5. CARD HOLDER EJECTION DISTANCE: 5.0±0.3mm
6. LEVER FACE TO BE COLOURED BLACK WITH ALCOHOL BASED INK.

SEE SHEET 1 EC NO: E2009-0597 DRWN:FDUGGAN 2009/07/29 CHKD: 2009/07/30 APPR:EFOLAN 2009/07/30	DESCRIPTION REV	QUALITY SYMBOLS	GENERAL TOLERANCES (UNLESS SPECIFIED)		DIMENSION STYLE MM ONLY		SCALE 3:1	DESIGN UNITS METRIC	THIRD ANGLE PROJECTION	
		▽=0 ◻=0	mm	INCH	DRAWN BY RFORREY	DATE 2006/11/27	TITLE SIM CONNECTOR ASSY			
			4 PLACES ± ---	± ---	CHECKED BY FDUGGAN	DATE 2006/11/27				
			3 PLACES ± ---	± ---	APPROVED BY EFOLAN	DATE 2006/11/27				
	2 PLACES ± 0.05	± ---	MATERIAL NO. 912283016		DOCUMENT NO. SD-91228-001		SHEET NO. 6 OF 6			
	1 PLACE ± 0.1	± ---	DRAFT WHERE APPLICABLE MUST REMAIN WITHIN DIMENSIONS							
		ANGULAR ± 2 °		THIS DRAWING CONTAINS INFORMATION THAT IS PROPRIETARY TO MOLEX INCORPORATED AND SHOULD NOT BE USED WITHOUT WRITTEN PERMISSION						

PART NO	DESCRIPTION
91228-0001 & 91228-3001	SIM CONNECTOR WITHOUT PEGS
91228-0002 & 91228-3002	SIM CONNECTOR WITH PEGS
91228-0012 & 91228-3012	SIM CONNECTOR WITH PEGS
91228-0007 & 91228-3007	SIM CONNECTOR WITH PEGS



- NOTES:**
- 1) MATERIAL :  
CARRIER TAPE : VOLUME CONDUCTIVE POLYSTYRENE, 0.40 REF THICK, BLACK  
COVER TAPE : COLD SEAL POLYESTER, 0.08 REF THICK TRANSPARENT
  - 2) PITCH TOLERANCE OVER ANY 10 PITCHES ± 0.2 MM
  - 3) PEEL FORCE OF THE COVER TAPE IS 0.1 N TO 1.0 N  
AT A MAXIMUM REEL SPEED OF 300 MM/MIN ± 10%
  - 4) PACKAGING SPEC, PK-91228-002
  - 5) REFERENCE TO IEC 286-3 EXCEPT WHERE NOTED

MOD REV. LEVELS	EC NO: E2009-0200	2009/01/13
	DRWING: CARTON	2009/01/14
	CHKD: APPR: EFO LAN	2009/01/15
	REV	DESCRIPTION

QUALITY SYMBOLS	GENERAL TOLERANCES (UNLESS SPECIFIED)	
	mm	INCH
▽=0	4 PLACES ± --- ± ---	---
▽=0	3 PLACES ± --- ± ---	---
	2 PLACES ± 0.10 ± ---	---
	1 PLACE ± 0.20 ± ---	---
	ANGULAR ± 2 °	

DIMENSION STYLE		SCALE	DESIGN UNITS	THIRD ANGLE PROJECTION
MM/IN		1:1	METRIC	<input checked="" type="checkbox"/>
DRAWN BY	DATE	TITLE		
DMAHER	2006/12/07	BLISTER PACKAGING		
CHECKED BY	DATE	SIM CARD PCB HOUSING		
FUGGAN	2006/12/07			
APPROVED BY	DATE			
EFO LAN	2006/12/07			
MATERIAL NO.	DOCUMENT NO.			
SEE CHART	SDA-91228-9001			

MATERIAL NO.		DOCUMENT NO.		SHEET NO.	
SEE CHART		SDA-91228-9001		1 OF 4	
THIS DRAWING CONTAINS INFORMATION THAT IS PROPRIETARY TO MOLEX INCORPORATED AND SHOULD NOT BE USED WITHOUT WRITTEN PERMISSION					

4	D
3	C
2	C
1	B