

3477UFR125P30-13 (Blue)

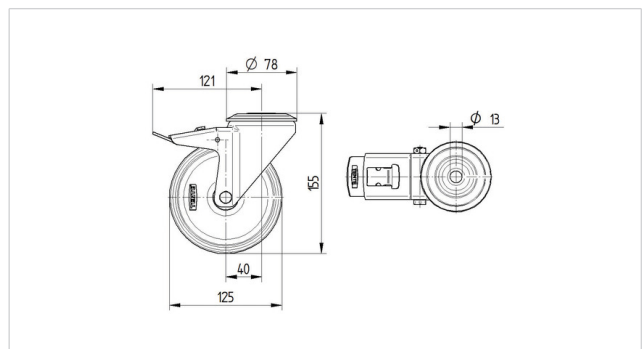
EAN 4031582423235

Swivel castor with total lock, tail end of castor, housing made of pressed steel, bright zinc plated, blue passivated, double ball bearing swivel head, wheel axle with nut, bolt hole. Wheel centre made of Polyamide, Tread: elastic-tyre, non-marking, roller bearing

Technical Data

Wheel diameter	125 mm
Width of Tread	40 mm
Centre hole	13 mm
Offset	40 mm
Swivel Interference	242 mm
Overall height	155 mm
Temperature	- 20 / + 80 °C
Standard	EN 12532
Weight	1.262 kg
Swivel Radius	121 mm
Hardness of tread	Shore A 64
Load capacity	160 kg
Load capacity (static)	320 kg

Roll performance	+	+	+	+	+
Movement noise	+	+	+	+	+
Attrition	+	+	+	+	+
Corrosion resistance	+	+	+	+	+



Product Information



3477UFR125P30-13 (Blue)

EAN 4031582423235

