

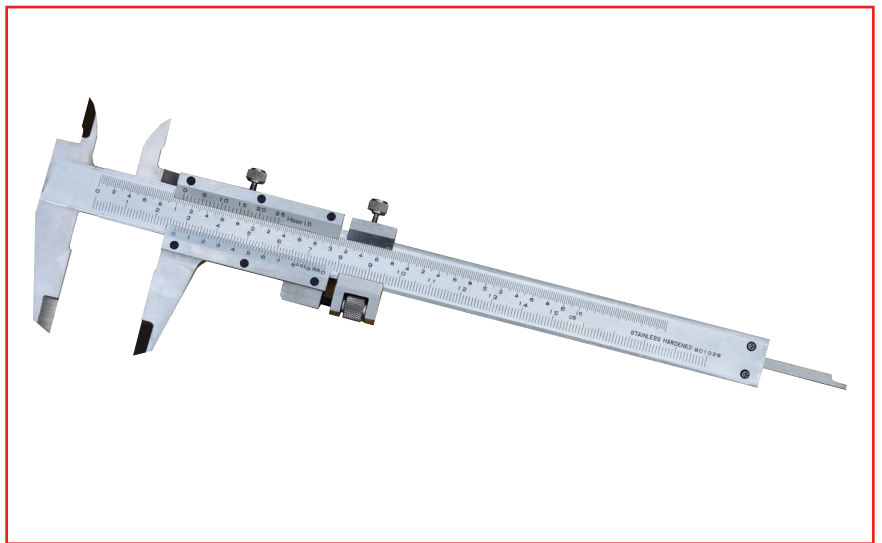


ENGLISH

# Datasheet

## RS Pro Vernier Caliper Fine Adj style

RS Stock No: 841-2533



### Specifications:

Hardened stainless steel body with Satin chrome finish

Depth Rod

Four-way measurement:

Raised sliding surface to prevent wear to scale

Range: 300mm/12"

Metric Grads: 0.02mm

Inch Grads: 0.001"

Accuracy External Jaws:  $\pm 0.04$ mm

Accuracy Internal Jaws & Depth Rod:  $\pm 0.084$ mm

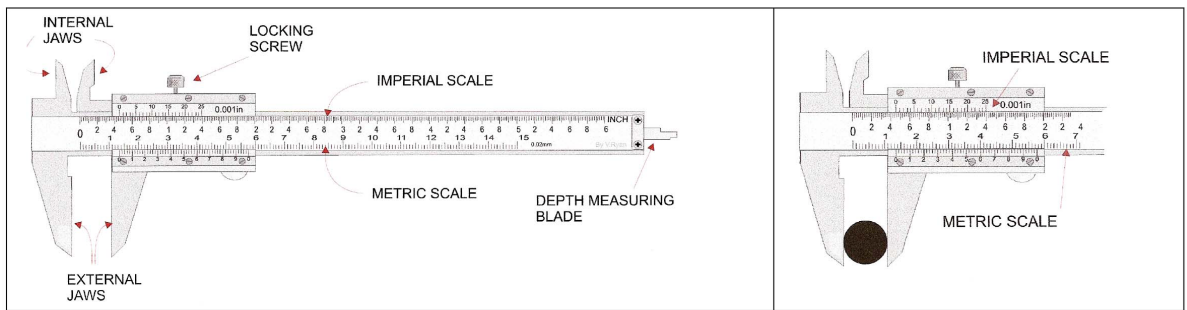
External Jaw Length: 63mm

Internal Jaw Length: 20mm

Order Code	Manufacturers Code	Description
841-2533	51-100-012	Vernier Caliper Thumb Lock Style

# Datasheet

## RS Pro Vernier Caliper Thumb Lock style



<p><b>Example 1:</b></p> $19 + 32 \times 0.02$ $19 + 0.64$ $19.64 = \text{Correct reading}$	<p><b>Example 2:</b></p> $13 + 21 \times 0.02$ $13 + 0.42$ $13.42 = \text{Correct reading}$
---	---